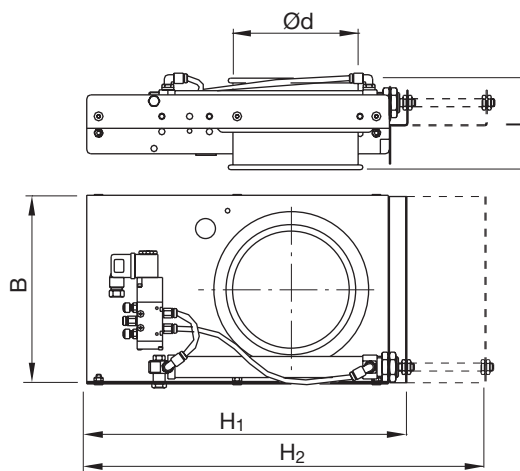


# Sliding damper – pneumatic

# SKPTR



## Dimensions



## Description

### Pneumatic shut-off sliding damper with transfer joint

The damper meets the requirements for tightness class 4 at pressure class C.

The damper meets the requirements for tightness class C only in fully closed or fully opened position.

Pressurized air cylinder with mounted regulation valve is included.

There is a separate assembly, measuring, balancing and maintenance instruction for this product.

SPZZ pinch protection available as accessories to dimension 80–200.

## Technical data

### Cylinder

Power pressure, normal ..... 0,6 MPa (6 bar)  
 ..... , max 1,0 MPa (10 bar)  
 Ambient temperature range ..... -20 °C (dry air) to +80 °C  
 Working fluid ..... Air, clean and dry

### Solenoid valve

Power pressure ..... max 7 bar  
 Ambient temperature ..... max +50 °C  
 Power supply, standard ..... 230 V~  
 ..... , special 24 V~ or 24 V-  
 Power tolerance ..... ±10 %  
 Power requirements ..... appr. 5 W  
 Protection class ..... IP 65  
 Insulation class ..... F  
 Air connection ..... Quick release for Ø 6 mm hose

## Ordering example

Product code SKPTR 200  
 Dimension Ød

Ød nom	H <sub>1</sub> mm	H <sub>2</sub> mm	B mm	l mm	m kg
80	223	338	157	125	3,00
100	263	398	177	125	3,30
125	314	475	202	125	4,00
140	363	548	227	125	5,00
150	363	548	227	125	5,00
160	383	574	237	125	5,20
180	463	699	277	125	6,20
200	463	699	277	125	6,20
224 *	562	847	347	165	11,3
250 *	562	849	371	165	13,5
300 *	692	1050	422	165	20,1
315 *	692	1050	422	165	21,1
350 *	763	1160	472	165	25,0
400 *	863	1310	522	165	27,4

\* Provided with 2 pneumatic cylinders

## Accessories and spare parts

### Art.

SPDA-01 Solenoid valve, complete  
 SPDA-021 Coil for solenoid valve 24 V DC  
 SPDA-022 Coil for solenoid valve 24 V AC  
 SPDA-06 Micro switch  
 SPDA-07 Support for micro switch  
 SPDA-08 Sensor cylinder  
 SPDA-09 Support for sensor