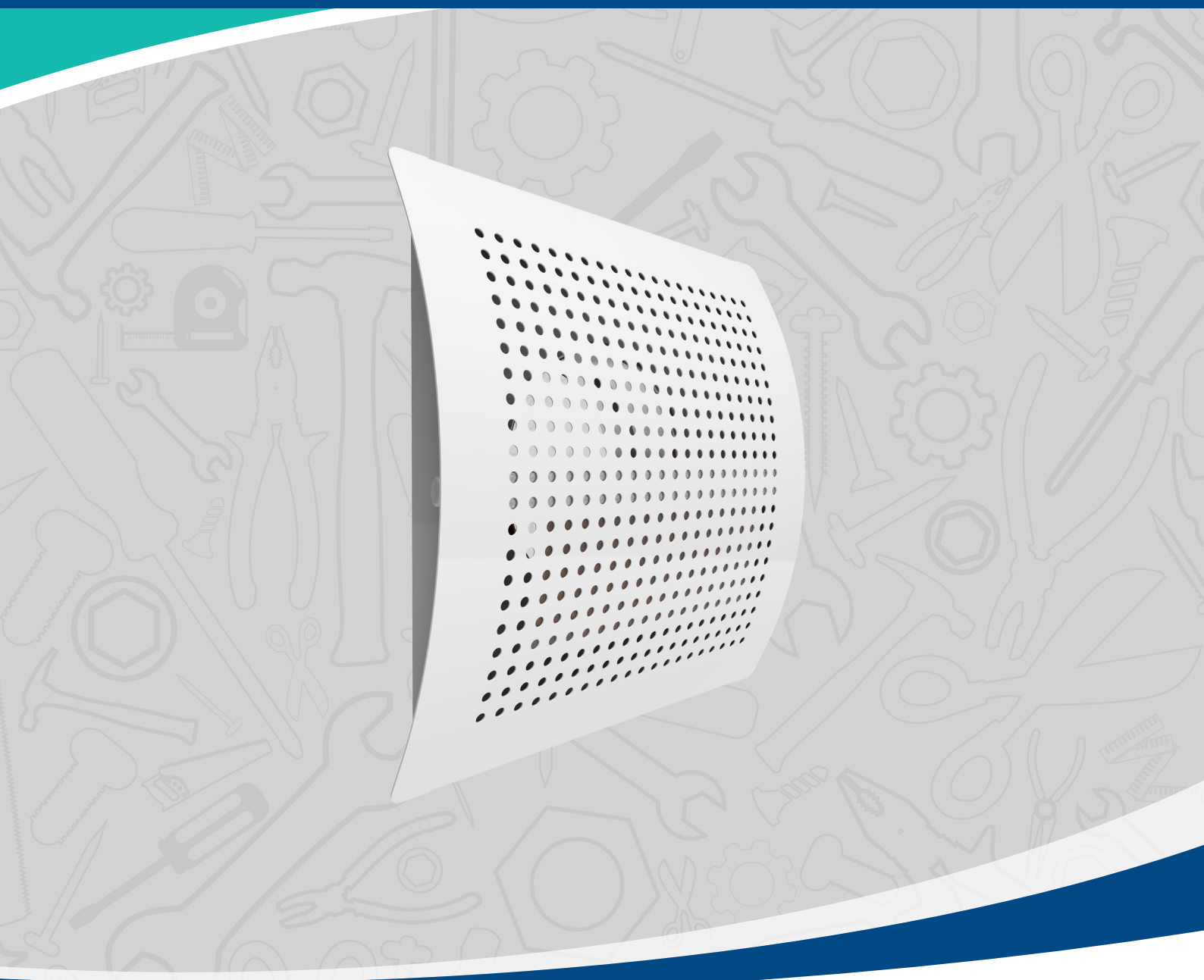
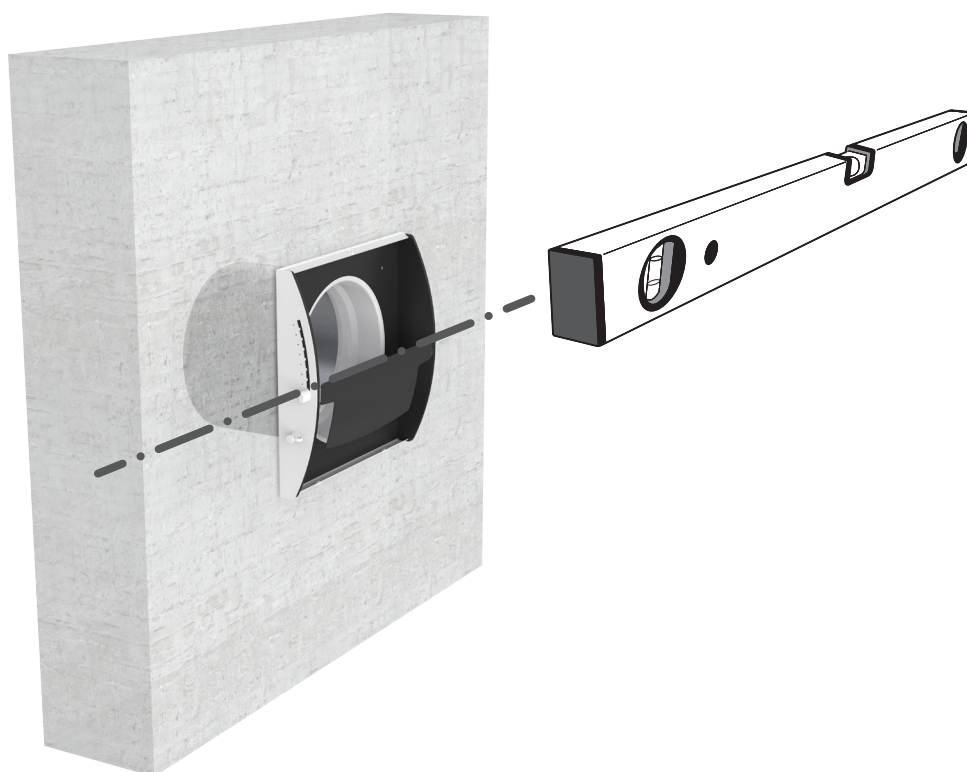
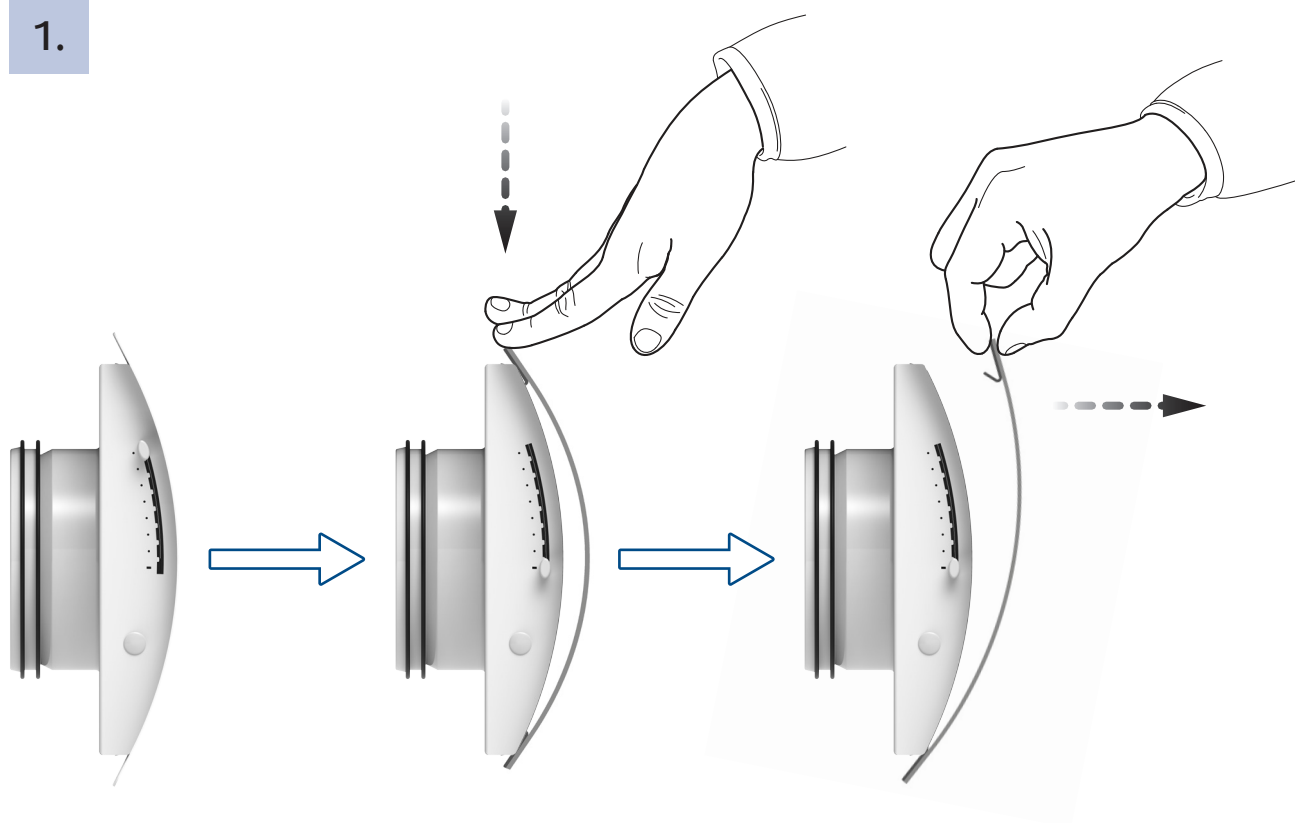


BOR-S

Installation, maintenance and operation instructions

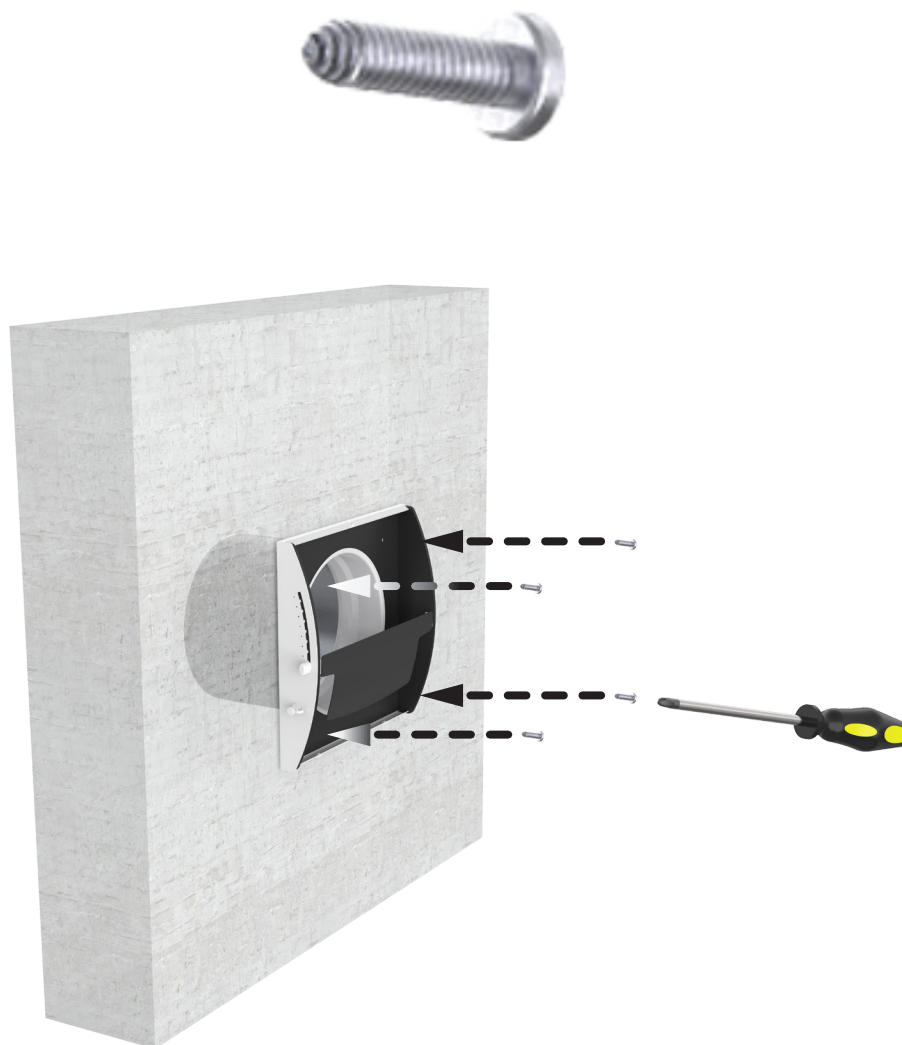


1.

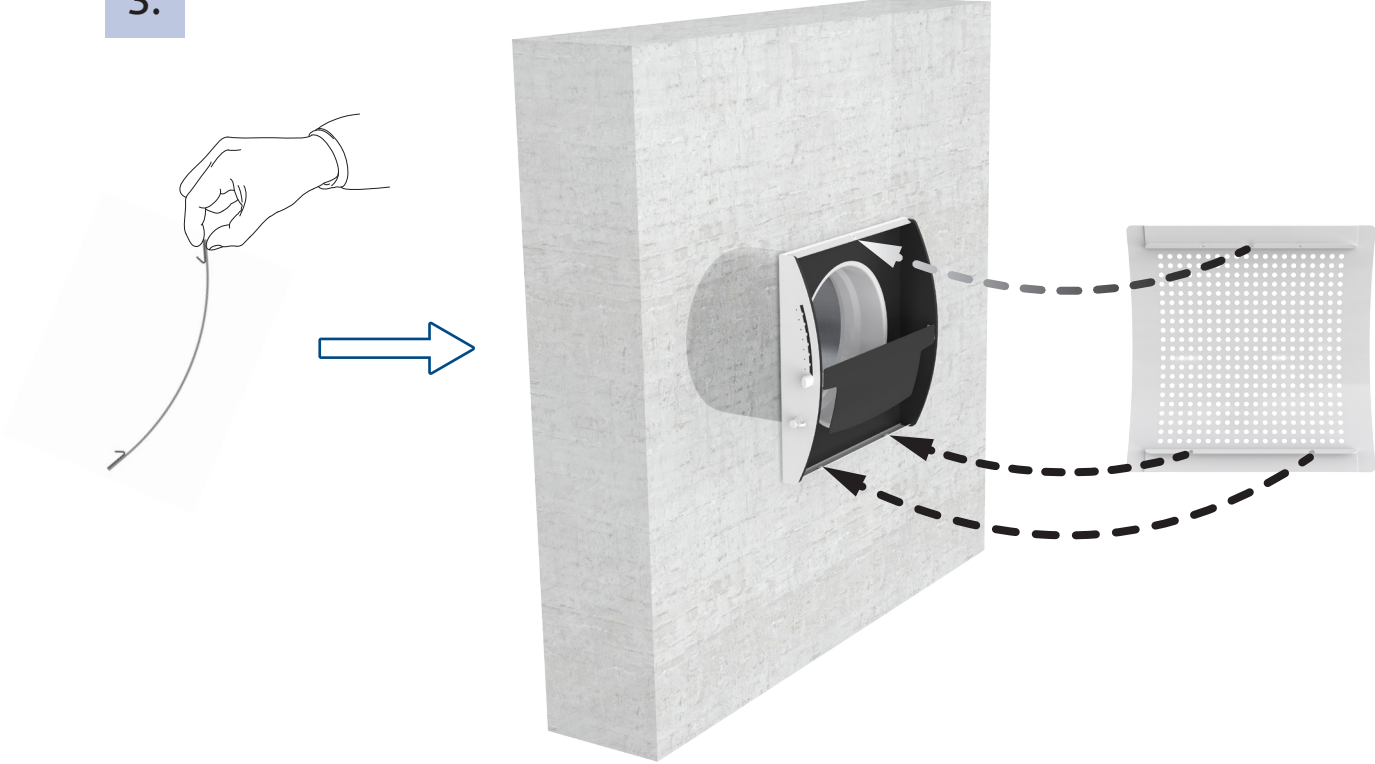


2.

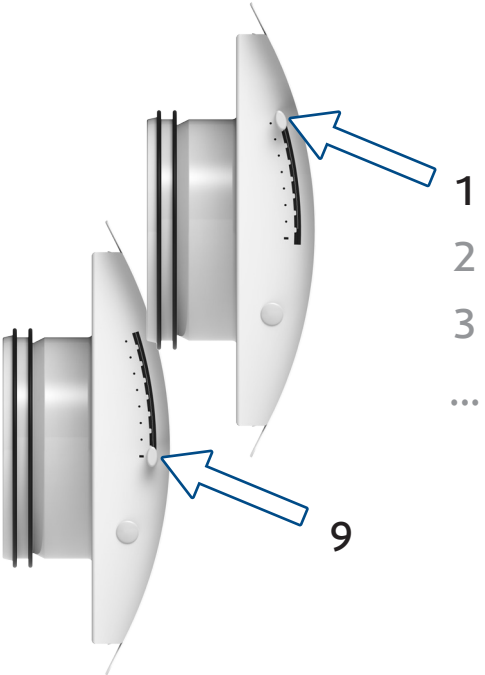
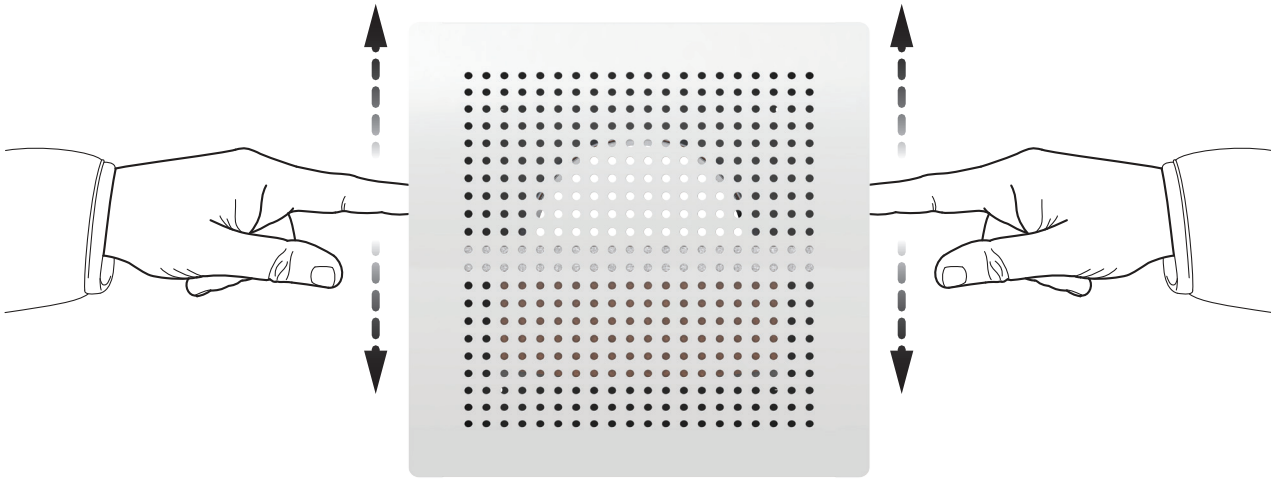
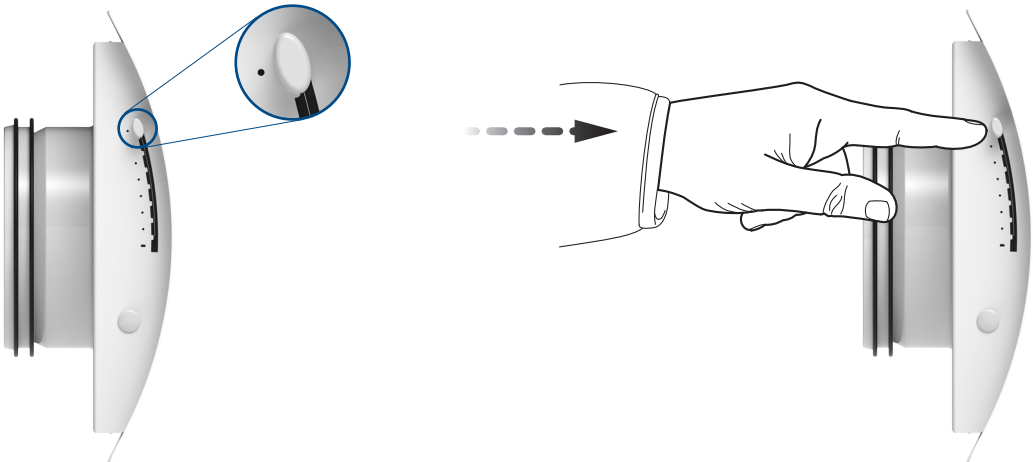
∅ 4 mm

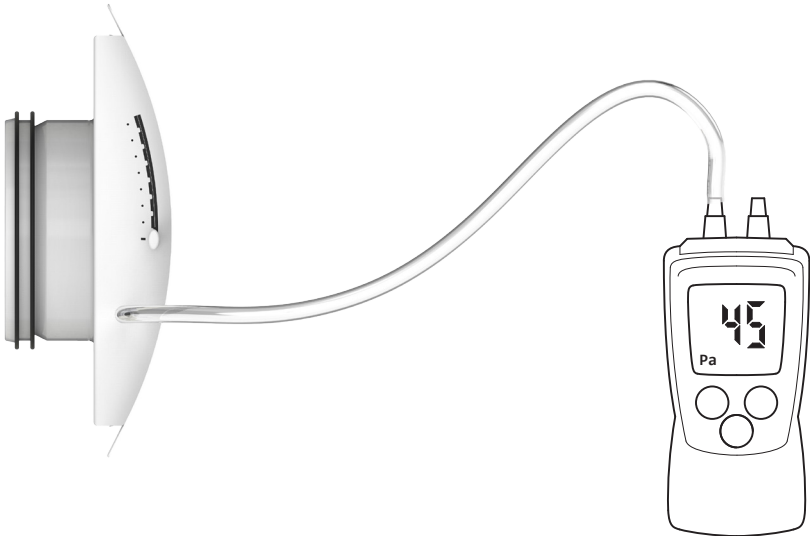
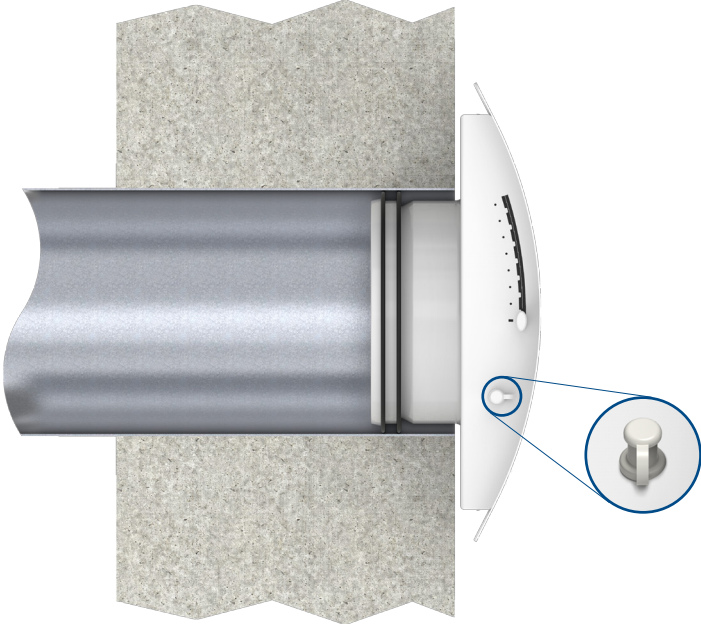


3.



4.





k-factor (m ³ /h)	BOR-S-100	BOR-S-125
Position 1	8,94	11,96
Position 2	8,30	11,03
Position 3	7,64	10,14
Position 4	7,08	9,45
Position 5	6,58	8,78
Position 6	6,07	8,10
Position 7	5,56	7,41
Position 8	5,07	6,72

$$Q \text{ (m}^3\text{/h)} = k \cdot \sqrt{p_d} \text{ (Pa)}$$

k-factor (l/s)	BOR-S-100	BOR-S-125
Position 1	2,48	3,32
Position 2	2,31	3,06
Position 3	2,12	2,82
Position 4	1,97	2,63
Position 5	1,83	2,44
Position 6	1,69	2,25
Position 7	1,54	2,06
Position 8	1,41	1,87

$$Q \text{ (l/s)} = k \cdot \sqrt{p_d} \text{ (Pa)}$$

