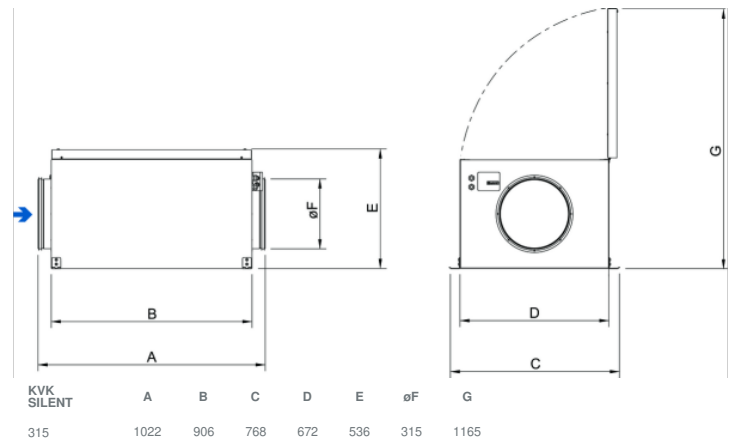




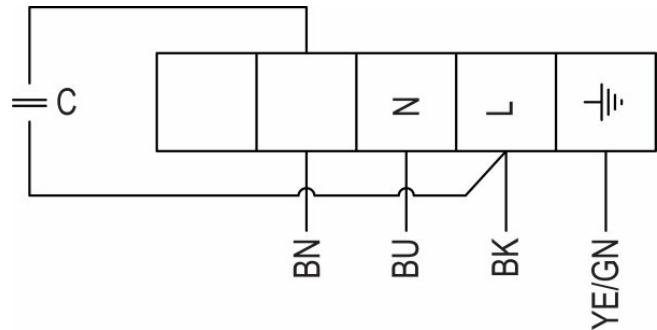
## Technical parameters

Nominal data	
Voltage (nominal)	230 V
Frequency	50 Hz
Phases	1~
Input power	262 W
Input current	1.26 A
Impeller speed	1,346 rpm
Air flow	max 2,502 m <sup>3</sup> /h
Capacitance of capacitor	5 µF
Temperature of transported air	max 70 °C
Max temperature of transported air, when speed controlled	70 °C
Sound data	
Sound pressure level at 3m (20m <sup>2</sup> Sabin)	48 dB(A)
Protection/Classification	
Enclosure class, motor	IP54
Insulation class	F
Data according to ErP	
ErP ready	ErP 2018
Dimensions and weights	
Duct dimension; Circular, inlet	315 mm
Duct dimension; Circular, outlet	315 mm
Weight	61.666 kg
Others	
Duct connection type	Circular
Motor type	AC

## Dimension

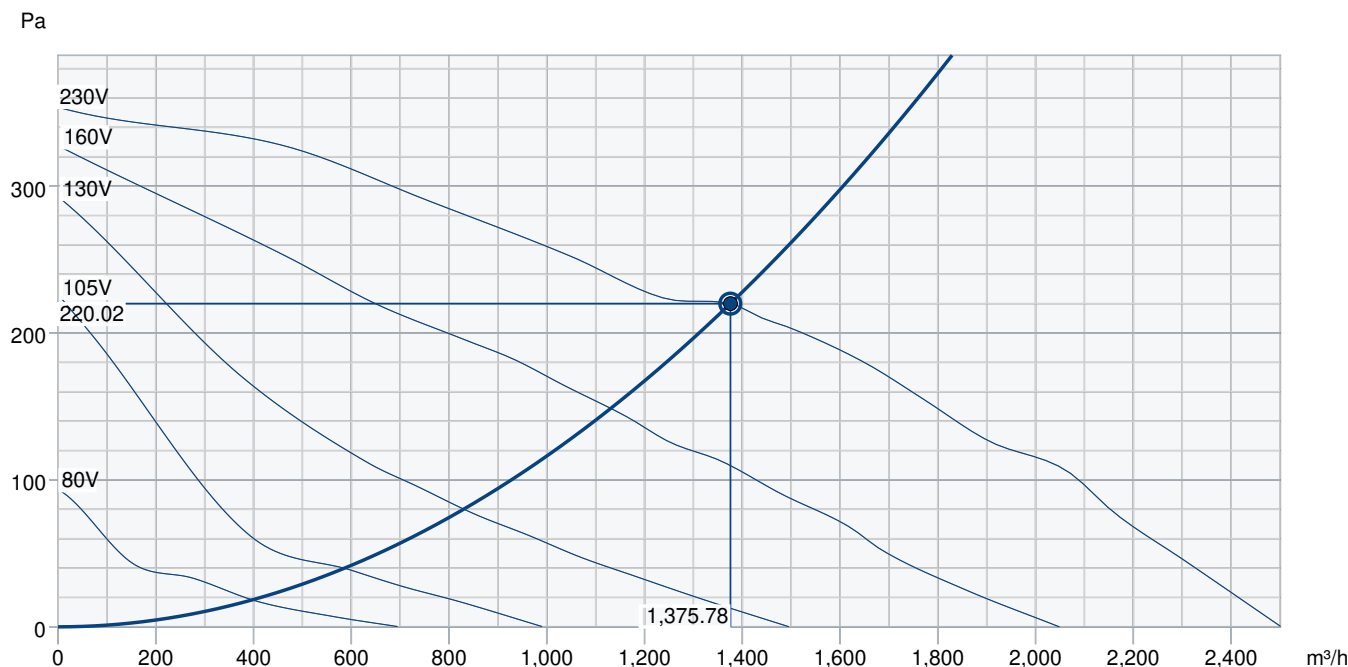


## Wiring



YE	Yellow
BU	Blue
GN	Green
BN	Brown
BK	Black

## Performance curve



Hydraulic data										
Required air flow	1,376 m³/h									
Required static pressure	220 Pa									
Working air flow	1,376 m³/h									
Working static pressure	220 Pa									
Air density	1.204 kg/m³									
Power	250.6 W									
Fan control - RPM	1,359 rpm									
Current	1.20 A									
SFP	0.656 kW/m³/s									
Control voltage	230.0 V									
Supply voltage	230 V									
Sound power level		63	125	250	500	1k	2k	4k	8k	Total
Inlet	dB(A)	58	67	61	47	47	47	40	32	68
Outlet	dB(A)	52	71	64	60	61	58	50	43	73
Surrounding	dB(A)	35	49	53	42	34	26	20	16	55
Sound pressure level at 3m (20m² Sabine)	dB(A)	-	-	-	-	-	-	-	-	48
Sound pressure level at 3m free field	dB(A)	-	-	-	-	-	-	-	-	34
Accessories										

## Accessories

- RE 1.5 Speed control (5000)
- REPT 6 Digital regulator (5698)
- REU 1.5 Speed control (5004)
- SG 315 Protection guard (5611)
- CB 315-6,0 400V/2 Duct heater (5374)
- DTV500A (96807)
- MicroREX D21 Plus Time Switch (17822)
- RT 0-30 Room Thermostat (5151)
- T 120 Timer (5165)
- CB 315-3,0 230V/1 Duct heater (5386)
- CBM 315-9,0 400V/3 Duct heater (5485)
- CWK 315-3-2.5 Duct cooler,circ (30025)
- FGR 315 Filter cassette (1818)
- LDC 315-900 Silencer (5197)
- VBC 315-2 Water heating batt (5461)
- VBF 315 Water heating battery (1734)
- Room hygrostat HR-S (286251)

- REE 2 Speed control (5316)
- RETP 6 Temp/Pressure regulator (32293)
- REV-3POL/03-7,5kW R/Y (33978)
- VKK-315 Back draft damper (1628)
- CO2RT-R-D Transmitter (6993)
- HR1 Room Humidistat (215150)
- Presence detector/IR24-P (6995)
- Safety switch 2-pole grey (210679)
- CB 315-12,0 400V/3 Duct heater (5387)
- CB 315-9,0 400V/3 Duct heater (5375)
- CBMF 315-9,0 400V/3 Duct heater (12354)
- FFR 315 Filter cassette (1779)
- FK 315 Fast clamp (1613)
- RSK-315 Back draft damper (5604)
- VBC 315-3 Water heating batt (9844)
- VK-30 Louvre shutter (5641)

## Documents

- INSTALLATION\_OPERATION\_AND\_MAINTENANCE\_INSTRUCTION\_KV\_DUO\_KVK\_DUO\_KVK\_003\_EN.PDF
- COMMISSIONING\_RECCORD\_FANS\_EN.PDF