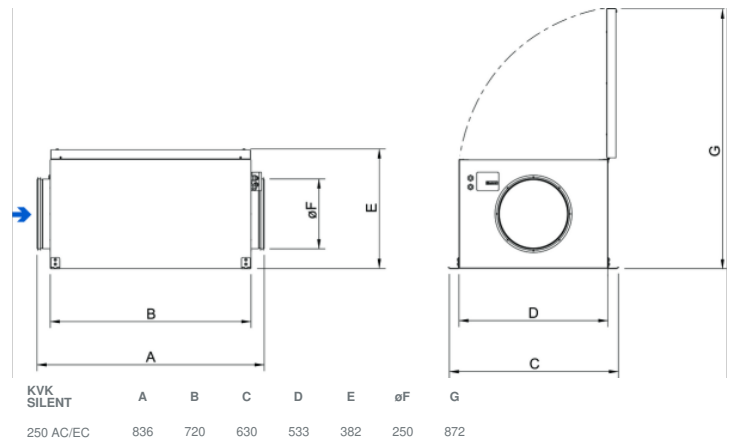




## Technical parameters

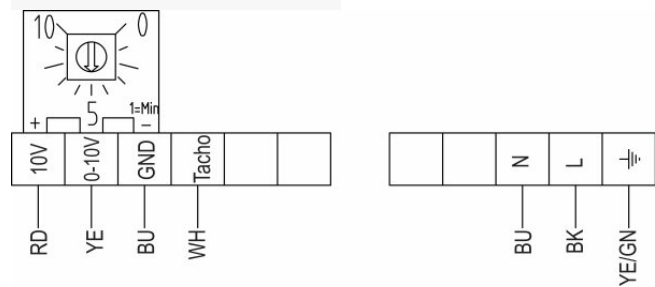
Nominal data	
Voltage (nominal)	230 V
Frequency	50 Hz
Phases	1~
Input power	168 W
Input current	1.17 A
Impeller speed	1,823 rpm
Air flow	max 1,638 m <sup>3</sup> /h
Temperature of transported air	max 60 °C
Max temperature of transported air, when speed controlled	60 °C
Sound data	
Sound pressure level at 3m (20m <sup>2</sup> Sabin)	43 dB(A)
Protection/Classification	
Enclosure class, motor	IP44
Insulation class	F
Data according to ErP	
ErP ready	ErP 2018
Dimensions and weights	
Duct dimension; Circular, inlet	250 mm
Duct dimension; Circular, outlet	250 mm
Weight	27.45 kg
Others	
Duct connection type	Circular
Motor type	EC

## Dimension

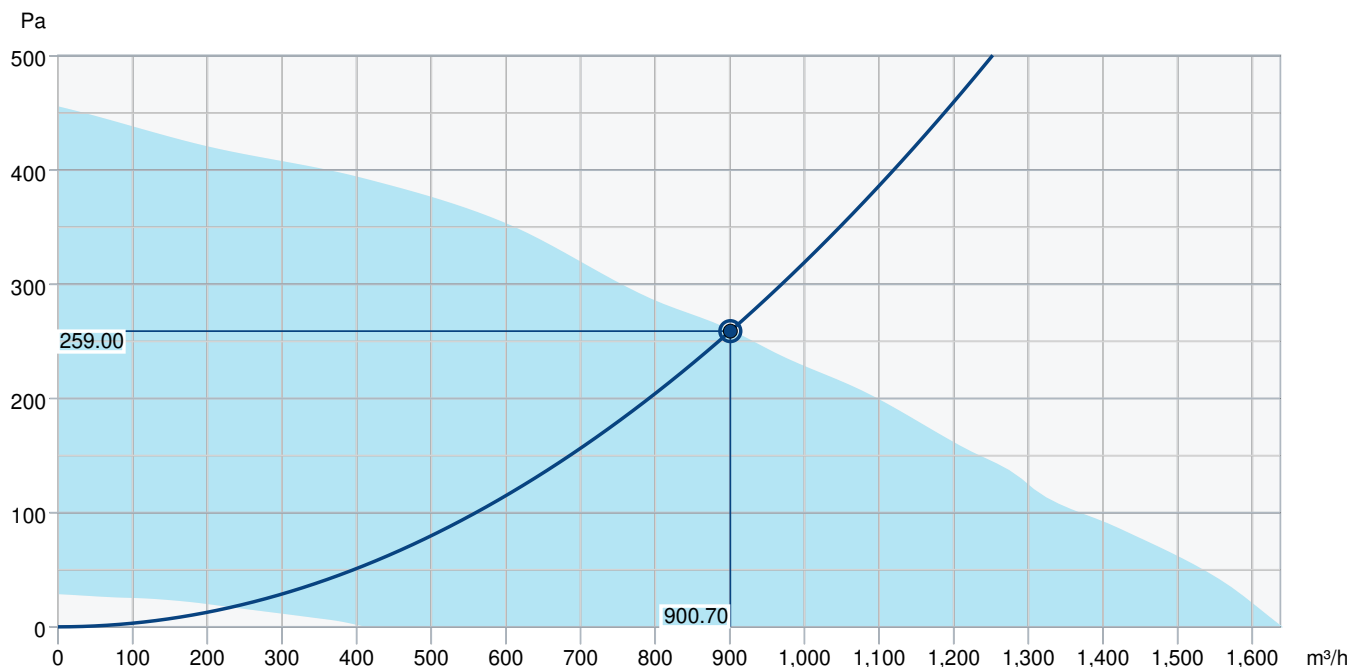


## Wiring

RD	Red
YE	Yellow
BU	Blue
WH	White
GN	Green
BN	Brown
BK	Black



## Performance curve



Hydraulic data										
Required air flow	901 m³/h									
Required static pressure	259 Pa									
Working air flow	901 m³/h									
Working static pressure	259 Pa									
Air density	1.204 kg/m³									
Power	164.5 W									
Fan control - RPM	1,828 rpm									
Current	1.10 A									
SFP	0.658 kW/m³/s									
Control voltage	10.0 V									
Supply voltage	230 V									
Sound power level		63	125	250	500	1k	2k	4k	8k	Total
Inlet	dB(A)	56	65	63	54	48	46	43	37	68
Outlet	dB(A)	50	67	66	60	62	61	55	51	71
Surrounding	dB(A)	29	42	48	40	38	32	34	26	50
Sound pressure level at 3m (20m² Sabine)	dB(A)	-	-	-	-	-	-	-	-	43
Sound pressure level at 3m free field	dB(A)	-	-	-	-	-	-	-	-	29
Accessories										

## Accessories

CXE/AVC Modbus (37256)

EC-Basic-H humidity (24807)

EC-Basic-U universal 0-10V (24806)

EC-Vent control board (3115)

MTP 10, 10K, Speed control (32731)

Potentiometer MTP 20, 0-10V (310220)

SG 250 Protection guard (5610)

VKK-250 Back draft damper (1627)

CO2RT-R-D Transmitter (6993)

Presence detector/IR24-P (6995)

Safety switch 2-pole grey (210679)

CBM 250-6,0 400V/2 Duct heater (9089)

CBMF 250-6,0 400V/2 Duct heater (12249)

FFR 250 Filter cassette (1776)

FK 250 Fast clamp (1612)

RSK-250 Back draft damper (5603)

THS 200 Hood w.cover pl. black (134466)

VBC 250-3 Water heating batt (9843)

VK-25 Louvre shutter (5640)

EC-Basic-CO2 and temperature (24808)

EC-Basic-T temperature (24805)

EC-Selector (9908)

EC-Vent Room Unit (3018)

MTV-1/010 Controller 0..10V+ (30650)

REV-3POL/03-7,5kW R/Y (33978)

Step switch S-5EC-2, 0-10V (449084)

CB 250-6,0 400V/2 Duct heater (5372)

HR1 Room Humidistat (215150)

RT 0-30 Room Thermostat (5151)

CB 250-9,0 400V/3 Duct heater (5373)

CBMF 250-3,0 230V/1 Duct heater (12248)

CWK 250-3-2,5 Duct cooler,circ (30024)

FGR 250 Filter cassette (1815)

LDC 250-900 Silencer (5196)

THB 200 Hood w.cover pl. black (134465)

VBC 250-2 Water heating batt (5460)

VBF 250 Water heating battery (1733)

Room hygrostat HR-S (286251)

## Documents

INSTALLATION\_OPERATION\_AND\_MAINTENANCE\_INSTRUCTION\_KV\_DUO\_KVK\_DUO\_KVK\_003\_EN.PDF

COMMISSIONING\_RECCORD\_FANS\_EN.PDF