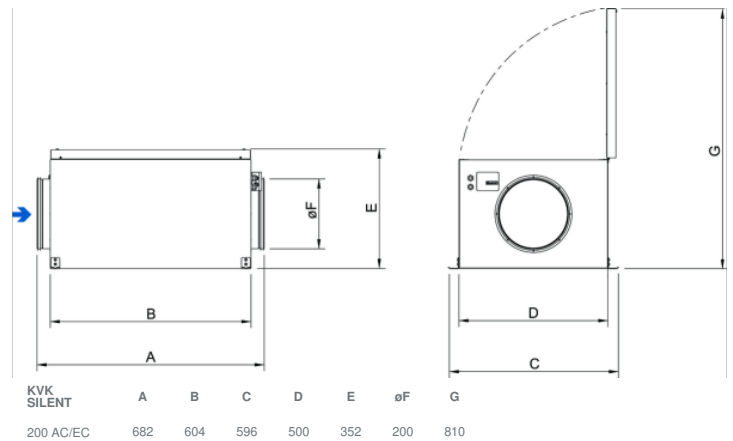




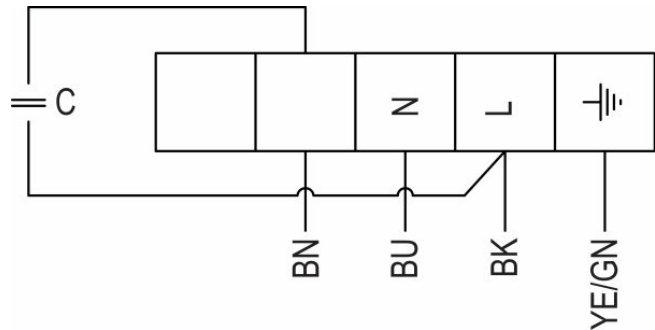
## Technical parameters

Nominal data	
Voltage (nominal)	230 V
Frequency	50 Hz
Phases	1~
Input power	105 W
Input current	0.465 A
Impeller speed	2,439 rpm
Air flow	max 738 m <sup>3</sup> /h
Capacitance of capacitor	2.5 μF
Temperature of transported air	max 70 °C
Max temperature of transported air, when speed controlled	70 °C
Sound data	
Sound pressure level at 3m (20m <sup>2</sup> Sabin)	40 dB(A)
Protection/Classification	
Enclosure class, motor	IP44
Insulation class	F
Data according to ErP	
Energy class, Basic unit	E
Energy class, Local demand	C
ErP ready	ErP 2018
Dimensions and weights	
Duct dimension; Circular, inlet	200 mm
Duct dimension; Circular, outlet	200 mm
Weight	21.1 kg
Others	
Duct connection type	Circular
Motor type	AC

## Dimension

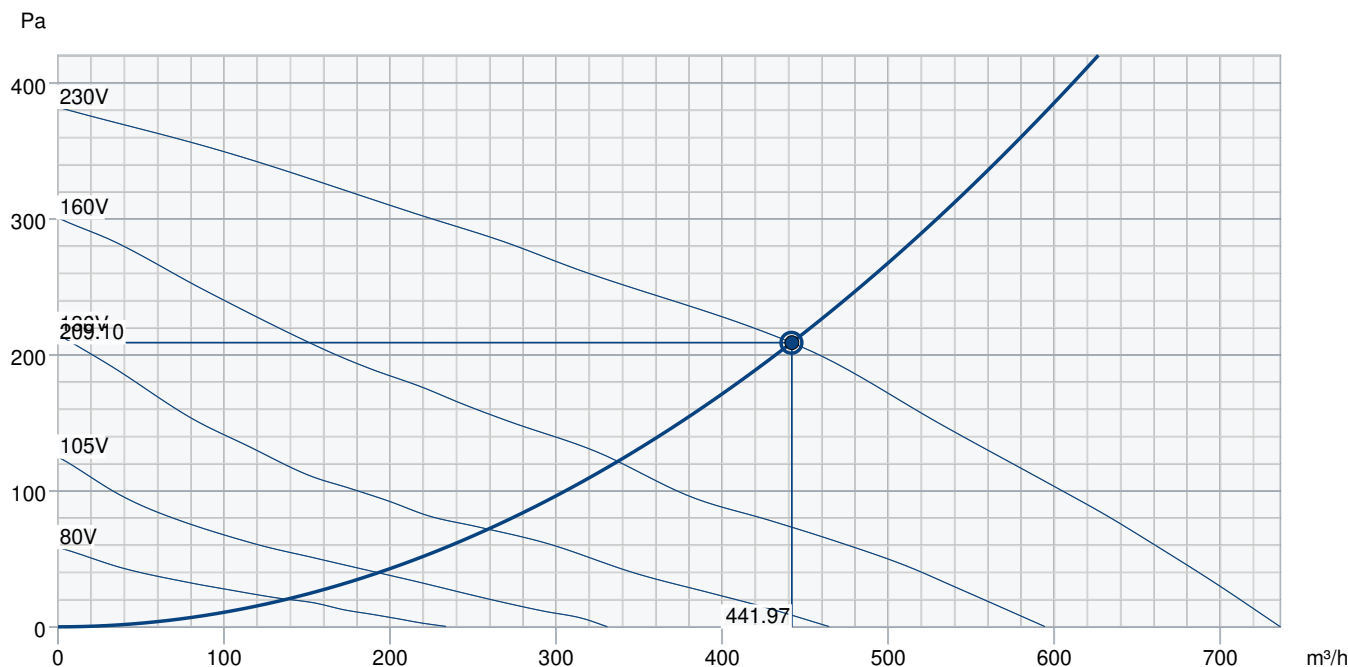


## Wiring



YE	Yellow
BU	Blue
GN	Green
BN	Brown
BK	Black

## Performance curve



Hydraulic data										
Required air flow	442 m³/h									
Required static pressure	209 Pa									
Working air flow	442 m³/h									
Working static pressure	209 Pa									
Air density	1.204 kg/m³									
Power	103.1 W									
Fan control - RPM	2,444 rpm									
Current	0.50 A									
SFP	0.840 kW/m³/s									
Control voltage	230.0 V									
Supply voltage	230 V									
Sound power level		63	125	250	500	1k	2k	4k	8k	Total
Inlet	dB(A)	51	56	62	54	47	45	43	40	64
Outlet	dB(A)	48	51	60	58	55	57	51	40	65
Surrounding	dB(A)	24	34	45	39	34	31	33	33	47
Sound pressure level at 3m (20m² Sabine)	dB(A)	-	-	-	-	-	-	-	-	40
Sound pressure level at 3m free field	dB(A)	-	-	-	-	-	-	-	-	26
Accessories										

## Accessories

[Frequency converter FRQ5SE-6A \(37421\)](#)  
[REE 1 Speed control \(5314\)](#)  
[RETP 6 Temp/Pressure regulator \(32293\)](#)  
[REV-5POL/05-7.5kW R/Y \(33979\)](#)  
[VKK-200 Back draft damper \(1626\)](#)  
[DTV500A \(96807\)](#)  
[HR1 Room Humidistat \(215150\)](#)  
[Presence detector/IR24-P \(6995\)](#)  
[Safety switch 2-pole grey \(210679\)](#)  
[VBF 200 Water heating battery \(1732\)](#)  
[CB 200-3,0 230V/1 Duct heater \(5370\)](#)  
[CB 200-5,0 400V/2 Duct heater \(5371\)](#)  
[CBMF 200-3,0 230V/1 Duct heater \(12245\)](#)  
[CWK 200-3-2,5 Duct cooler,circ \(30023\)](#)  
[FFR 200 Filter cassette \(1812\)](#)  
[LDC 200-600 Silencer \(5194\)](#)  
[RSK-200 Back draft damper \(5602\)](#)  
[THS 200 Hood w.cover pl. black \(134466\)](#)  
[VBC 200-3 Water heating batt \(9841\)](#)

[RE 1,5 Speed control \(5000\)](#)  
[REPT 6 Digital regulator \(5698\)](#)  
[REU 1.5 Speed control \(5004\)](#)  
[SG 200 Protection guard \(5609\)](#)  
[CO2RT-R-D Transmitter \(6993\)](#)  
[Frequency converter FRQSE-6A \(37419\)](#)  
[IGK-200 Wall Grid \(1633\)](#)  
[RT 0-30 Room Thermostat \(5151\)](#)  
[T 120 Timer \(5165\)](#)  
[CB 200-2,1 230V/1 Duct heater \(5384\)](#)  
[CB 200-3,0 400V/2 Duct heater \(5294\)](#)  
[CBM 200-5,0 400V/2 Duct heater \(5483\)](#)  
[CBMF 200-5,0 400V/2 Duct heater \(12246\)](#)  
[FFR 200 Filter cassette \(1773\)](#)  
[FK 200 Fast clamp \(1611\)](#)  
[LDC 200-900 Silencer \(5195\)](#)  
[THB 200 Hood w.cover pl. black \(134465\)](#)  
[VBC 200-2 Water heating batt \(5459\)](#)  
[Room hygrostat HR-S \(286251\)](#)

## Documents

[INSTALLATION\\_OPERATION\\_AND\\_MAINTENANCE\\_INSTRUCTION\\_KV\\_DUO\\_KVK\\_DUO\\_KVK\\_003\\_EN.PDF](#)  
[COMMISSIONING\\_RECCORD\\_FANS\\_EN.PDF](#)