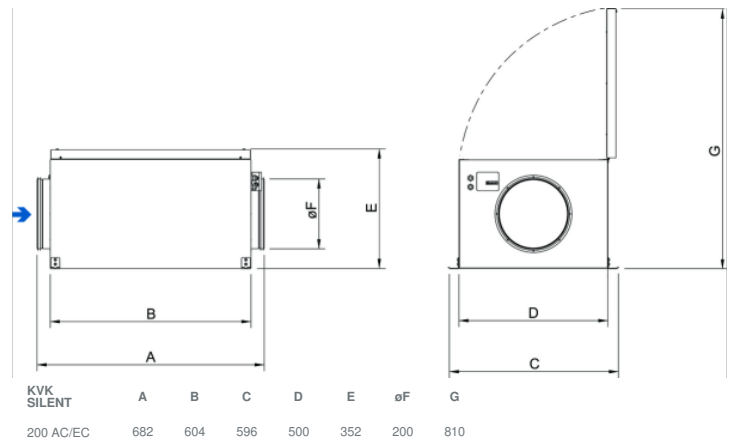




Technical parameters

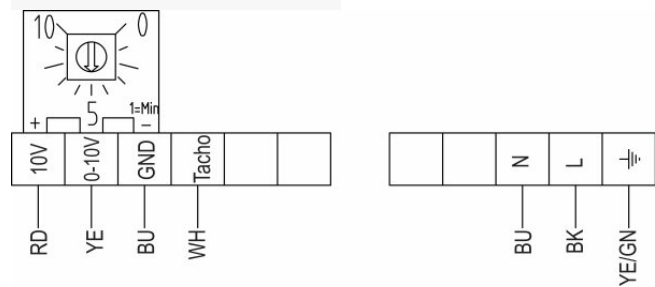
Nominal data	
Voltage (nominal)	230 V
Frequency	50; 60 Hz
Phases	1~
Input power	120 W
Input current	0.929 A
Impeller speed	2,479 rpm
Air flow	max 932 m ³ /h
Temperature of transported air	max 60 °C
Max temperature of transported air, when speed controlled	60 °C
Sound data	
Sound pressure level at 3m (20m ² Sabin)	42 dB(A)
Protection/Classification	
Enclosure class, motor	IP54
Insulation class	B
Data according to ErP	
Energy class, Basic unit	E
Energy class, Local demand	B
ErP ready	ErP 2018
Dimensions and weights	
Duct dimension; Circular, inlet	200 mm
Duct dimension; Circular, outlet	200 mm
Weight	21 kg
Others	
Duct connection type	Circular
Motor type	EC

Dimension

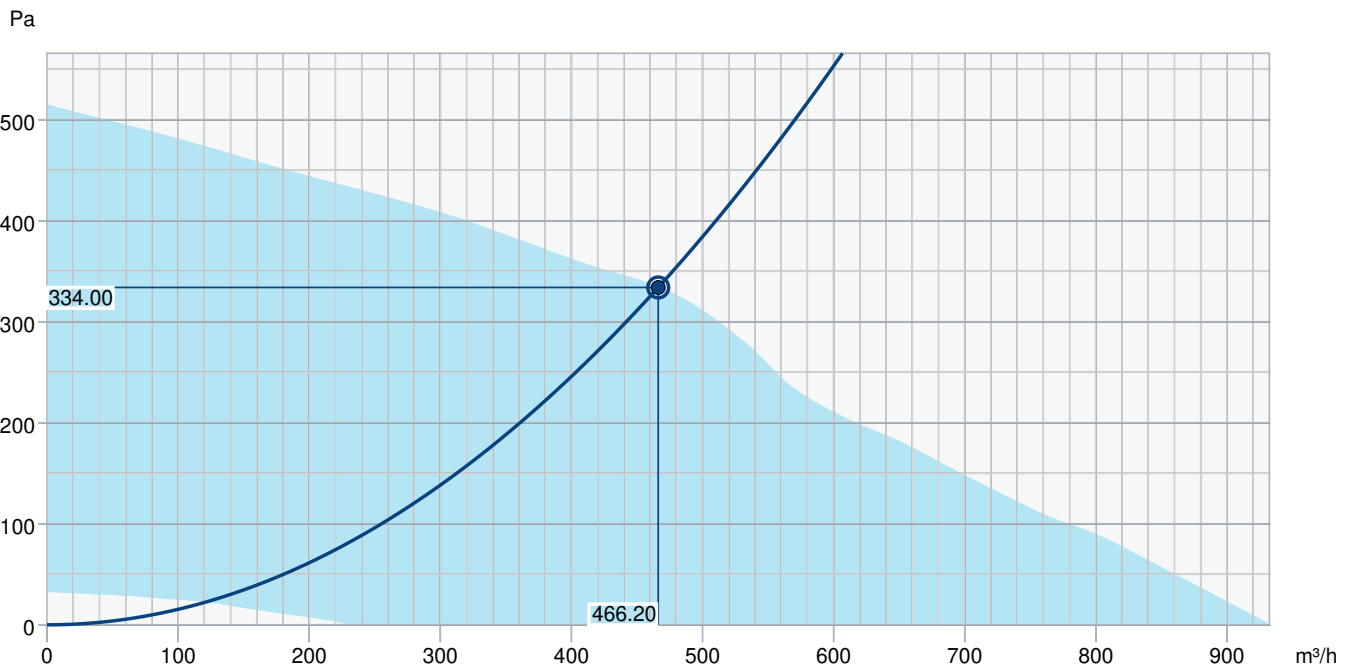


Wiring

RD	Red
YE	Yellow
BU	Blue
WH	White
GN	Green
BN	Brown
BK	Black



Performance curve



Hydraulic data										
Required air flow	466 m³/h									
Required static pressure	334 Pa									
Working air flow	466 m³/h									
Working static pressure	334 Pa									
Air density	1.204 kg/m³									
Power	117.6 W									
Fan control - RPM	2,546 rpm									
Current	0.90 A									
SFP	0.908 kW/m³/s									
Control voltage	10.0 V									
Supply voltage	230 V									
Sound power level		63	125	250	500	1k	2k	4k	8k	Total
Inlet	dB(A)	55	57	62	56	48	46	45	44	65
Outlet	dB(A)	52	54	63	61	58	60	53	45	67
Surrounding	dB(A)	29	33	46	42	40	29	27	29	49
Sound pressure level at 3m (20m² Sabine)	dB(A)	-	-	-	-	-	-	-	-	42
Sound pressure level at 3m free field	dB(A)	-	-	-	-	-	-	-	-	28
Accessories										

Accessories

- | | |
|---|---|
| CXE/AVC Modbus (37256) | EC-Basic-CO2 and temperature (24808) |
| EC-Basic-H humidity (24807) | EC-Basic-T temperature (24805) |
| EC-Basic-U universal 0-10V (24806) | EC-Selector (9908) |
| EC-Vent control board (3115) | EC-Vent Room Unit (3018) |
| MTP 10, 10K, Speed control (32731) | MTV-1/010 Controller 0..10V+ (30650) |
| Potentiometer MTP 20, 0-10V (310220) | REV-3POL/03-7,5kW R/Y (33978) |
| SG 200 Protection guard (5609) | Step switch S-SEC-2, 0-10V (449084) |
| VKK-200 Back draft damper (1626) | CO2RT-R-D Transmitter (6993) |
| HR1 Room Humidistat (215150) | IGK-200 Wall Grid (1633) |
| Presence detector/IR24-P (6995) | RT 0-30 Room Thermostat (5151) |
| Safety switch 2-pole grey (210679) | VBF 200 Water heating battery (1732) |
| CB 200-2,1 230V/1 Duct heater (5384) | CB 200-3,0 230V/1 Duct heater (5370) |
| CB 200-3,0 400V/2 Duct heater (5294) | CB 200-5,0 400V/2 Duct heater (5371) |
| CBM 200-5,0 400V/2 Duct heater (5483) | CBMF 200-3,0 230V/1 Duct heater (12245) |
| CBMF 200-5,0 400V/2 Duct heater (12246) | CWK 200-3-2,5 Duct cooler,circ (30023) |
| FFR 200 Filter cassette (1773) | FGR 200 Filter cassette (1812) |
| FK 200 Fast clamp (1611) | LDC 200-300 Silencer (53369) |
| LDC 200-600 Silencer (5194) | LDC 200-900 Silencer (5195) |
| RSK-200 Back draft damper (5602) | THB 200 Hood w.cover pl. black (134465) |
| THS 200 Hood w.cover pl. black (134466) | VBC 200-2 Water heating batt (5459) |
| VBC 200-3 Water heating batt (9841) | Room hygrostat HR-S (286251) |

Documents

- INSTALLATION_OPERATION_AND_MAINTENANCE_INSTRUCTION_KV_DUO_KVK_DUO_KVK_003_EN.PDF
- COMMISSIONING_RECCORD_FANS_EN.PDF

