

FE2owlet

for single phase alternating current, 6 pole

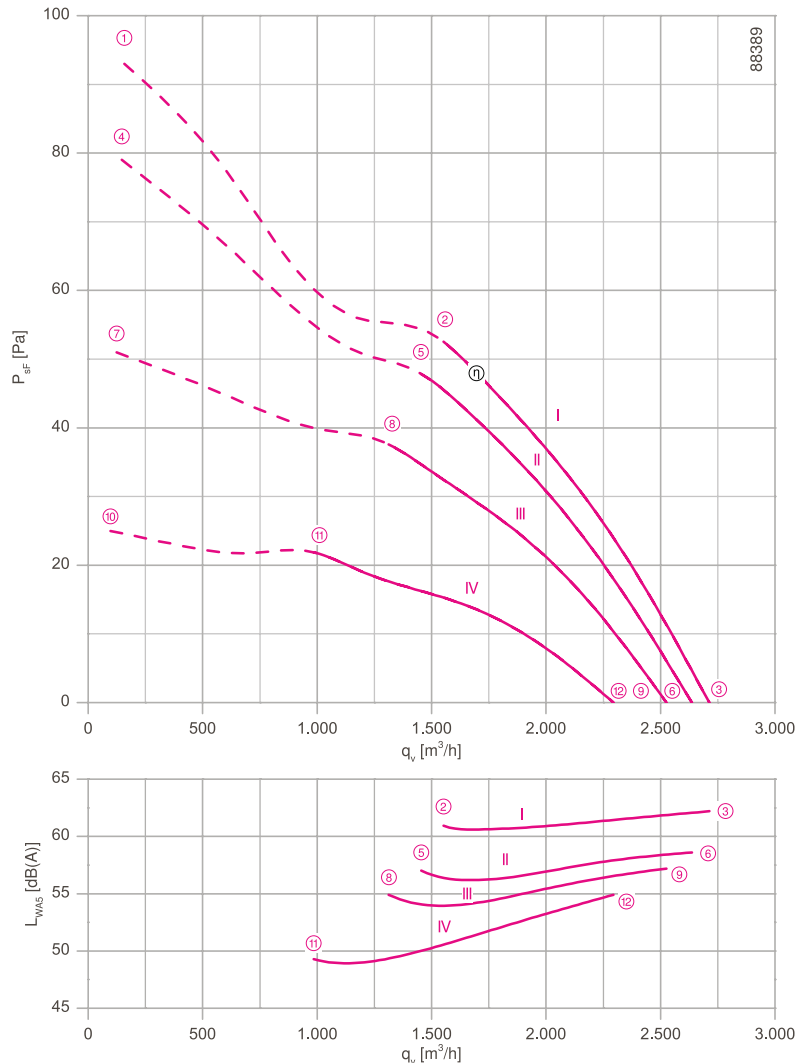
FNO40-6E



Description

Motor technology: AC
 Rated voltage U_N : 1~ 230 V \pm 10 %*
 Rated frequency f_N : 50 Hz* (60Hz data available)
 Motor input power P_1 : 0.13 kW*
 Rated current I_N : 0.60 A*
 Rated speed n_N : 950 min⁻¹*
 Starting current I_s : 1.20 A
 Current increase ΔI : 0 %
 Service capacitor C_{400V} : 5.0 μ F
 Thermal class: **THCL155***
 Min. permitted conveyor temperature $t_{R(min)}$: -25 °C
 Max. permitted conveyor temperature $t_{R(max)}$: 70 °C
 Electrical connection: Terminal box
 Number of blades: 7
 Protection class: IP54
 Motor protection: Thermal contact
 Blades: High Performance Composite Material, uncoated, black
 Rotor: Aluminium, 1 coat paint, black
 Conformity: CE
ErP Data
 Is not subject to the ErP Guidelines ($P_1 < 125$ W)
 * Rated data

Characteristic curve



Measured in full bell mouth without guard grille in installation type A according to ISO 5801.

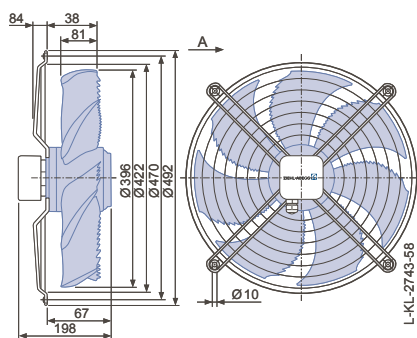
➤ Connection diagrams Page 608
 for airflow direction V 1360-104XA
 for airflow direction A 1360-104XB

➤ System components Page 524

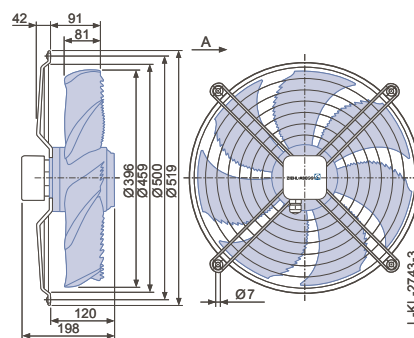
Dimensions [mm]

Airflow direction A

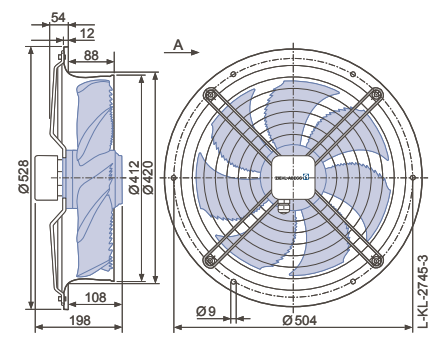
Design W - axial bolted, mounting for short bell mouth E



Design D - axial bolted, suspension for full bell mouth Q and L



Design L - round, full bell mouth

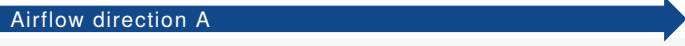
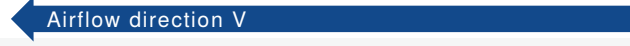








Performance data



Type	Characteristic curve	Voltage	Operating point	Current	Motor input power	Speed	Suction side sound power level
		U [V]		I [A]	P ₁ [W]	n [min ⁻¹]	
FN040-6E_OF_7P1	I	230	①	0.64	140	930	61
		230*	②	0.60*	130*	950*	
		230	③	0.56	120	970	
	II	170	④	0.56	95	860	57
		170	⑤	0.50	85	900	
		170	⑥	0.42	70	940	
	III	135	⑦	0.58	75	690	55
		135	⑧	0.50	70	800	
		135	⑨	0.40	55	900	
	IV	110	⑩	0.52	55	490	49
		110	⑪	0.50	55	610	
		110	⑫	0.42	46	820	

*rated data

Fan ordering information

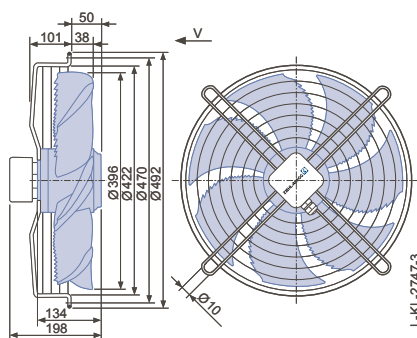
Design	W	D	L	K	Q	H
						
						
Type	FN040-6EW.0F.A7P1	FN040-6ED.0F.A7P1	FN040-6EL.0F.A7P1	FN040-6EK.0F.V7P1	FN040-6EQ.0F.V7P1	FN040-6EH.0F.V7P1
Article no.	155290	152910	152911	152915	152916	152914
Weight [kg]	5.70	5.10	7.80	5.50	8.70	7.80

Control technology

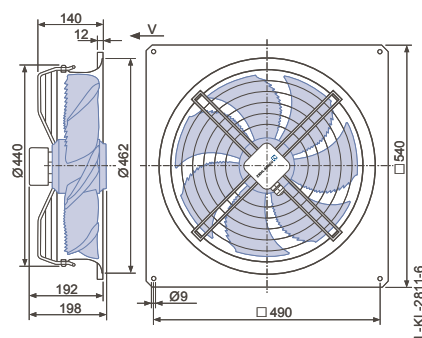
<p>Frequency inverter Fcontrol 1~</p>  <p>➤ Page 552</p>	<p>Motor protection units 1~</p>  <p>➤ Page 596</p>	<p>Transformer-based controllers 1~</p>  <p>➤ Page 587</p>	<p>Electronic voltage controllers 1~</p>  <p>➤ Page 562</p>
---	--	---	--

Airflow direction V

Design K - axial bolted, mounted for short bell mouth E



Design Q - square, full bell mouth



Design H - pipe sockets with a flange

