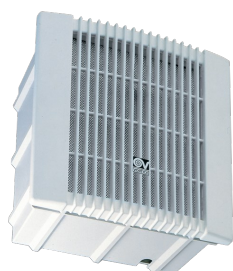


# Technical Data Sheet

CODE 11996

## VORT PRESS 110 LL I T

Centrifugal duct fans



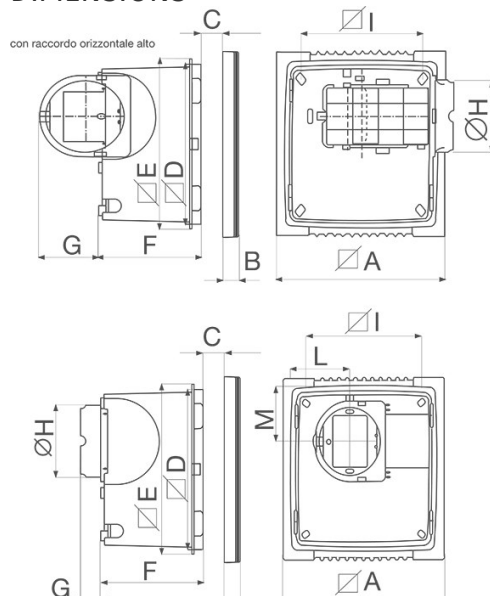
### Certifications



### TECHNICAL AND PERFORMANCE DATA

Frequency (Hz)	50	Max delivery of side outlet at max speed (m <sup>3</sup> /h)	100
Insulation class	II°	Max delivery of side outlet at min speed (l/s)	13,9
IP	X4	Max delivery of side outlet at min speed (m <sup>3</sup> /h)	50
Max absorbed current at Max speed (A)	0,18	Max pressure at Max speed (mmH2O)	14,5
Max absorbed current at Min speed (A)	0,07	Max pressure at Max speed (Pa)	142
Max absorbed power at Max speed (W)	24	Max pressure at side outlet - max speed (mmH2O)	13,5
Max ambient temperature for continuous operation (°C)	40	Max pressure at side outlet - min speed (mmH2O)	8,3
Nominal diameter (mm)	100	Max pressure at side outlet - min speed (Pa)	81
Ø Discharge hole (mm)	96,5	Max pressure at side outlet (Pa)	132
Power absorbed at 1st speed (W)	12	Max RPM	1720
Voltage (V)	220-240	Min RPM	970
Weight (Kg)	2,1	Pressure at 1st speed (mmH2O)	8,9
Airflow at 1st speed (l/s)	16,7	Pressure at 1st speed (Pa)	87
Airflow at 1st speed (m <sup>3</sup> /h)	60	RPM side air outlet - max speed	1980
Max airflow at Max speed (l/s)	33,3	RPM side air outlet - min speed	1090
Max airflow at Max speed (m <sup>3</sup> /h)	120	Sound pressure at 3 m - min speed Lp [dB (A)] 3m - min speed	30
Max delivery of side outlet at max speed (l/s)	27,8	Sound pressure at 3m at Max speed Lp [dB (A)]	41

### DIMENSIONS



Size A (mm)	252
Size B (mm)	23
Size C (mm)	65
Size D (mm)	214,5
Size E (mm)	228
Size F (mm)	135,3
Size G (mm)	31,5/76,7
Size H (mm)	Ø 96,5
Size I (mm)	180
Size J (mm)	92
Size K (mm)	76
Size L (mm)	92
Size M (mm)	76

PER INFORMAZIONI / FOR INFORMATION

ITALY

Pre Sales:

[prevendita@vortice-italy.com](mailto:prevendita@vortice-italy.com)

After Sales:

[postvendita@vortice-italy.com](mailto:postvendita@vortice-italy.com)

UNITED KINGDOM & REP. OF

IRELAND

Sales Dept:

[sales@vortice.ltd.uk](mailto:sales@vortice.ltd.uk)

Technical Dept:

[technical@vortice.ltd.uk](mailto:technical@vortice.ltd.uk)

OTHER COUNTRIES

Sales Dept:

[export@vortice-italy.com](mailto:export@vortice-italy.com)

After Sales:

[after-sales@vortice-italy.com](mailto:after-sales@vortice-italy.com)

# Technical Data Sheet

CODE 11996

## VORT PRESS 110 LL I T

Centrifugal duct fans



### DESCRIPTION

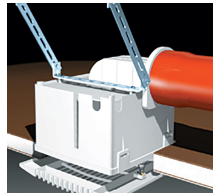
- Material: UV resistant plastic (prevents ageing caused by exposure to sunlight).
- Nominal diameter 100 mm
- 2 speed motor with thermal overload protection and shaft turning in ball bearings.
- Minimum air flow, rear outlet: 60 m<sup>3</sup>/h
- Maximum air flow, rear outlet: 120 m<sup>3</sup>/h
- Minimum air flow, side outlet: 50 m<sup>3</sup>/h
- Maximum air flow, side outlet: 100 m<sup>3</sup>/h
- Equipped with "smart" timer: when lights are switched on, the fan will start up after 40" approx; when lights are switched off, the fan stays on for between 30" and 30' (adjustable), running at minimum speed.
- Double motor-fan enclosure, antivibration mounts and non-return damper combining to ensure extremely quiet operation.
- Supplied with front grille mounting springs, suitable for any kind of false ceiling (65 mm max).
- Removable and washable metal mesh filter.
- Outlet port equipped with non-return damper.
- Vortice speed controller.

### ACCESSORIES



#### **KIT** **CONTROSOFFITTATOREZZONTALE**

Code 22823



#### **RACCORDO**

#### **ALTO**

Code 22841

### PER INFORMAZIONI / FOR INFORMATION

#### ITALY

Pre Sales:

[prevendita@vortice-italy.com](mailto:prevendita@vortice-italy.com)

After Sales:

[postvendita@vortice-italy.com](mailto:postvendita@vortice-italy.com)

UNITED KINGDOM & REP. OF

IRELAND

Sales Dept:

[sales@vortice.ltd.uk](mailto:sales@vortice.ltd.uk)

Technical Dept:

[technical@vortice.ltd.uk](mailto:technical@vortice.ltd.uk)

#### OTHER COUNTRIES

Sales Dept:

[export@vortice-italy.com](mailto:export@vortice-italy.com)

After Sales:

[after-sales@vortice-italy.com](mailto:after-sales@vortice-italy.com)