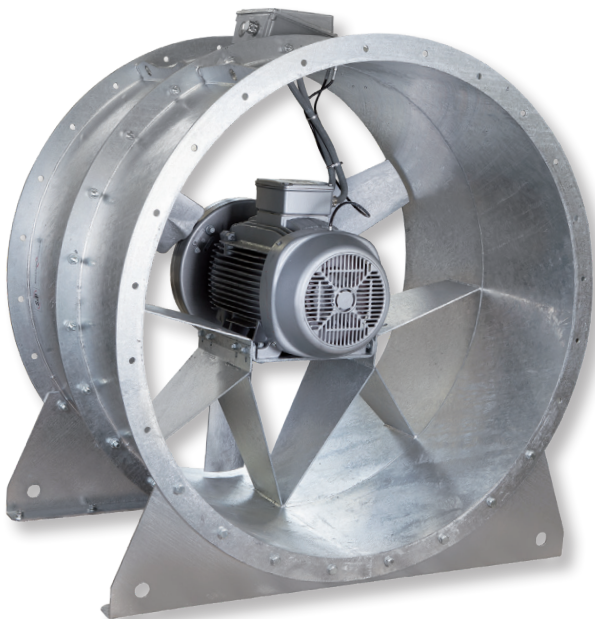




Short casing
(C version)



Long casing
(LK version)



Long casing
THGT 1250 - IEC250, 1400 & 1600
(LK version)



Soler&Palau Sistemas de Ventilación SLU certifies that this series is licensed to bear the AMCA Seal for Air Performance. The revision version is EasyVent v11, May 2020. Certification may be checked at <https://www.amca.org/certify>

Cased axial flow fans designed for smoke extract in fire conditions and certified F400-120, F300/F200-120 to EN 12101-3 (CE marked).

Casings formed from rolled sheet steel with a corrosion resistant hot dip galvanised finish to EN 1461. Corrosion category C4.

Variable pitch angle impeller, dynamically balanced to ISO 14694: G6.3, made from high grade aluminum. Hubs made from aluminium or pressed sheet steel, depending on diameter and mechanical requirements.

2 Poles F400-120 model with aluminium impeller-hub formed from a one piece casting.

All models are available in both short and long casing versions except 2 poles F400-120 model only supplied with long casing.

Standard air operation temperature range: -20°C to +40°C.

Short casing versions:

- (C) Standard
- (CK) Includes an external terminal box for ease of connection.

Long casing versions:

- (LK) Includes an external terminal box for ease of connection, and a spy hole to check impeller rotation.
- (LP) Includes an inspection door for easy access to motor.
- (LPK) Includes both external terminal box and inspection door.

Check EasyVent to select the most suitable configurations for the installation, and obtain the corresponding datasheets.

Motors

Single speed in 2 and 4 poles, depending on the version. Two speed in 4/8 poles.

IE3 efficiency category from 0,75kW onwards, IE2 minimum for lower kW motors.

IE4 efficiency category for motor powers from 75kW to 200kW.

Not applicable to 8 pole or two speed motors. F300-120 & F400-120 motors are IP55, class H insulation.

Electrical supplies:

Three phase 230/400V-50/60Hz up to 3 kW.

Three phase 380/415V-50Hz, for higher power motors and two speed motors.

Motors suitable for inverter control.

In emergency operation, no need for DOL or de-rating, as long as the VFTM range of VSDs is used, and/or requirements defined in EN 12101-3 are followed. Not valid for 2 Poles F400-120 version.

60Hz versions available in EasyVent.

Other data

Standard air direction Impeller-Motor (Form B). Suitable for horizontal (B, A) or vertical (BD, AU) mounting installation.

Diameters 1250 with motor size IEC250 and above, 1400 and 1600 with long casing version come with pre-mounted support feet for horizontal installation.

On request

Single speed motors in 6 poles.

Two speed motors in 2/4, 4/6 and 6/12 poles.

Air direction Motor-Impeller (Form A). (Not valid for 2 poles F400-120 version).

Reversible airflow version (AB).

Casing in stainless steel or paint finish.

Motors with PTC thermistor or heating resistors.



Specific applications



Officially approved to EN12101-3 standard. Certificate n° 0370-CPR-6216



Officially approved to EN12101-3 standard. Certificate n° 0370-CPR-6213



Car Parks



Soler&Palau Sistemas de Ventilación SLU certifies that this series is licensed to bear the AMCA Seal for Air Performance. The revision version is EasyVent v11, May 2020. Certification may be checked at <https://www.amca.org/certify>

Cased axial flow fans designed for smoke extract in fire conditions and certified F400-120 to EN 12101-3 (CE marked). Casings formed from rolled sheet steel with a corrosion resistant hot dip galvanised finish to EN 1461. Corrosion category C4. Aluminium impeller-hub formed from a one piece casting. Long casing with external terminal box. Standard air operation temperature range: -20°C to +40°C.

Check EasyVent to select the most suitable configurations for the installation, and obtain the corresponding datasheets.

Motors

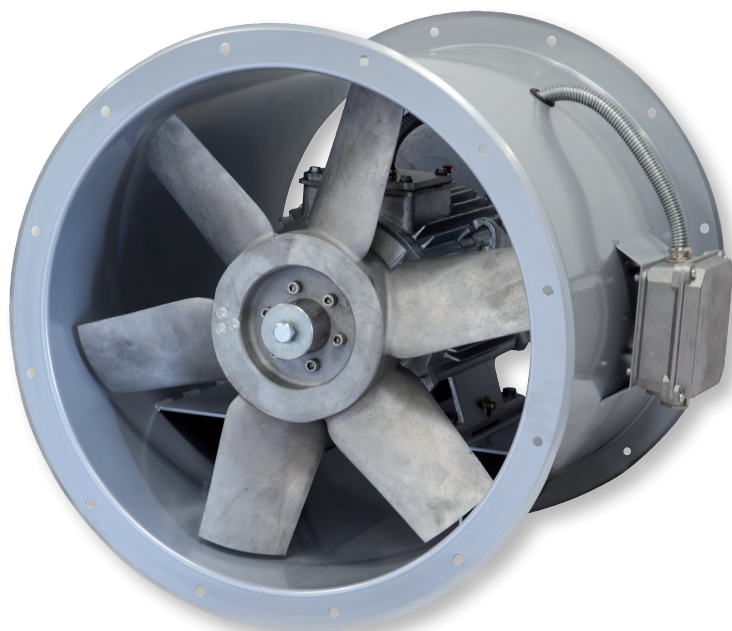
Single speed in 2 poles. IE3 efficiency category from 0,75kW onwards, IE2 minimum for lower kW motors. Not applicable to 8 pole or two speed motors. F400-120 motors IP55, class H insulation. Electrical supplies: Three phase 230/400V-50/60Hz up to 3kW. Three phase 380/415V-50Hz, for higher power motors and two speed motors. Motors suitable for inverter control. In emergency operation, consider by-pass for DOL supply or de-rating as defined in EN 12101-3.

Other data

Standard air direction Impeller-Motor (Form B). Suitable for horizontal (B) or vertical (BD) mounting installation.

On request

Two speed motors in 2/4 poles. Reversible airflow version (TJHT-SC). Casing in stainless steel or paint finish. Motors with PTC thermistor or heating resistors.



Terminal box
 External terminal box to ease the electrical connection.



Impeller dynamically balanced
 Aluminium impeller manufactured from one piece casting. Dynamically balanced, according to ISO 14694: G6.3, giving vibration free operation.



Specific applications



Officially approved to EN12101-3 standard. Certificate nº 0370-CPR-6239



Car Parks



Industrial kitchens



Motor approved S1 and S2
F400-120 and F300-120 certified motors approved for running continuously (S1) or for emergency operation (S2).



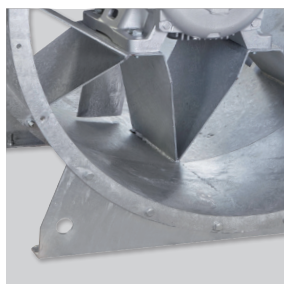
Corrosion resistance
Casings formed from rolled sheet steel with a corrosion resistant hot dip galvanised finish.



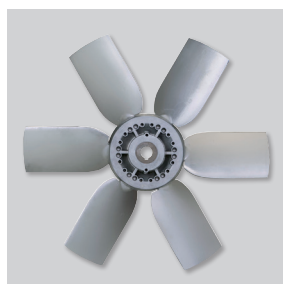
Motor support
Manufactured from sheet steel with a corrosion resistant hot dip galvanised or Magnelis® finish. Models from 400 to 800.



Aerodynamic motor support
Aerodynamic design of the motor support to optimise airflow performance models from 900 to 1250.



Motor support (1400 and 1600 mm diameter):
Welded on the fan casing. The whole assembly with a corrosion resistant hot dip galvanised finish.



Impeller dynamically balanced
According to ISO 14694: G6.3, providing vibration free operation.



Wide blade design higher pressure
Wide blade design to ensure the highest efficient airflow performances.
F400-120: Configuration 1: from 400 to 630 models.
Configuration 2: from 710 to 1600 models.
F300/F200-120: Configuration 1: from 400 to 800 models.
Configuration 2: from 900 to 1600 models.



Terminal box
External terminal box to ease the electrical connection.

REFERENCE

T	H	G	T	/	4	-	1	0	0	0	-	6	/	26	B	C	K	15kW	
1	2	3	4	5	6	7	8												

- 1 - Product range.
- 2 - Number of poles.
- 3 - Diameter*.
- 4 - Number of blades.
- 5 - Blade pitch angle.
- 6 - Airflow direction:
B (Impeller - Motor Standard)
A (Motor - Impeller)
BD (B-Down)
AU (A-Up)
AB (Reversible)

- 7 - Casing configuration:
C: Short casing. Standard.
CK: Short casing with external terminal box for ease of connection.
LK: Long casing with external terminal box for ease of connection, and a spy hole to check impeller rotation.
LP: Long casing with inspection door for easy access to motor.
LPK: Long casing with both external terminal box and inspection door.
- 8 - Motor power.

* For the 1400 and 1600 mm diameter fans the last "0" is replaced by a number and a letter indicating the hub diameter and blade type (e.g. 1409G)

Before installation check that the product electrical characteristics listed on the data plate label (voltage, power, frequency, etc.) match those of the intended electrical supply.

We reserve the right to use different motor suppliers, therefore the following data may differ.

TECHNICAL CHARACTERISTICS - F400 120 - 2 POLES - (ONE PIECE IMPELLER)

Model	Diameter (mm)	Motor power	Full load current at 400V (A)	Weight (kg)	Model	Diameter (mm)	Motor power	Full load current at 400V (A)	Weight (kg)
THGT/2-400-6/27 L	400	1,1	2,33	47	THGT/2-560-6/17 L	560	4	7,59	100
THGT/2-400-6/32 L	400	1,5	3,09	51	THGT/2-560-6/22 L	560	5,5	10,6	121
THGT/2-450-6/22 L	450	1,5	3,09	61	THGT/2-560-6/27 L	560	7,5	14,1	124
THGT/2-450-6/27 L	450	2,2	4,43	66	THGT/2-630-6/17 L	630	7,5	14,1	129
THGT/2-450-6/32 L	450	3	5,77	77	THGT/2-630-6/22 L	630	7,5	14,1	129
THGT/2-500-6/17 L	500	1,5	3,09	62	THGT/2-630-6/27 L	630	11	20	169
THGT/2-500-6/22 L	500	3	5,77	78					
THGT/2-500-6/27 L	500	4	7,59	84					

TECHNICAL CHARACTERISTICS - F300/F200 120 - 2 POLES

Model	Diameter (mm)	Motor power	Full load current at 400V (A)	Weight (kg)		Model	Diameter (mm)	Motor power	Full load current at 400V (A)	Weight (kg)	
				Short casing	Long casing					Short casing	Long casing
THGT/2-400-6/-1,1	400	1,1	2,33	41	47	THGT/2-560-6/-3	560	3	5,77	77	94
THGT/2-400-6/-1,5	400	1,5	3,09	45	51	THGT/2-560-6/-4	560	4	7,59	83	100
THGT/2-400-6/-2,2	400	2,2	4,43	50	56	THGT/2-560-6/-5,5	560	5,5	10,6	104	121
THGT/2-450-6/-1,5	450	1,5	3,09	52	61	THGT/2-560-6/-7,5	560	7,5	14,1	107	124
THGT/2-450-6/-2,2	450	2,2	4,43	57	66	THGT/2-560-6/-9,2	560	9,2	16,6	120	137
THGT/2-450-6/-3	450	3	5,77	69	77	THGT/2-630-6/-5,5	630	5,5	10,6	111	126
THGT/2-500-6/-2,2	500	2,2	4,43	58	67	THGT/2-630-6/-7,5	630	7,5	14,1	114	129
THGT/2-500-6/-3	500	3	5,77	69	78	THGT/2-630-6/-11 L	630	11	20	-	169
THGT/2-500-6/-4	500	4	7,59	75	84	THGT/2-630-6/-15 L	630	15	27,7	-	176
						THGT/2-630-6/-18,5 L	630	18,5	33,9	-	189

TECHNICAL CHARACTERISTICS - F300/F200 120 & F400 120 - 4 POLES

Model	Diameter (mm)	Motor power	Full load current at 400V (A)	Weight (kg)		Model	Diameter (mm)	Motor power	Full load current at 400V (A)	Weight (kg)	
				Short casing	Long casing					Short casing	Long casing
THGT/4-400-6/-0,25	400	0,25	0,6	35	41	THGT/4-800-9/-2,2	800	2,2	4,56	100	117
THGT/4-450-6/-0,25	450	0,25	0,6	43	51	THGT/4-800-9/-3	800	3	6,15	106	123
THGT/4-450-6/-0,37	450	0,37	0,87	43	52	THGT/4-800-9/-4	800	4	8,03	112	129
THGT/4-450-6/-0,55	450	0,55	1,38	43	52	THGT/4-800-9/-5,5	800	5,5	10,4	134	151
THGT/4-500-6/-0,55	500	0,55	1,38	44	53	THGT/4-800-9/-7,5	800	7,5	13,9	142	159
THGT/4-500-6/-0,75	500	0,75	1,62	49	58	THGT/4-900-3/-2,2	900	2,2	4,56	106	125
THGT/4-500-6/-1,1	500	1,1	2,35	54	63	THGT/4-900-3/-3	900	3	6,15	112	131
THGT/4-560-6/-0,55	560	0,55	1,38	52	69	THGT/4-900-3/-4	900	4	8,03	118	137
THGT/4-560-6/-0,75	560	0,75	1,62	57	74	THGT/4-900-3/-5,5	900	5,5	10,4	140	159
THGT/4-560-6/-1,1	560	1,1	2,35	62	79	THGT/4-900-3/-7,5	900	7,5	13,9	148	167
THGT/4-560-6/-1,5	560	1,5	3,17	65	82	THGT/4-900-6/-3	900	3	6,15	117	136
THGT/4-560-6/-2,2	560	2,2	4,56	74	91	THGT/4-900-6/-4	900	4	8,03	123	142
THGT/4-630-6/-0,75	630	0,75	1,62	64	79	THGT/4-900-6/-5,5	900	5,5	10,4	145	164
THGT/4-630-6/-1,1	630	1,1	2,35	69	84	THGT/4-900-6/-7,5	900	7,5	13,9	153	172
THGT/4-630-6/-1,5	630	1,5	3,17	72	87	THGT/4-900-6/-11	900	11	20,9	192	211
THGT/4-630-6/-2,2	630	2,2	4,56	81	96	THGT/4-900-9/-5,5	900	5,5	10,4	149	168
THGT/4-630-6/-3	630	3	6,15	87	102	THGT/4-900-9/-7,5	900	7,5	13,9	157	176
THGT/4-710-5/-1,1	710	1,1	2,35	66	90	THGT/4-900-9/-11	900	11	20,9	196	215
THGT/4-710-5/-1,5	710	1,5	3,17	69	93	THGT/4-900-9/-15	900	15	27,9	218	237
THGT/4-710-5/-2,2	710	2,2	4,56	78	102	THGT/4-1000-3/-3	1000	3	6,15	120	141
THGT/4-710-5/-3	710	3	6,15	84	108	THGT/4-1000-3/-4	1000	4	8,03	126	147
THGT/4-710-5/-4	710	4	8,03	90	114	THGT/4-1000-3/-5,5	1000	5,5	10,4	148	169
THGT/4-710-5/-5,5	710	5,5	10,4	112	136	THGT/4-1000-3/-7,5	1000	7,5	13,9	156	177
THGT/4-710-7/-1,1	710	1,1	2,35	72	92	THGT/4-1000-3/-11	1000	11	20,9	195	216
THGT/4-710-7/-1,5	710	1,5	3,17	75	95	THGT/4-1000-6/-4	1000	4	8,03	131	152
THGT/4-710-7/-2,2	710	2,2	4,56	84	104	THGT/4-1000-6/-5,5	1000	5,5	10,4	153	174
THGT/4-710-7/-3	710	3	6,15	90	110	THGT/4-1000-6/-7,5	1000	7,5	13,9	161	182
THGT/4-710-7/-4	710	4	8,03	96	116	THGT/4-1000-6/-11	1000	11	20,9	200	221
THGT/4-710-7/-5,5	710	5,5	10,4	118	138	THGT/4-1000-6/-15	1000	15	27,9	222	243
THGT/4-800-3/-1,1	800	1,1	2,35	81	98	THGT/4-1000-6/-18,5	1000	18,5	35,1	255	276
THGT/4-800-3/-1,5	800	1,5	3,17	84	101	THGT/4-1000-9/-7,5	1000	7,5	13,9	166	187
THGT/4-800-3/-2,2	800	2,2	4,56	93	110	THGT/4-1000-9/-11	1000	11	20,9	205	226
THGT/4-800-3/-3	800	3	6,15	99	116	THGT/4-1000-9/-15	1000	15	27,9	227	248
THGT/4-800-3/-4	800	4	8,03	105	122	THGT/4-1000-9/-18,5	1000	18,5	35,1	260	281
THGT/4-800-3/-5,5	800	5,5	10,4	127	144	THGT/4-1000-9/-22	1000	22	41	277	298
THGT/4-800-6/-1,5	800	1,5	3,17	87	104						
THGT/4-800-6/-2,2	800	2,2	4,56	96	113						
THGT/4-800-6/-3	800	3	6,15	102	119						
THGT/4-800-6/-4	800	4	8,03	108	125						
THGT/4-800-6/-5,5	800	5,5	10,4	130	147						
THGT/4-800-6/-7,5	800	7,5	13,9	138	155						

TECHNICAL CHARACTERISTICS - F300/F200 120 & F400 120 - 4 POLES (CONTINUATION)

Model	Diameter (mm)	Motor power	Full load current at 400V (A)	Weight (kg)		Model	Diameter (mm)	Motor power	Full load current at 400V (A)	Weight (kg)	
				Short casing	Long casing					Short casing	Long casing
THGT/4-1120-3/-4	1120	4	8,03	142	174	THGT/4-1250-12/-18,5	1250	18,5	35,1	300	342
THGT/4-1120-3/-5,5	1120	5,5	10,4	164	196	THGT/4-1250-12/-22	1250	22	41	317	359
THGT/4-1120-3/-7,5	1120	7,5	13,9	172	204	THGT/4-1250-12/-30	1250	30	57,1	360	402
THGT/4-1120-3/-11	1120	11	20,9	211	243	THGT/4-1250-12/-37	1250	37	66,8	497	539
THGT/4-1120-3/-15	1120	15	27,9	233	265	THGT/4-1250-12/-45	1250	45	80,9	532	574
THGT/4-1120-3/-18,5	1120	18,5	35,1	266	298	THGT/4-1250-12/-55	1250	55	98,6	770	910
THGT/4-1120-6/-11	1120	11	20,9	216	253	THGT/4-1409-3/-18,5	1409	18,5	35,1	440	594
THGT/4-1120-6/-15	1120	15	27,9	238	275	THGT/4-1409-3/-22	1409	22	41	457	611
THGT/4-1120-6/-18,5	1120	18,5	35,1	271	308	THGT/4-1409-3/-30	1409	30	57,1	500	654
THGT/4-1120-6/-22	1120	22	41	288	325	THGT/4-1409-3/-37	1409	37	66,8	637	791
THGT/4-1120-6/-30	1120	30	57,1	331	368	THGT/4-1409-3/-45	1409	45	80,9	672	826
THGT/4-1120-9/-11	1120	11	20,9	222	281	THGT/4-1409-3/-55	1409	55	98,6	721	875
THGT/4-1120-9/-15	1120	15	27,9	244	303	THGT/4-1409-3/-75	1409	75	134	913	1067
THGT/4-1120-9/-18,5	1120	18,5	35,1	277	336	THGT/4-1409-6/-30	1409	30	57,1	513	667
THGT/4-1120-9/-22	1120	22	41	294	353	THGT/4-1409-6/-37	1409	37	66,8	650	804
THGT/4-1120-9/-30	1120	30	57,1	337	396	THGT/4-1409-6/-45	1409	45	80,9	685	839
THGT/4-1120-9/-37	1120	37	66,8	474	533	THGT/4-1409-6/-55	1409	55	98,6	734	888
THGT/4-1120-9/-45	1120	45	80,9	509	568	THGT/4-1409-6/-75	1409	75	134	926	1080
THGT/4-1250-3/-7,5	1250	7,5	13,9	188	230	THGT/4-1409-6/-90	1409	90	158	996	1150
THGT/4-1250-3/-11	1250	11	20,9	227	269	THGT/4-1409-6/-110	1409	110	193	1251	1405
THGT/4-1250-3/-15	1250	15	27,9	249	291	THGT/4-1409-6/-132	1409	132	231	1311	1465
THGT/4-1250-3/-18,5	1250	18,5	35,1	282	324	THGT/4-1409-9/-45	1409	45	80,9	698	852
THGT/4-1250-3/-22	1250	22	41	299	341	THGT/4-1409-9/-55	1409	55	98,6	747	901
THGT/4-1250-3/-30	1250	30	57,1	342	384	THGT/4-1409-9/-75	1409	75	134	939	1093
THGT/4-1250-6/-15	1250	15	27,9	255	297	THGT/4-1409-9/-90	1409	90	158	1009	1163
THGT/4-1250-6/-18,5	1250	18,5	35,1	288	330	THGT/4-1409-9/-110	1409	110	193	1264	1418
THGT/4-1250-6/-22	1250	22	41	305	347	THGT/4-1409-9/-132	1409	132	231	1324	1478
THGT/4-1250-6/-30	1250	30	57,1	348	390	THGT/4-1409-9/-160	1409	160	280	1394	1548
THGT/4-1250-6/-37	1250	37	66,8	485	527	THGT/4-1409-12/-55	1409	55	98,6	760	914
THGT/4-1250-6/-45	1250	45	80,9	520	562	THGT/4-1409-12/-75	1409	75	134	952	1106
THGT/4-1250-9/-15	1250	15	27,9	261	303	THGT/4-1409-12/-90	1409	90	158	1022	1176
THGT/4-1250-9/-18,5	1250	18,5	35,1	294	336	THGT/4-1409-12/-110	1409	110	193	1277	1431
THGT/4-1250-9/-22	1250	22	41	311	353	THGT/4-1409-12/-132	1409	132	231	1337	1491
THGT/4-1250-9/-30	1250	30	57,1	354	396	THGT/4-1409-12/-160	1409	160	280	1407	1561
THGT/4-1250-9/-37	1250	37	66,8	491	533	THGT/4-1609-3/-37	1609	37	66,8	690	890
THGT/4-1250-9/-45	1250	45	80,9	526	568	THGT/4-1609-3/-45	1609	45	80,9	725	925
						THGT/4-1609-3/-55	1609	55	98,6	783	983
						THGT/4-1609-3/-75	1609	75	134	975	1175
						THGT/4-1609-3/-90	1609	90	158	1045	1245
						THGT/4-1609-3/-110	1609	110	193	1300	1500
						THGT/4-1609-3/-132	1609	132	231	1360	1560

TECHNICAL CHARACTERISTICS - F300/F200 120 & F400 120 - 4 POLES (CONTINUATION)

Model	Diameter (mm)	Motor power	Full load current at 400V (A)	Weight (kg)	
				Short casing	Long casing
THGT/4-1609-6/-55	1609	55	98,6	797	997
THGT/4-1609-6/-75	1609	75	134	989	1189
THGT/4-1609-6/-90	1609	90	158	1059	1259
THGT/4-1609-6/-110	1609	110	193	1314	1514
THGT/4-1609-6/-132	1609	132	231	1374	1574
THGT/4-1609-6/-160	1609	160	280	1444	1644
THGT/4-1609-9/-75	1609	75	134	1003	1203
THGT/4-1609-9/-90	1609	90	158	1073	1273
THGT/4-1609-9/-110	1609	110	193	1328	1528
THGT/4-1609-9/-132	1609	132	231	1388	1588
THGT/4-1609-9/-160	1609	160	280	1458	1658
THGT/4-1609-12/-75	1609	75	134	1018	1218
THGT/4-1609-12/-90	1609	90	158	1088	1288
THGT/4-1609-12/-110	1609	110	193	1343	1543
THGT/4-1609-12/-132	1609	132	231	1403	1603
THGT/4-1609-12/-160	1609	160	280	1473	1673

TECHNICAL CHARACTERISTICS - F300/F200 120 & F400 120 - 4/8 POLES

Model	Diameter (mm)	Motor power		Full load current 400V (A)		Weight (kg)	
		HS	LS	HS	LS	Short casing	Long casing
THGT/4/8-400-6/-0,55/0,09	400	0,55	0,09	1,7	0,8	41,1	47
THGT/4/8-450-6/-0,55/0,09	450	0,55	0,09	1,7	0,8	48,5	57
THGT/4/8-500-6/-0,55/0,09	500	0,55	0,09	1,7	0,8	49	58
THGT/4/8-500-6/-0,75/0,12	500	0,75	0,12	1,9	0,8	49	58
THGT/4/8-500-6/-1,1/0,18	500	1,1	0,18	2,7	1,2	61	70
THGT/4/8-560-6/-0,55/0,09	560	0,55	0,09	1,7	0,8	57	74
THGT/4/8-560-6/-0,75/0,12	560	0,75	0,12	1,9	0,8	57	74
THGT/4/8-560-6/-1,1/0,18	560	1,1	0,18	2,7	1,2	69	86
THGT/4/8-560-6/-1,5/0,25	560	1,5	0,25	3,7	1,6	72	89
THGT/4/8-560-6/-2,2/0,37	560	2,2	0,37	4,7	1,7	80	97
THGT/4/8-630-6/-0,55/0,09	630	0,55	0,09	1,7	0,8	64	79
THGT/4/8-630-6/-0,75/0,12	630	0,75	0,12	1,9	0,8	64	79
THGT/4/8-630-6/-1,1/0,18	630	1,1	0,18	2,7	1,2	76	91
THGT/4/8-630-6/-1,5/0,25	630	1,5	0,25	3,7	1,6	79	94
THGT/4/8-630-6/-2,2/0,37	630	2,2	0,37	4,7	1,7	87	102
THGT/4/8-630-6/-3/0,55	630	3	0,55	6,3	2,4	88	103
THGT/4/8-630-6/-4/0,75	630	4	0,75	8,4	2,3	95	110
THGT/4/8-710-5/-0,75/0,12	710	0,75	0,12	1,9	0,8	61	85
THGT/4/8-710-5/-1,1/0,18	710	1,1	0,18	2,7	1,2	73	97
THGT/4/8-710-5/-1,5/0,25	710	1,5	0,25	3,7	1,6	76	100
THGT/4/8-710-5/-2,2/0,37	710	2,2	0,37	4,7	1,7	84	108
THGT/4/8-710-5/-3/0,55	710	3	0,55	6,3	2,4	85	109
THGT/4/8-710-5/-4/0,75	710	4	0,75	8,4	2,3	92	116
THGT/4/8-710-5/-5,5/1,1	710	5,5	1,1	11,7	3,7	114	138
THGT/4/8-710-7/-1,1/0,18	710	1,1	0,18	2,7	1,2	79	99
THGT/4/8-710-7/-1,5/0,25	710	1,5	0,25	3,7	1,6	82	102
THGT/4/8-710-7/-2,2/0,37	710	2,2	0,37	4,7	1,7	90	110
THGT/4/8-710-7/-3/0,55	710	3	0,55	6,3	2,4	91	111
THGT/4/8-710-7/-4/0,75	710	4	0,75	8,4	2,3	98	118
THGT/4/8-710-7/-5,5/1,1	710	5,5	1,1	11,7	3,7	120	140
THGT/4/8-800-3/-1,1/0,18	800	1,1	0,18	2,7	1,2	88	105
THGT/4/8-800-3/-1,5/0,25	800	1,5	0,25	3,7	1,6	91	108
THGT/4/8-800-3/-2,2/0,37	800	2,2	0,37	4,7	1,7	99	116
THGT/4/8-800-3/-3/0,55	800	3	0,55	6,3	2,4	100	117
THGT/4/8-800-3/-4/0,75	800	4	0,75	8,4	2,3	107	124

Model	Diameter (mm)	Motor power		Full load current 400V (A)		Weight (kg)	
		HS	LS	HS	LS	Short casing	Long casing
THGT/4/8-800-6/-1,5/0,25	800	1,5	0,25	3,7	1,6	94	111
THGT/4/8-800-6/-2,2/0,37	800	2,2	0,37	4,7	1,7	102	119
THGT/4/8-800-6/-3/0,55	800	3	0,55	6,3	2,4	103	120
THGT/4/8-800-6/-4/0,75	800	4	0,75	8,4	2,3	110	127
THGT/4/8-800-6/-5,5/1,1	800	5,5	1,1	11,7	3,7	132	149
THGT/4/8-800-6/-7,5/1,5	800	7,5	1,5	15,9	4,7	145	162
THGT/4/8-800-9/-2,2/0,37	800	2,2	0,37	4,7	1,7	106	123
THGT/4/8-800-9/-3/0,55	800	3	0,55	6,3	2,4	107	124
THGT/4/8-800-9/-4/0,75	800	4	0,75	8,4	2,3	114	131
THGT/4/8-800-9/-5,5/1,1	800	5,5	1,1	11,7	3,7	136	153
THGT/4/8-800-9/-7,5/1,5	800	7,5	1,5	15,9	4,7	149	166
THGT/4/8-900-3/-2,2/0,37	900	2,2	0,37	4,7	1,7	112	131
THGT/4/8-900-3/-3/0,55	900	3	0,55	6,3	2,4	113	132
THGT/4/8-900-3/-4/0,75	900	4	0,75	8,4	2,3	120	139
THGT/4/8-900-3/-5,5/1,1	900	5,5	1,1	11,7	3,7	142	161
THGT/4/8-900-3/-7,5/1,5	900	7,5	1,5	15,9	4,7	155	174
THGT/4/8-900-6/-2,2/0,37	900	2,2	0,37	4,7	1,7	117	136
THGT/4/8-900-6/-3/0,55	900	3	0,55	6,3	2,4	118	137
THGT/4/8-900-6/-4/0,75	900	4	0,75	8,4	2,3	125	144
THGT/4/8-900-6/-5,5/1,1	900	5,5	1,1	11,7	3,7	147	166
THGT/4/8-900-6/-7,5/1,5	900	7,5	1,5	15,9	4,7	160	179
THGT/4/8-900-6/-11/3	900	11	3	21,0	7,0	191	210
THGT/4/8-900-9/-4/0,75	900	4	0,75	8,4	2,3	129	148
THGT/4/8-900-9/-5,5/1,1	900	5,5	1,1	11,7	3,7	151	170
THGT/4/8-900-9/-7,5/1,5	900	7,5	1,5	15,9	4,7	164	183
THGT/4/8-900-9/-11/3	900	11	3	21,0	7,0	195	214
THGT/4/8-900-9/-14/3,5	900	14	3,5	26,5	8,5	214	233
THGT/4/8-1000-3/-2,2/0,37	1000	2,2	0,37	4,7	1,7	120	141
THGT/4/8-1000-3/-3/0,55	1000	3	0,55	6,3	2,4	121	142
THGT/4/8-1000-3/-4/0,75	1000	4	0,75	8,4	2,3	128	149
THGT/4/8-1000-3/-5,5/1,1	1000	5,5	1,1	11,7	3,7	150	171
THGT/4/8-1000-3/-7,5/1,5	1000	7,5	1,5	15,9	4,7	163	184
THGT/4/8-1000-3/-11/3	1000	11	3	21,0	7,0	194	215
THGT/4/8-1000-6/-4/0,75	1000	4	0,75	8,4	2,3	133	154
THGT/4/8-1000-6/-5,5/1,1	1000	5,5	1,1	11,7	3,7	155	176
THGT/4/8-1000-6/-7,5/1,5	1000	7,5	1,5	15,9	4,7	168	189
THGT/4/8-1000-6/-11/3	1000	11	3	21,0	7,0	199	220
THGT/4/8-1000-6/-14/3,5	1000	14	3,5	26,5	8,5	218	239
THGT/4/8-1000-6/-17/4,3	1000	17	4,3	33,4	12,7	249	270
THGT/4/8-1000-6/-20/5	1000	20	5	38,6	14,1	264	285

TECHNICAL CHARACTERISTICS - F300/F200 120 & F400 120 - 4/8 POLES (CONTINUATION)

Model	Diameter (mm)	Motor power		Full load current 400V (A)		Weight (kg)	
		HS	LS	HS	LS	Short casing	Long casing
THGT/4/8-1000-9/-5,5/1,1	1000	5,5	1,1	11,7	3,7	160	181
THGT/4/8-1000-9/-7,5/1,5	1000	7,5	1,5	15,9	4,7	173	194
THGT/4/8-1000-9/-11/3	1000	11	3	21,0	7,0	204	225
THGT/4/8-1000-9/-14/3,5	1000	14	3,5	26,5	8,5	223	244
THGT/4/8-1000-9/-17/4,3	1000	17	4,3	33,4	12,7	254	275
THGT/4/8-1000-9/-20/5	1000	20	5	38,6	14,1	269	290
THGT/4/8-1120-3/-4/0,75	1120	4	0,75	8,4	2,3	144	176
THGT/4/8-1120-3/-5,5/1,1	1120	5,5	1,1	11,7	3,7	166	198
THGT/4/8-1120-3/-7,5/1,5	1120	7,5	1,5	15,9	4,7	179	211
THGT/4/8-1120-3/-11/3	1120	11	3	21,0	7,0	210	242
THGT/4/8-1120-3/-14/3,5	1120	14	3,5	26,5	8,5	229	261
THGT/4/8-1120-3/-17/4,3	1120	17	4,3	33,4	12,7	260	292
THGT/4/8-1120-3/-20/5	1120	20	5	38,6	14,1	275	307
THGT/4/8-1120-6/-7,5/1,5	1120	7,5	1,5	15,9	4,7	184	221
THGT/4/8-1120-6/-11/3	1120	11	3	21,0	7,0	215	252
THGT/4/8-1120-6/-14/3,5	1120	14	3,5	26,5	8,5	234	271
THGT/4/8-1120-6/-17/4,3	1120	17	4,3	33,4	12,7	265	302
THGT/4/8-1120-6/-20/5	1120	20	5	38,6	14,1	280	317
THGT/4/8-1120-6/-28/6,5	1120	28	6,5	52,0	18,0	338	375
THGT/4/8-1120-6/-30/8	1120	30	8	56,5	21,8	368	405
THGT/4/8-1120-9/-11/3	1120	11	3	21,0	7,0	221	280
THGT/4/8-1120-9/-14/3,5	1120	14	3,5	26,5	8,5	240	299
THGT/4/8-1120-9/-17/4,3	1120	17	4,3	33,4	12,7	271	330
THGT/4/8-1120-9/-20/5	1120	20	5	38,6	14,1	286	345
THGT/4/8-1120-9/-28/6,5	1120	28	6,5	52,0	18,0	344	403
THGT/4/8-1120-9/-30/8	1120	30	8	56,5	21,8	374	433
THGT/4/8-1120-9/-37/9,2	1120	37	9,2	74,2	25,4	477	536
THGT/4/8-1120-9/-44/11	1120	44	11	80,2	27,2	534	593
THGT/4/8-1250-3/-5,5/1,1	1250	5,5	1,1	11,7	3,7	182	224
THGT/4/8-1250-3/-7,5/1,5	1250	7,5	1,5	15,9	4,7	195	237
THGT/4/8-1250-3/-11/3	1250	11	3	21,0	7,0	226	268
THGT/4/8-1250-3/-14/3,5	1250	14	3,5	26,5	8,5	245	287
THGT/4/8-1250-3/-17/4,3	1250	17	4,3	33,4	12,7	276	318
THGT/4/8-1250-3/-20/5	1250	20	5	38,6	14,1	291	333
THGT/4/8-1250-3/-28/6,5	1250	28	6,5	52,0	18,0	349	391

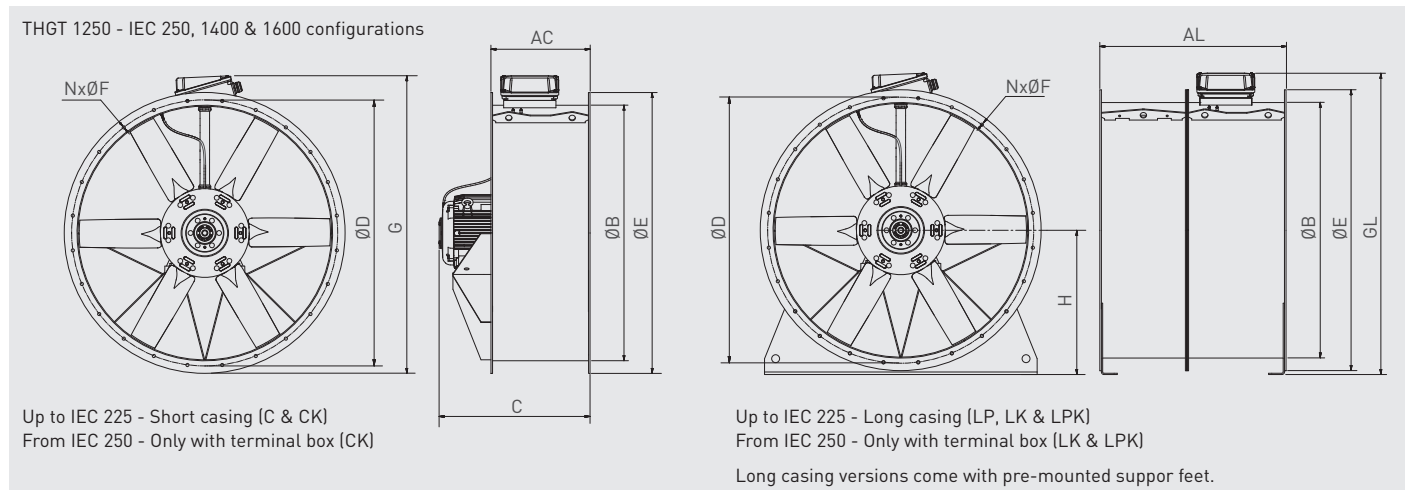
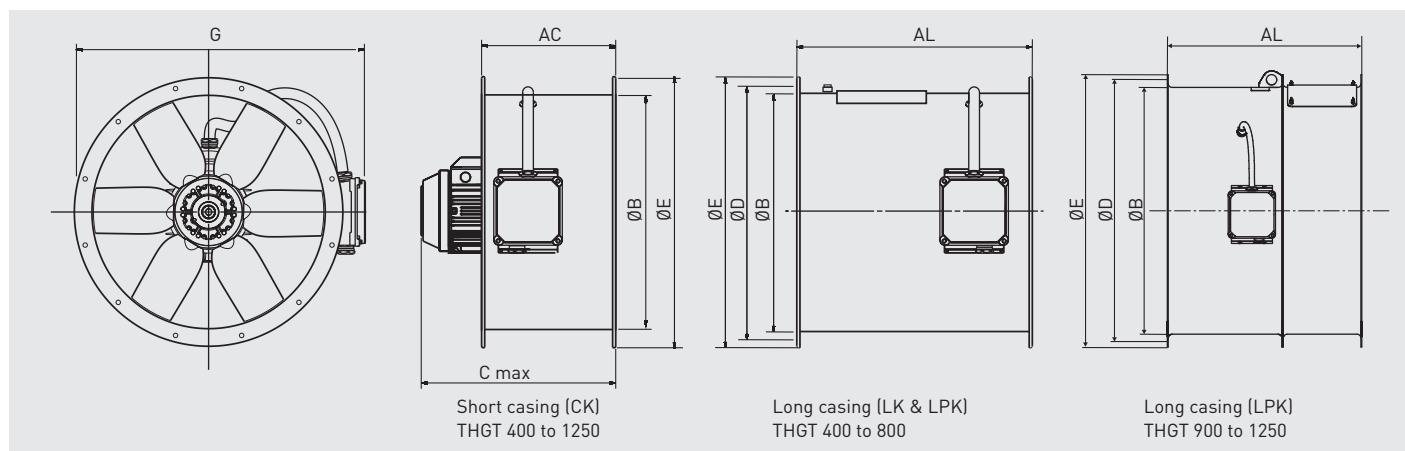
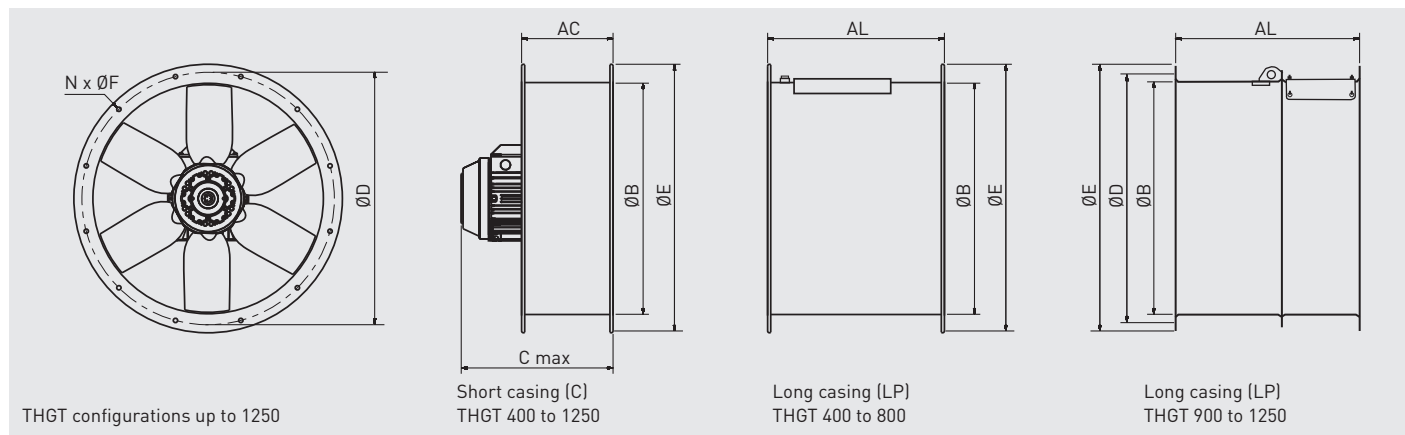
Model	Diameter (mm)	Motor power		Full load current 400V (A)		Weight (kg)	
		HS	LS	HS	LS	Short casing	Long casing
THGT/4/8-1250-6/-11/3	1250	11	3	21,0	7,0	232	274
THGT/4/8-1250-6/-14/3,5	1250	14	3,5	26,5	8,5	251	293
THGT/4/8-1250-6/-17/4,3	1250	17	4,3	33,4	12,7	282	324
THGT/4/8-1250-6/-20/5	1250	20	5	38,6	14,1	297	339
THGT/4/8-1250-6/-28/6,5	1250	28	6,5	52,0	18,0	355	397
THGT/4/8-1250-6/-30/8	1250	30	8	56,5	21,8	385	427
THGT/4/8-1250-6/-37/9,2	1250	37	9,2	74,2	25,4	488	530
THGT/4/8-1250-6/-44/11	1250	44	11	80,2	27,2	545	587
THGT/4/8-1250-9/-14/3,5	1250	14	3,5	26,5	8,5	257	299
THGT/4/8-1250-9/-17/4,3	1250	17	4,3	33,4	12,7	288	330
THGT/4/8-1250-9/-20/5	1250	20	5	38,6	14,1	303	345
THGT/4/8-1250-9/-28/6,5	1250	28	6,5	52,0	18,0	361	403
THGT/4/8-1250-9/-30/8	1250	30	8	56,5	21,8	391	433
THGT/4/8-1250-9/-37/9,2	1250	37	9,2	74,2	25,4	494	536
THGT/4/8-1250-9/-44/11	1250	44	11	80,2	27,2	551	593
THGT/4/8-1250-12/-17/4,3	1250	17	4,3	33,4	12,7	294	336
THGT/4/8-1250-12/-20/5	1250	20	5	38,6	14,1	309	351
THGT/4/8-1250-12/-28/6,5	1250	28	6,5	52,0	18,0	367	409
THGT/4/8-1250-12/-30/8	1250	30	8	56,5	21,8	397	439
THGT/4/8-1250-12/-37/9,2	1250	37	9,2	74,2	25,4	500	542
THGT/4/8-1250-12/-44/11	1250	44	11	80,2	27,2	557	599
THGT/4/8-1409-3/-14/3,5	1400	14	3,5	26,5	8,5	403	557
THGT/4/8-1409-3/-17/4,3	1400	17	4,3	33,4	12,7	434	588
THGT/4/8-1409-3/-20/5	1400	20	5	38,6	14,1	449	603
THGT/4/8-1409-3/-28/6,5	1400	28	6,5	52,0	18,0	507	661
THGT/4/8-1409-3/-30/8	1400	30	8	56,5	21,8	537	691
THGT/4/8-1409-3/-37/9,2	1400	37	9,2	74,2	25,4	640	794
THGT/4/8-1409-3/-44/11	1400	44	11	80,2	27,2	697	851
THGT/4/8-1409-3/-55/14,7	1400	55	14,7	100,0	36,5	731	885
THGT/4/8-1409-6/-28/6,5	1400	28	6,5	52,0	18,0	520	674
THGT/4/8-1409-6/-30/8	1400	30	8	56,5	21,8	550	704
THGT/4/8-1409-6/-37/9,2	1400	37	9,2	74,2	25,4	653	807
THGT/4/8-1409-6/-44/11	1400	44	11	80,2	27,2	710	864
THGT/4/8-1409-6/-55/14,7	1400	55	14,7	100,0	36,5	744	898
THGT/4/8-1409-6/-68/17	1400	68	17	127,0	44,0	946	1100
THGT/4/8-1409-6/-80/20	1400	80	20	149,0	51,5	986	1140
THGT/4/8-1409-6/-110/27	1400	110	27	196,0	65,3	1051	1205
THGT/4/8-1409-6/-130/33	1400	130	33	225,0	76,1	1081	1235

TECHNICAL CHARACTERISTICS - F300/F200 120 & F400 120 - 4/8 POLES (CONTINUATION)

Model	Diameter (mm)	Motor power		Full load current 400V (A)		Weight (kg)	
		HS	LS	HS	LS	Short casing	Long casing
THGT/4/8-1409-9/-37/9,2	1400	37	9,2	74,2	25,4	666	820
THGT/4/8-1409-9/-44/11	1400	44	11	80,2	27,2	723	877
THGT/4/8-1409-9/-55/14,7	1400	55	14,7	100,0	36,5	757	911
THGT/4/8-1409-9/-68/17	1400	68	17	127,0	44,0	959	1113
THGT/4/8-1409-9/-80/20	1400	80	20	149,0	51,5	999	1153
THGT/4/8-1409-9/-110/27	1400	110	27	196,0	65,3	1064	1218
THGT/4/8-1409-9/-130/33	1400	130	33	225,0	76,1	1094	1248
THGT/4/8-1409-9/-160/40	1400	160	40	292,0	107,0	1214	1368
THGT/4/8-1409-12/-55/14,7	1400	55	14,7	100,0	36,5	770	924
THGT/4/8-1409-12/-68/17	1400	68	17	127,0	44,0	972	1126
THGT/4/8-1409-12/-80/20	1400	80	20	149,0	51,5	1012	1166
THGT/4/8-1409-12/-110/27	1400	110	27	196,0	65,3	1077	1231
THGT/4/8-1409-12/-130/33	1400	130	33	225,0	76,1	1107	1261
THGT/4/8-1409-12/-160/40	1400	160	40	292,0	107,0	1227	1381
THGT/4/8-1609-3/-30/8	1600	30	8	56,5	21,8	590	790
THGT/4/8-1609-3/-37/9,2	1600	37	9,2	74,2	25,4	693	893
THGT/4/8-1609-3/-44/11	1600	44	11	80,2	27,2	750	950
THGT/4/8-1609-3/-55/14,7	1600	55	14,7	100,0	36,5	793	993
THGT/4/8-1609-3/-68/17	1600	68	17	127,0	44,0	995	1195
THGT/4/8-1609-3/-80/20	1600	80	20	149,0	51,5	1035	1235
THGT/4/8-1609-3/-110/27	1600	110	27	196,0	65,3	1100	1300
THGT/4/8-1609-3/-130/33	1600	130	33	225,0	76,1	1130	1330

Model	Diameter (mm)	Motor power		Full load current 400V (A)		Weight (kg)	
		HS	LS	HS	LS	Short casing	Long casing
THGT/4/8-1609-6/-55/14,7	1600	55	14,7	100,0	36,5	807	1007
THGT/4/8-1609-6/-68/17	1600	68	17	127,0	44,0	1009	1209
THGT/4/8-1609-6/-80/20	1600	80	20	149,0	51,5	1049	1249
THGT/4/8-1609-6/-110/27	1600	110	27	196,0	65,3	1114	1314
THGT/4/8-1609-6/-130/33	1600	130	33	225,0	76,1	1144	1344
THGT/4/8-1609-6/-160/40	1600	160	40	292,0	107,0	1264	1464
THGT/4/8-1609-9/-68/17	1600	68	17	127,0	44,0	1023	1223
THGT/4/8-1609-9/-80/20	1600	80	20	149,0	51,5	1063	1263
THGT/4/8-1609-9/-110/27	1600	110	27	196,0	65,3	1128	1328
THGT/4/8-1609-9/-130/33	1600	130	33	225,0	76,1	1158	1358
THGT/4/8-1609-9/-160/40	1600	160	40	292,0	107,0	1278	1478
THGT/4/8-1609-12/-80/20	1600	80	20	149,0	51,5	1078	1278
THGT/4/8-1609-12/-110/27	1600	110	27	196,0	65,3	1143	1343
THGT/4/8-1609-12/-130/33	1600	130	33	225,0	76,1	1173	1373
THGT/4/8-1609-12/-160/40	1600	160	40	292,0	107,0	1293	1493

DIMENSIONS (mm)



Model	AC	AL	B	C	D	E	F	G	GL	H	N
400	250	380	400	402	450	487	12	558	-	-	8
450	250	480	450	457	500	537	12	613	-	-	8
500	250	480	500	467	560	595	12	662	-	-	12
560	280	600	560	564	620	655	12	726	-	-	12
630	280	700	630	564	690	725	12	795	-	-	12
710	380	600	710	564	770	806	12	849	-	-	16
800	380	600	800	564	860	896	12	940	-	-	16
900	450	750	900	737	970	1005	15	1045	-	-	16
1000	450	780	1000	767	1070	1105	15	1145	-	-	16
1120	500	1150	1120	950	1190	1225	15	1268	-	-	20
1250	500	1150	1250	950	1320	1355	15	1421	-	-	20
1250 - IEC 250	625	1175	1250	830	1320	1358	15	1505	-	-	20
1409	625	1175	1400	1130	1470	1512	15	1659	1663	781	20
1609	625	1275	1600	1250	1680	1772	20	1900	1910	910	24

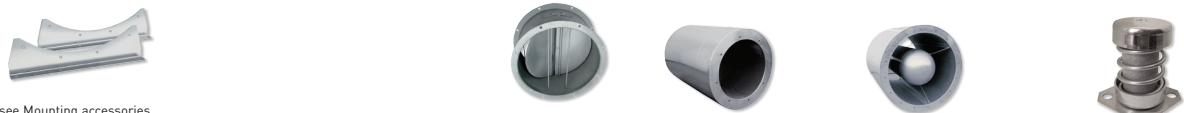
* Dimensions corresponding to the largest motor available for the range. For more detailed information depending on the working point, please refer to Easyvent.

MOUNTING ACCESSORIES

Model	Circular duct matching flange	Bellmouth protection guard	Circular flexible connector	Inlet grille guard	Outlet grille guard
400	ARO BRIDA TGT/THGT-400 N	EMB- 400T or S	ACOPEL F400-400/160 N	DEF.ASP.TGT/THGT-400 (impeller side)	DEF.DES.TGT/THGT-400 (motor side)
450	ARO BRIDA TGT/THGT-450 N	EMB- 450T or S	ACOPEL F400-450/160 N	DEF.ASP.TGT/THGT-450 (impeller side)	DEF.DES.TGT/THGT-450 (motor side)
500	ARO BRIDA TGT/THGT-500 N	EMB- 500T or S	ACOPEL F400-500/160 N	DEF.ASP.TGT/THGT-500 (impeller side)	DEF.DES.TGT/THGT-500 (motor side)
560	ARO BRIDA TGT/THGT-560 N	EMB- 560T or S	ACOPEL F400-560/160 N	DEF.ASP.TGT/THGT-560 (impeller side)	DEF.DES.TGT/THGT-560 (motor side)
630	ARO BRIDA TGT/THGT-630 N	EMB- 630T or S	ACOPEL F400-630/160 N	DEF.ASP.TGT/THGT-630 (impeller side)	DEF.DES.TGT/THGT-630 (motor side)
710	ARO BRIDA TGT/THGT-710 N	EMB- 710T	ACOPEL F400-710/180 N	DEF.ASP.TGT/THGT-710 (impeller side)	DEF.DES.TGT/THGT-710 (motor side)
800	ARO BRIDA TGT/THGT-800 N	EMB- 800T	ACOPEL F400-800/180 N	DEF.ASP.TGT/THGT-800 (impeller side)	DEF.DES.TGT/THGT-800 (motor side)
900	ARO BRIDA TGT/THGT-900 N	EMB- 900T or S	ACOPEL F400-900/180 N	DEF.ASP.TGT/THGT-900 (impeller side)	DEF.DES.TGT/THGT-900 (motor side)
1000	ARO BRIDA TGT/THGT-1000 N	EMB- 1000T or S	ACOPEL F400-1000/180 N	DEF.ASP.TGT/THGT-1000 (impeller side)	DEF.DES.TGT/THGT-1000 (motor side)
1120	ARO BRIDA TGT/THGT-1120 N	EMB- 1120T or S	ACOPEL F400-1120/200 N	DEF.ASP.TGT/THGT-1120 (impeller side)	DEF.DES.TGT/THGT-1120 (motor side)
1250	ARO BRIDA TGT/THGT-1250 N	EMB- 1250T or S	ACOPEL F400-1250/200 N	DEF.ASP.TGT/THGT-1250 (impeller side)	DEF.DES.TGT/THGT-1250 (motor side)
1400	ARO BRIDA TGT/THGT-1400 N	EMB- 1400T or S	ACOPEL F400-1400/200 N	DEF.ASP.TGT/THGT-1400 (impeller side)	DEF.DES.TGT/THGT-1400 (motor side)
1600	ARO BRIDA TGT/THGT-1600 N	EMB- 1600T or S	ACOPEL F400-1600/200 N	DEF.ASP.TGT/THGT-1600 (impeller side)	DEF.DES.TGT/THGT-1600 (motor side)

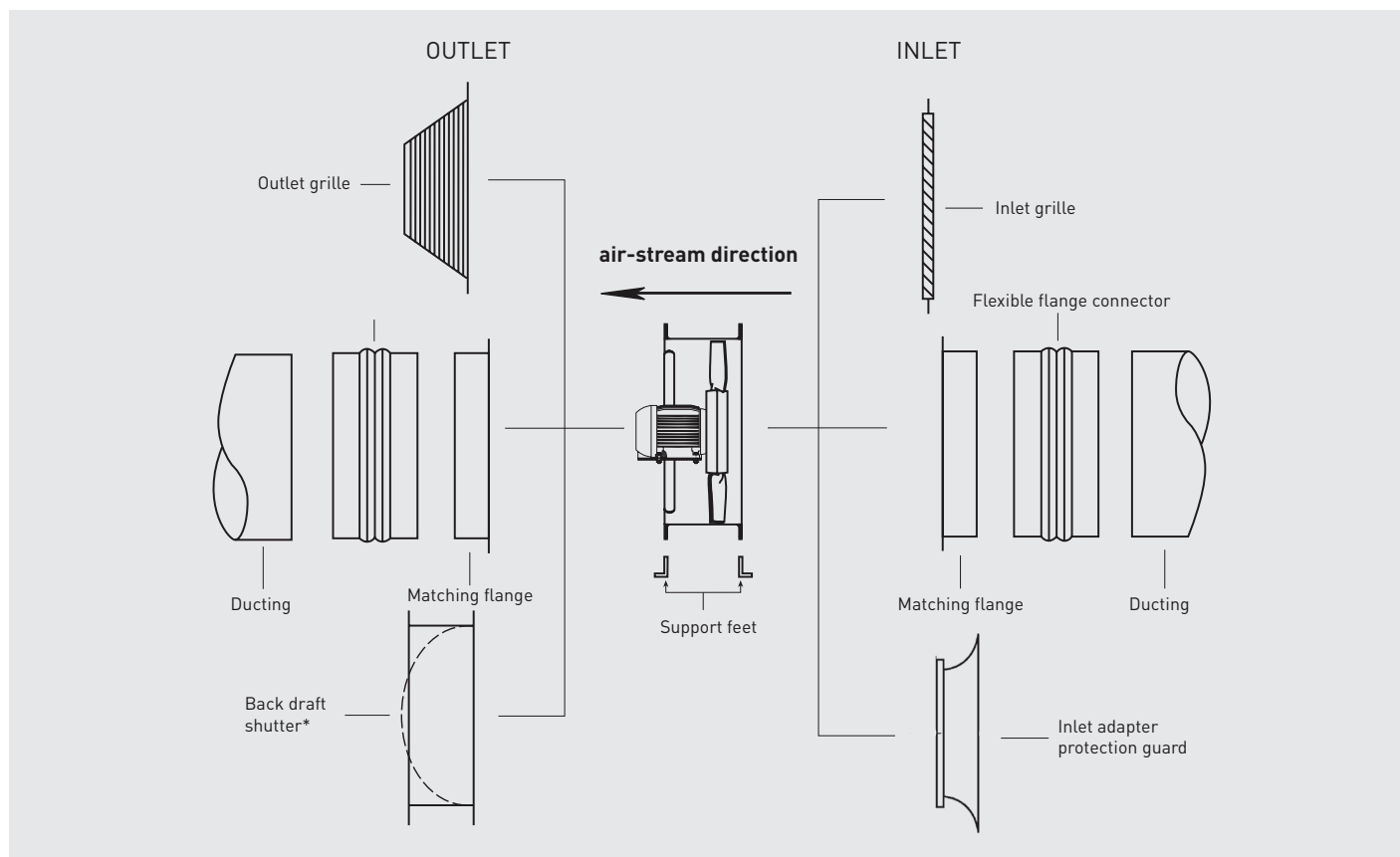


Model	Support feet (horizontal)	Support feet (vertical)	Back draft shutter	Circular sound attenuator	Attenuator with acoustic pod	Antivibration mount
400	PIE SOP.TGT/THGT-400	PIE SOP.TGT/THGT-400 V	CLAR-400	SIL CZ 400	SIL CZO 400	Divide the total weight of the fan by 4, as you need 4 antivibration mounts per unit. (see the table in the mounting accessories).
450	PIE SOP.TGT/THGT-450	PIE SOP.TGT/THGT-450 V	CLAR-450	SIL CZ 450	SIL CZO 450	
500	PIE SOP.TGT/THGT-500	PIE SOP.TGT/THGT-500 V	CLAR-500	SIL CZ 500	SIL CZO 500	
560	PIE SOP.TGT/THGT-560	PIE SOP.TGT/THGT-560 V	CLAR 560	SIL CZ 560	SIL CZO 560	
630	PIE SOP.TGT/THGT-630	PIE SOP.TGT/THGT-630 V	CLAR 630	SIL CZ 630	SIL CZO 630	
710	PIE SOP.TGT/THGT-710	PIE SOP.TGT/THGT-710 V	CLAR 710	SIL CZ 710	SIL CZO 710	
800	PIE SOP.TGT/THGT-800	PIE SOP.TGT/THGT-800 V	CLAR 800	SIL CZ 800	SIL CZO 800	
900	PIE SOP.TGT/THGT-900	PIE SOP.TGT/THGT-900 V	CLAR 900	SIL CZ 900	SIL CZO 900	
1000	PIE SOP.TGT/THGT-1000	PIE SOP.TGT/THGT-1000 V	CLAR 1000	SIL CZ 1000	SIL CZO 1000	
1120	PIE SOP.TGT/THGT-1120	PIE SOP.TGT/THGT-1120 V	CLAR 1120	SIL CZ 1120	SIL CZO 1120	
1250	PIE SOP.TGT/THGT-1250	PIE SOP.TGT/THGT-1250 V	CLAR 1250	SIL CZ 1250	SIL CZO 1250	
1400	PIE SOP.TGT/THGT-1400	PIE SOP.TGT/THGT-1400 V	CLAR 1400	SIL CZ 1400	SIL CZO 1400	
1600	PIE SOP.TGT/THGT-1600	PIE SOP.TGT/THGT-1600 V	CLAR 1600	SIL CZ 1600	SIL CZO 1600	



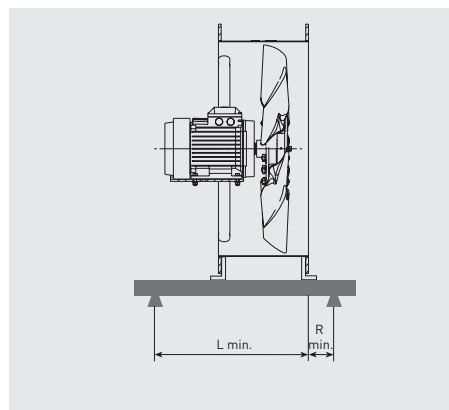
For more information see Mounting accessories.

INSTALLATION OF THE MOUNTING ACCESSORIES



For more information see Mounting accessories.
* For long casing version.

FITTING ANTI-VIBRATION MOUNTS IN THE SHORT CASING MODELS



When fitting anti-vibration mountings, short casing models, it is recommended they are fitted to a suitable support frame (not supplied by S&P) following the minimum distances as specified in the table.

THGT model	L min.	R min.	Total
400	370	60	430
450	430	70	500
500	440	70	510
560	550	80	630
630	550	80	630
710	550	80	630
800	550	90	640
900	750	100	850
1000	750	100	850
1120	900	100	1000
1250	900	100	1000
1400	1230	100	1330
1600	1350	100	1450