

VAV-Universal, ready-to-connect rotary actuator for VAV and CAV units in technical building installations

- Torque motor 20 Nm
- Nominal voltage AC/DC 24 V
- Control communicative PP


Technical data

| | | |
|------------------------|--|--|
| Electrical data | Nominal voltage | AC/DC 24 V |
| | Nominal voltage frequency | 50/60 Hz |
| | Nominal voltage range | AC 19.2...28.8 V / DC 21.6...28.8 V |
| | Power consumption in operation | 2 W |
| | Power consumption in rest position | 0.4 W |
| | Power consumption for wire sizing | 4 VA |
| | Connection supply / control | Cable 0.5 m with VST connector |
| | Parallel operation | No |
| Functional data | Torque motor | 20 Nm |
| | Direction of motion variable | At VRU...-BAC with Belimo Assistant App |
| | Manual override | with push-button, can be locked |
| | Running time motor | 120 s / 90° |
| | Adaptation setting range variable | Triggering at VRU...-BAC, by pressing the Adaption button or with Belimo Assistant App |
| | Sound power level, motor | 45 dB(A) |
| | Mechanical interface | Universal shaft clamp 10...20 mm |
| | Position indication | Mechanically, pluggable |
| Safety data | Protection class IEC/EN | III Safety Extra-Low Voltage (SELV) |
| | Degree of protection IEC/EN | IP54 |
| | EMC | CE according to 2014/30/EU |
| | Certification IEC/EN | IEC/EN 60730-1 and IEC/EN 60730-2-14 |
| | Mode of operation | Type 1 |
| | Rated impulse voltage supply / control | 0.8 kV |
| | Control pollution degree | 3 |
| | Ambient temperature | -30...50°C |
| | Storage temperature | -40...80°C |
| | Ambient humidity | Max. 95% r.H., non-condensing |
| Servicing | maintenance-free | |
| Weight | Weight | 0.50 kg |

Safety notes



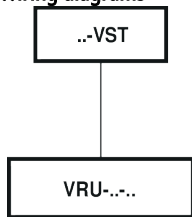
- The device must not be used outside the specified field of application, especially not in aircraft or in any other airborne means of transport.
- Outdoor application: only possible in case that no (sea) water, snow, ice, insulation or aggressive gases interfere directly with the device and that it is ensured that the ambient conditions remain within the thresholds according to the data sheet at any time.
- Only authorised specialists may carry out installation. All applicable legal or institutional installation regulations must be complied during installation.
- The device may only be opened at the manufacturer's site. It does not contain any parts that can be replaced or repaired by the user.
- Cables must not be removed from the device.
- Self adaption is necessary when the system is commissioned and after each adjustment of the angle of rotation (press the adaption push-button once).
- To calculate the torque required, the specifications supplied by the damper manufacturers concerning the cross-section, the design, the installation site and the ventilation conditions must be observed.
- The device contains electrical and electronic components and must not be disposed of as household refuse. All locally valid regulations and requirements must be observed.

Accessories

| Electrical accessories | Description | Type |
|------------------------|--|-------------|
| | VAV-Universal - Volumetric flow / strand pressure controller | VRU-D3-BAC |
| | VAV-Universal - Volumetric flow / strand pressure controller | VRU-M1-BAC |
| | VAV-Universal - room pressure controller | VRU-M1R-BAC |

Electrical installation

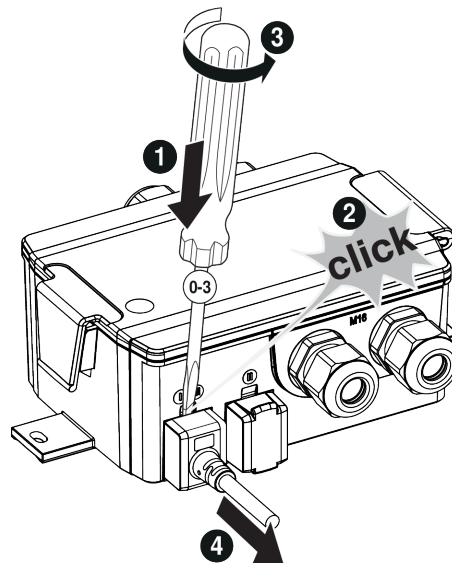
Wiring diagrams



Plug-in connection with pre-assembled cable-plug unit

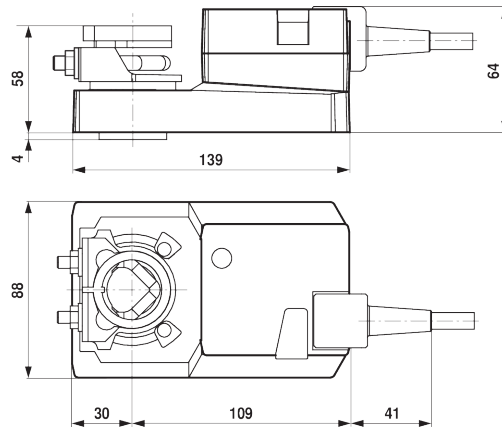
Installation notes

Installation situation Remove actuator cable:
 The connecting cable of the VST damper actuator can be removed from the VRU controller using a screwdriver (size 0...3) as shown in the illustration.



Dimensions

Dimensional drawings



Clamping range

