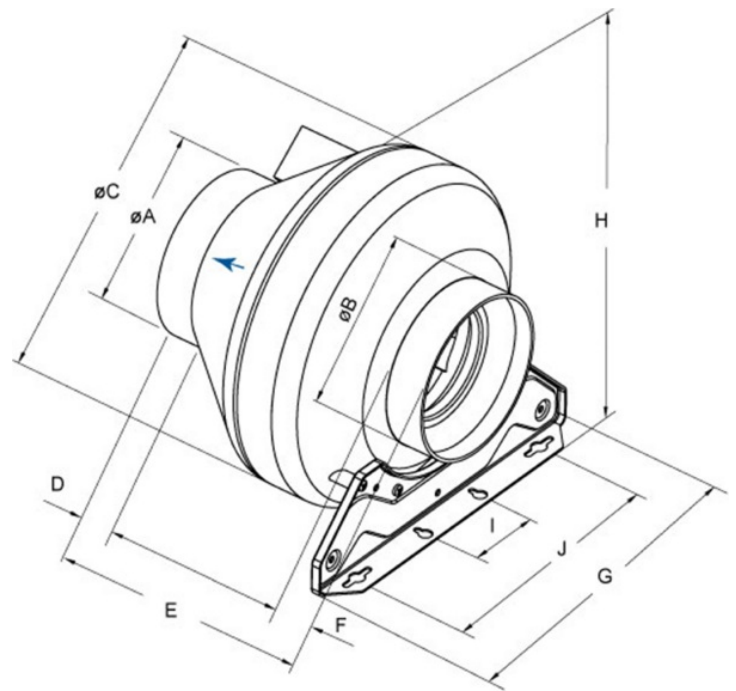




Technical parameters

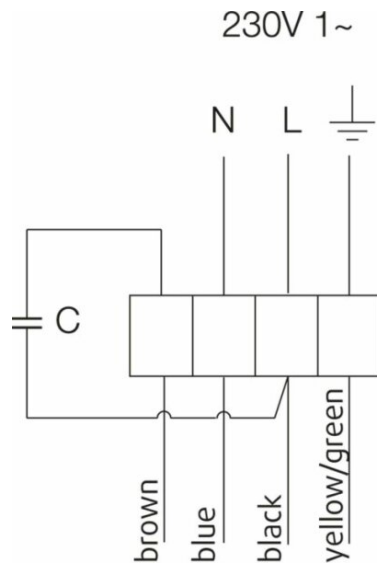
Nominal data	
Voltage (nominal)	230 V
Frequency	50 Hz
Phases	1~
Input power	109 W
Input current	0.476 A
Impeller speed	2,518 rpm
Air flow	max 860 m ³ /h
Capacitance of capacitor	3 µF
Temperature of transported air	max 70 °C
Max temperature of transported air, when speed controlled	70 °C
Sound data	
Sound pressure level at 3m (20m ² Sabin)	40 dB(A)
Protection/Classification	
Enclosure class, motor	IP44
Insulation class	F
Data according to ErP	
Energy class, Basic unit	E
Energy class, Local demand	B
ErP ready	ErP 2016; ErP 2018
Dimensions and weights	
Duct dimension; Circular, inlet	250 mm
Duct dimension; Circular, outlet	250 mm
Weight	3.3 kg
Others	
Duct connection type	Circular
Motor type	AC

Dimension

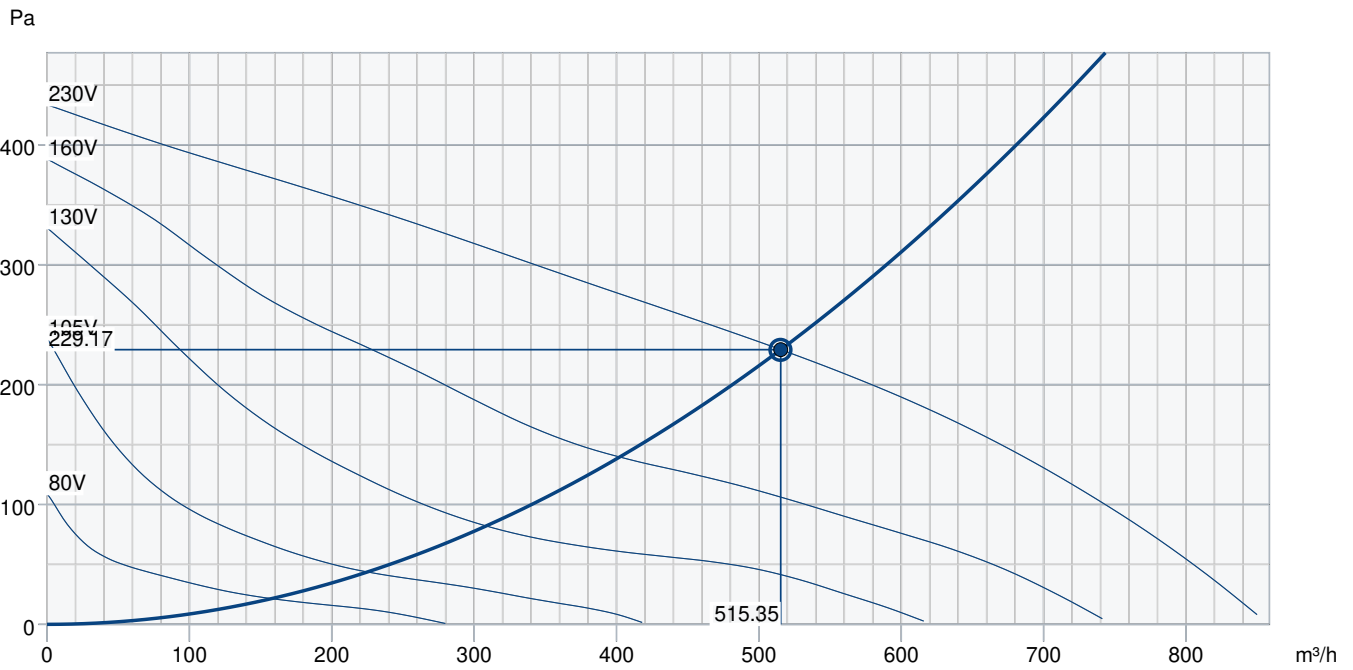


	øA	øB	øC	D	E	F	G	H	I	J
RVK 250	249	249	341	30	229	30	272	360	60	200

Wiring



Performance curve



Hydraulic data										
Required air flow		515 m³/h								
Required static pressure		229 Pa								
Working air flow		515 m³/h								
Working static pressure		229 Pa								
Air density		1.204 kg/m³								
Power		109.0 W								
Fan control - RPM		2,518 rpm								
Current		0.50 A								
SFP		0.761 kW/m³/s								
Control voltage		230.0 V								
Supply voltage		230 V								
Sound power level		63	125	250	500	1k	2k	4k	8k	Total
Inlet	dB(A)	50	59	62	59	59	58	54	48	67
Outlet	dB(A)	47	58	57	59	57	58	54	49	65
Surrounding	dB(A)	28	30	38	43	41	38	34	26	47
Sound pressure level at 3m (20m² Sabine)	dB(A)	-	-	-	-	-	-	-	-	40
Sound pressure level at 3m free field	dB(A)	-	-	-	-	-	-	-	-	26
Accessories										

Accessories

Frequency converter FRQ5SE-6A (37421)
REE 1 Speed control (5314)
REV-3POL/03-7,5kW R/Y (33978)
VKK-250 Back draft damper (1627)
Frequency converter FRQSE-6A (37419)
CB 250-9,0 400V/3 Duct heater (5373)
CBMF 250-3,0 230V/1 Duct heater (12248)
CWK 250-3-2,5 Duct cooler,circ (30024)
FGR 250 Filter cassette (1815)
LDC 250-900 Silencer (5196)
VBC 250-2 Water heating batt (5460)
VBF 250 Water heating battery (1733)
VK-25 Louvre shutter (87687)

RE 1,5 Speed control (5000)
REU 1.5 Speed control (5004)
SG 250 Protection guard (5610)
CB 250-6,0 400V/2 Duct heater (5372)
CB 250-3,0 230V/1 Duct heater (5385)
CBM 250-6,0 400V/2 Duct heater (9089)
CBMF 250-6,0 400V/2 Duct heater (12249)
FFR 250 Filter cassette (1776)
FK 250 Fast clamp (1612)
RSK-250 Back draft damper (5603)
VBC 250-3 Water heating batt (9843)
VK-25 Louvre shutter (5640)
IGC-250 Intake grille (76878)

Documents

MANUAL_RVK_EN_003.PDF

rvk250_kpl.dxf

EU DECLARATION OF CONFORMITY_RVK_EN_005.PDF

PP compound (30% glass fibre content).pdf