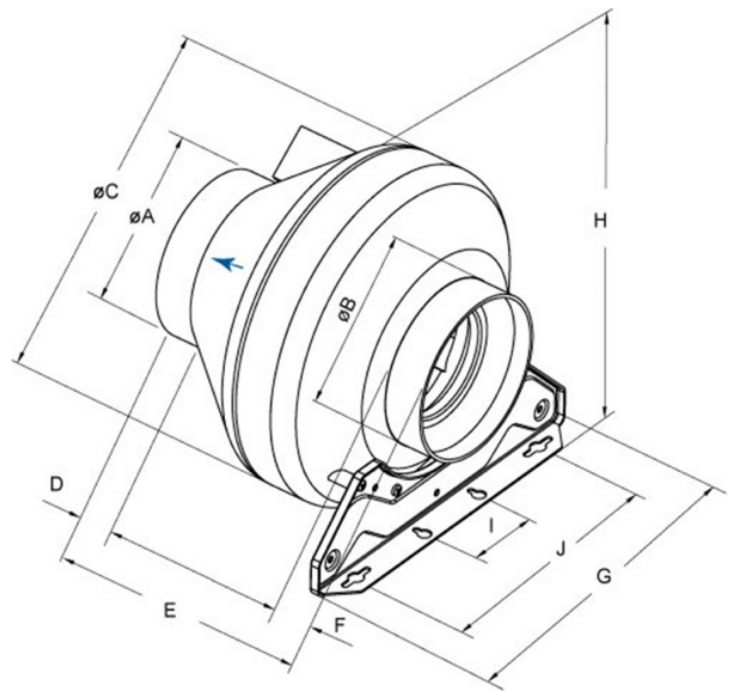




Technical parameters

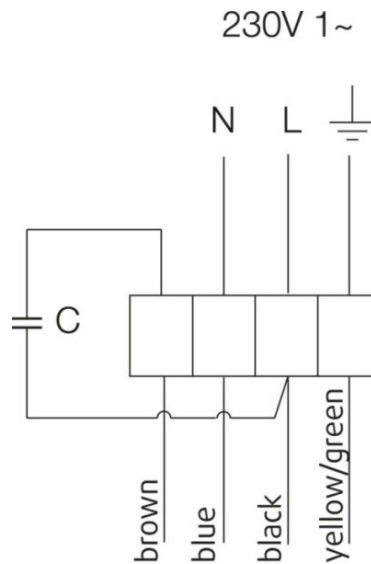
Nominal data	
Voltage (nominal)	230 V
Frequency	50 Hz
Phases	1~
Input power	104 W
Input current	0.46 A
Impeller speed	2,495 rpm
Air flow	max 796 m ³ /h
Capacitance of capacitor	3 µF
Temperature of transported air	max 70 °C
Max temperature of transported air, when speed controlled	70 °C
Sound data	
Sound pressure level at 3m (20m ² Sabin)	42 dB(A)
Protection/Classification	
Enclosure class, motor	IP44
Insulation class	F
Data according to ErP	
Energy class, Basic unit	E
Energy class, Local demand	B
ErP ready	ErP 2016; ErP 2018
Dimensions and weights	
Duct dimension; Circular, inlet	200 mm
Duct dimension; Circular, outlet	200 mm
Weight	3.3 kg
Others	
Duct connection type	Circular
Motor type	AC

Dimension

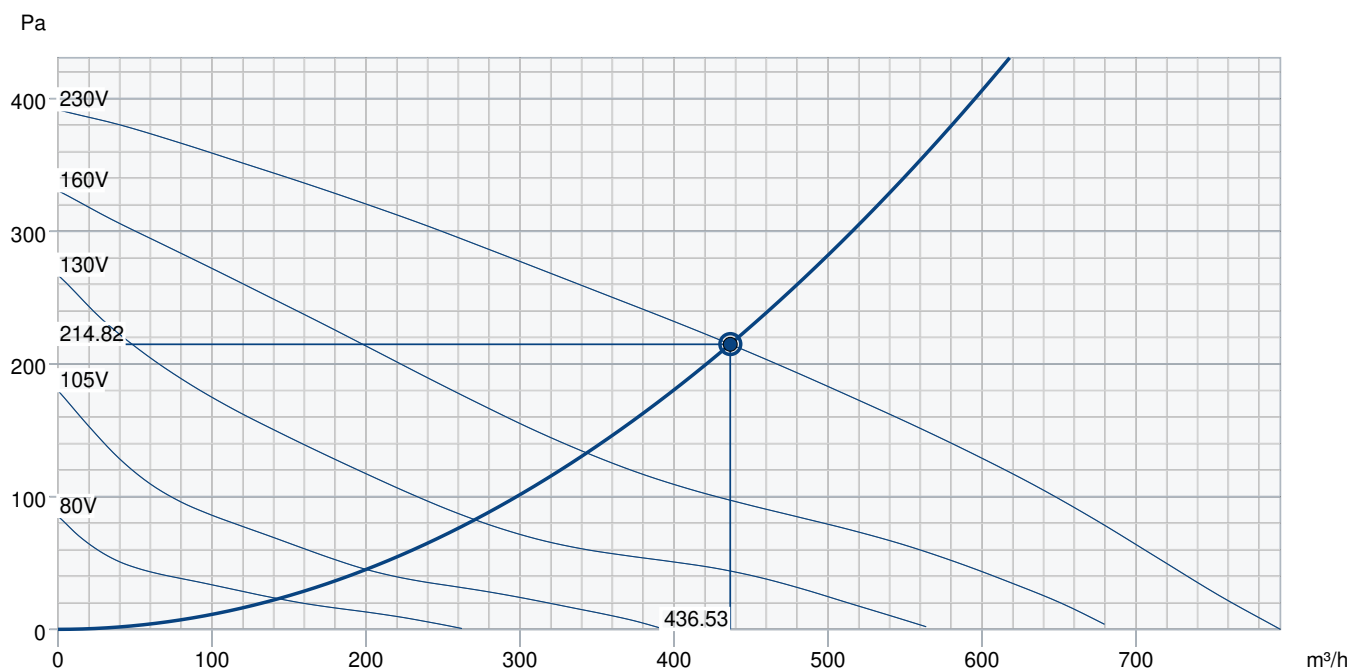


	øA	øB	øC	D	E	F	G	H	I	J
RVK 200	199	199	341	30	229	30	272	360	60	200

Wiring



Performance curve



Hydraulic data

Required air flow	437 m³/h
Required static pressure	215 Pa
Working air flow	437 m³/h
Working static pressure	215 Pa
Air density	1.204 kg/m³
Power	104.5 W
Fan control - RPM	2,497 rpm
Current	0.50 A
SFP	0.862 kW/m³/s
Control voltage	230.0 V
Supply voltage	230 V

Sound power level		63	125	250	500	1k	2k	4k	8k	Total
Inlet	dB(A)	42	59	60	62	61	60	56	48	68
Outlet	dB(A)	48	56	55	61	57	59	56	50	66
Surrounding	dB(A)	17	27	33	45	43	43	37	27	49
Sound pressure level at 3m (20m² Sabine)	dB(A)	-	-	-	-	-	-	-	-	42
Sound pressure level at 3m free field	dB(A)	-	-	-	-	-	-	-	-	28

Accessories

Accessories

Frequency converter FRQ5SE-6A (37421)

REE 1 Speed control (5314)

REV-3POL/03-7,5kW R/Y (33978)

VKK-200 Back draft damper (1626)

IGK-200 Wall Grid (1633)

CB 200-2,1 230V/1 Duct heater (5384)

CB 200-3,0 400V/2 Duct heater (5294)

CBM 200-5,0 400V/2 Duct heater (5483)

CBMF 200-5,0 400V/2 Duct heater (12246)

FFR 200 Filter cassette (1773)

FK 200 Fast clamp (1611)

LDC 200-900 Silencer (5195)

VBC 200-2 Water heating batt (5459)

VK-20 Louvre shutter (87686)

RE 1,5 Speed control (5000)

REU 1.5 Speed control (5004)

SG 200 Protection guard (5609)

Frequency converter FRQSE-6A (37419)

VBF 200 Water heating battery (1732)

CB 200-3,0 230V/1 Duct heater (5370)

CB 200-5,0 400V/2 Duct heater (5371)

CBMF 200-3,0 230V/1 Duct heater (12245)

CWK 200-3-2,5 Duct cooler,circ (30023)

FGR 200 Filter cassette (1812)

LDC 200-600 Silencer (5194)

RSK-200 Back draft damper (5602)

VBC 200-3 Water heating batt (9841)

IGC-200 Intake grille (76877)

Documents

MANUAL_RVK_EN_003.PDF

rvk200_kpl.dxf

EU DECLARATION OF CONFORMITY_RVK_EN_005.PDF

PP compound (30% glass fibre content).pdf