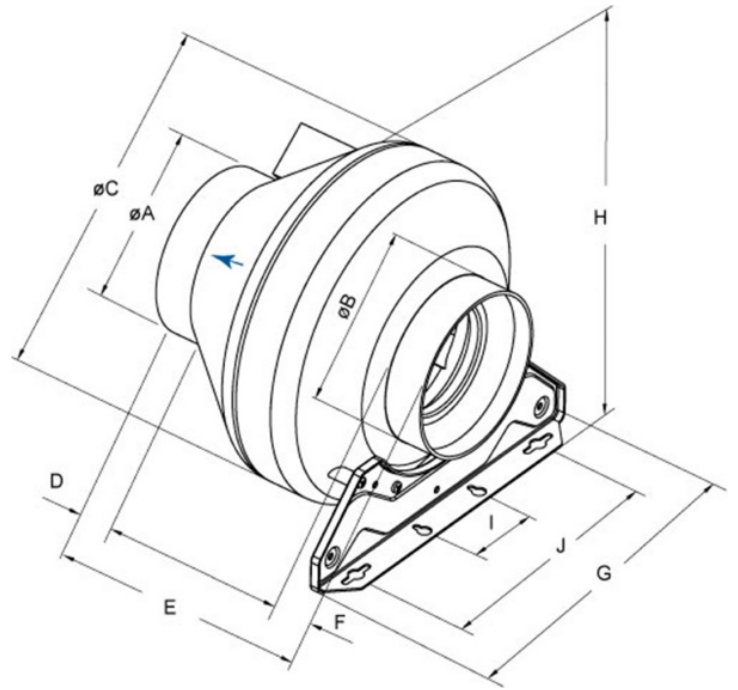




Technical parameters

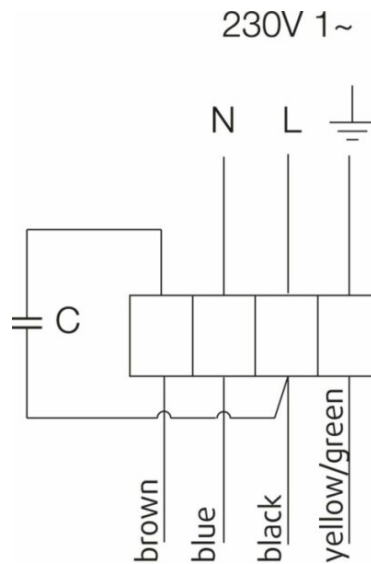
Nominal data	
Voltage (nominal)	230 V
Frequency	50 Hz
Phases	1~
Input power	106 W
Input current	0.461 A
Impeller speed	2,557 rpm
Air flow	max 731 m ³ /h
Capacitance of capacitor	3 µF
Temperature of transported air	max 70 °C
Max temperature of transported air, when speed controlled	70 °C
Sound data	
Sound pressure level at 3m (20m ² Sabin)	44 dB(A)
Protection/Classification	
Enclosure class, motor	IP44
Insulation class	F
Data according to ErP	
Energy class, Basic unit	E
Energy class, Local demand	B
ErP ready	ErP 2016; ErP 2018
Dimensions and weights	
Duct dimension; Circular, inlet	160 mm
Duct dimension; Circular, outlet	160 mm
Weight	3.2 kg
Others	
Duct connection type	Circular
Motor type	AC

Dimension

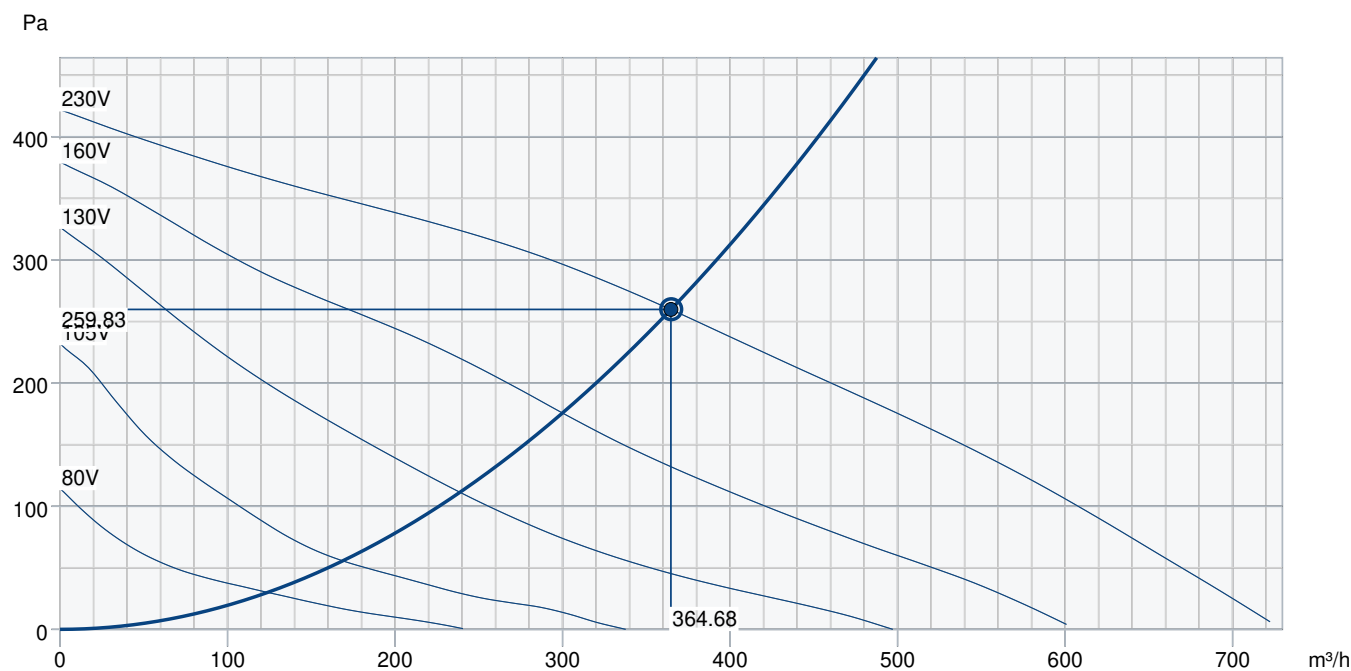


	øA	øB	øC	D	E	F	G	H	I	J
RVK 160	159	159	341	30	230	30	272	360	60	200

Wiring



Performance curve



Hydraulic data

Required air flow	365 m³/h
Required static pressure	260 Pa
Working air flow	365 m³/h
Working static pressure	260 Pa
Air density	1.204 kg/m³
Power	101.7 W
Fan control - RPM	2,575 rpm
Current	0.50 A
SFP	1.004 kW/m³/s
Control voltage	230.0 V
Supply voltage	230 V

Sound power level		63	125	250	500	1k	2k	4k	8k	Total
Inlet	dB(A)	47	64	62	64	63	60	56	47	70
Outlet	dB(A)	49	63	60	63	60	58	53	46	68
Surrounding	dB(A)	17	28	28	44	48	46	35	23	51
Sound pressure level at 3m (20m² Sabine)	dB(A)	-	-	-	-	-	-	-	-	44
Sound pressure level at 3m free field	dB(A)	-	-	-	-	-	-	-	-	30

Accessories

Accessories

Frequency converter FRQ5SE-6A (37421)
RE 1,5 Speed control (5000)
REU 1.5 Speed control (5004)
SG 160 Protection guard (5608)
Frequency converter FRQSE-6A (37419)
CB 160-2,1 230V/1 Duct heater (5292)
CB 160-5,0 400V/2 Duct heater (5383)
CBMF 160-2,1 230V/1 Duct heater (12244)
FFR 160 Filter cassette (1770)
FK 160 Fast clamp (1610)
LDC 160-900 Silencer (5193)
VBC 160-2 Water heating batt (5458)
VBF 160 Water heating battery (1731)
IGC-160 Intake grille (76876)

IGK-160 Wall Grid (1632)
REE 1 Speed control (5314)
REV-3POL/03-7,5kW R/Y (33978)
VKK-160 Back draft damper (1625)
CB 160-1,2 230V/1 Duct heater (5291)
CB 160-2,7 230V/1 Duct heater (5382)
CBM 160-2,1 230V/1 Duct heater (5482)
CWK 160-3-2,5 Duct cooler.circ (30022)
FGR 160 Filter cassette (1809)
LDC 160-600 Silencer (5192)
RSK-160 Back draft damper (5601)
VBC 160-3 Water heating batt (9840)
VK-15 Louvre shutter (87679)

Documents

MANUAL_RVK_EN_003.PDF
rvk160_kpl.dxf
EU DECLARATION OF CONFORMITY_RVK_EN_005.PDF
PP compound (30% glass fibre content).pdf