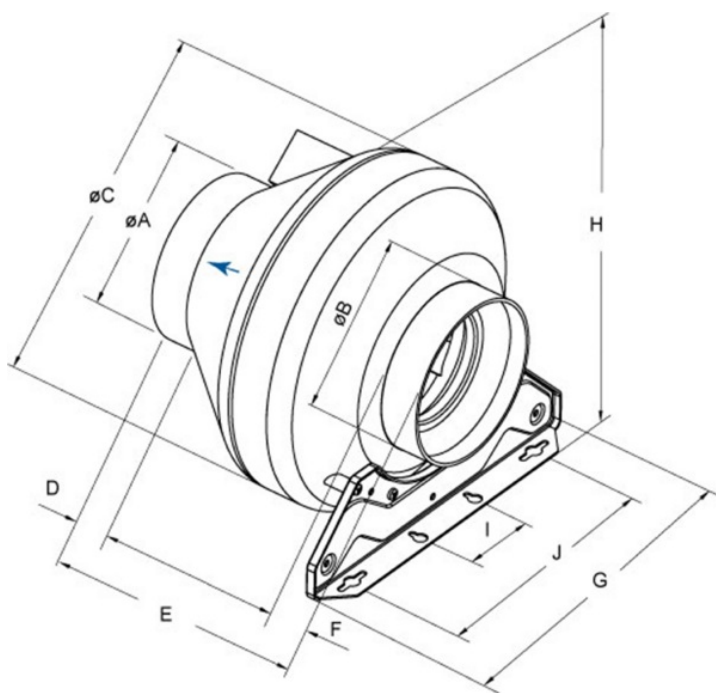




Technical parameters

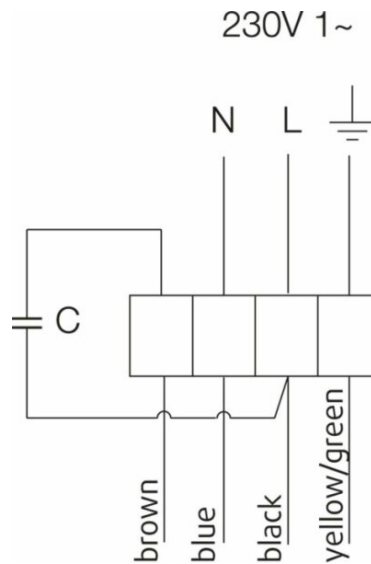
Nominal data	
Voltage (nominal)	230 V
Frequency	50 Hz
Phases	1~
Input power	59 W
Input current	0.257 A
Impeller speed	2,494 rpm
Air flow	max 323 m ³ /h
Capacitance of capacitor	2 µF
Temperature of transported air	max 70 °C
Max temperature of transported air, when speed controlled	70 °C
Sound data	
Sound pressure level at 3m (20m ² Sabin)	43 dB(A)
Protection/Classification	
Enclosure class, motor	IP44
Insulation class	B
Data according to ErP	
Energy class, Basic unit	E
Energy class, Local demand	C
ErP ready	ErP 2016; ErP 2018
Dimensions and weights	
Duct dimension; Circular, inlet	125 mm
Duct dimension; Circular, outlet	125 mm
Weight	2.2 kg
Others	
Duct connection type	Circular
Motor type	AC

Dimension

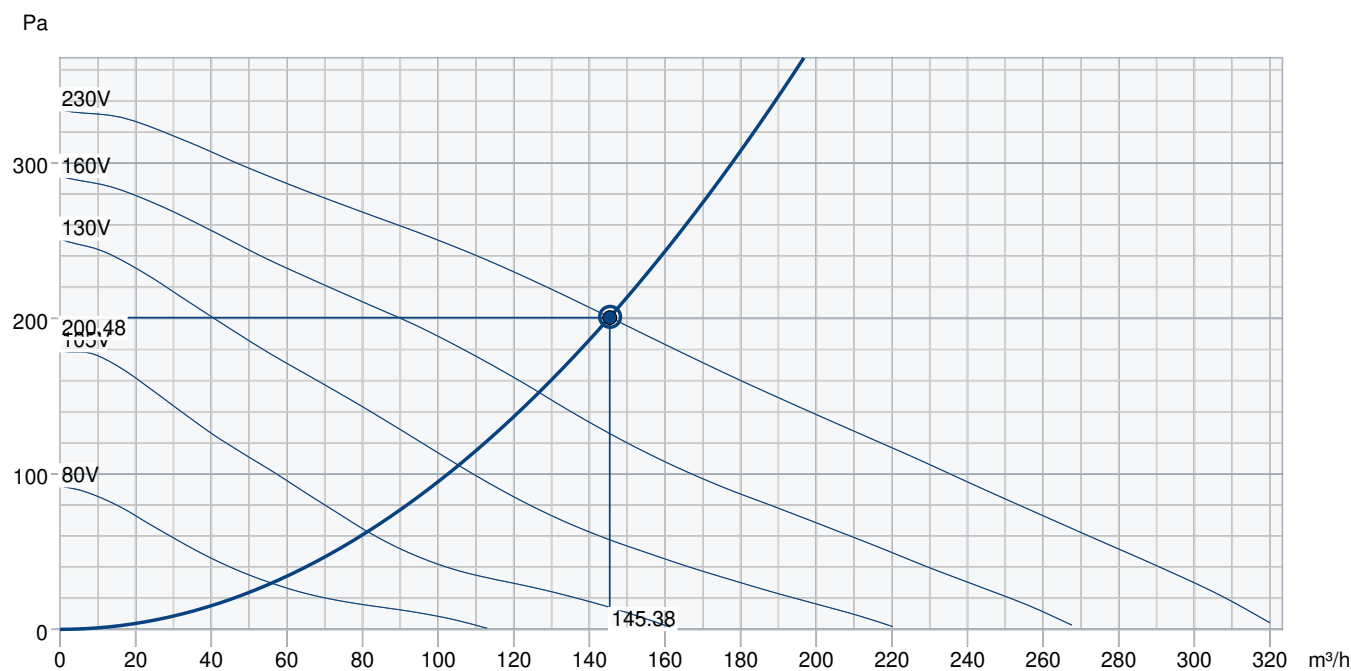


	øA	øB	øC	D	E	F	G	H	I	J
RVK 125	124	124	251	30	233	30	272	265	60	200

Wiring



Performance curve



Hydraulic data

Required air flow	145 m ³ /h
Required static pressure	201 Pa
Working air flow	145 m ³ /h
Working static pressure	200 Pa
Air density	1.204 kg/m ³
Power	55.6 W
Fan control - RPM	2,551 rpm
Current	0.20 A
SFP	1.377 kW/m ³ /s
Control voltage	230.0 V
Supply voltage	230 V

Sound power level		63	125	250	500	1k	2k	4k	8k	Total
Inlet	dB(A)	47	60	64	62	60	56	51	41	68
Outlet	dB(A)	53	59	63	62	57	53	48	39	67
Surrounding	dB(A)	12	25	32	43	46	46	36	24	50
Sound pressure level at 3m (20m ² Sabine)	dB(A)	-	-	-	-	-	-	-	-	43
Sound pressure level at 3m free field	dB(A)	-	-	-	-	-	-	-	-	29

Accessories

Accessories

Frequency converter FRQ5SE-6A (37421)
RE 1,5 Speed control (5000)
REU 1.5 Speed control (5004)
SG 125 Protection guard (5607)
Frequency converter FRQSE-6A (37419)
VBC 125-3 Water heating batt (9839)
CB 125-1,2 230V/1 Duct heater (5290)
CBM 125-1,2 230V/1 Duct heater (5480)
CWK 125-3-2,5 Duct cooler,circ (30021)
FGR 125 Filter cassette (1804)
LDC 125-1200 Silencer (5997)
LDC 125-900 Silencer (5191)
VBC 125-2 Water heating batt (5457)
VK-12 Louvre-shutter (87685)

IGC-125 Intake grille (76875)
REE 1 Speed control (5314)
REV-3POL/03-7,5kW R/Y (33978)
VKK-125 Back draft damper (1624)
IGK-125 Wall Grid (1631)
CB 125-0,6 230V/1 Duct heater (5289)
CB 125-1,8 230V/1 Duct heater (5377)
CBMF 125-1,2 230V/1 Duct heater (12242)
FFR 125 Filter cassette (1768)
FK 125 Fast clamp (1608)
LDC 125-600 Silencer (5190)
RSK-125 Back draft damper (5598)
VBF 125 Water heating battery (1730)

Documents

MANUAL_RVK_EN_003.PDF

rvk125_kpl.dxf

EU DECLARATION OF CONFORMITY_RVK_EN_005.PDF

PP compound (30% glass fibre content).pdf