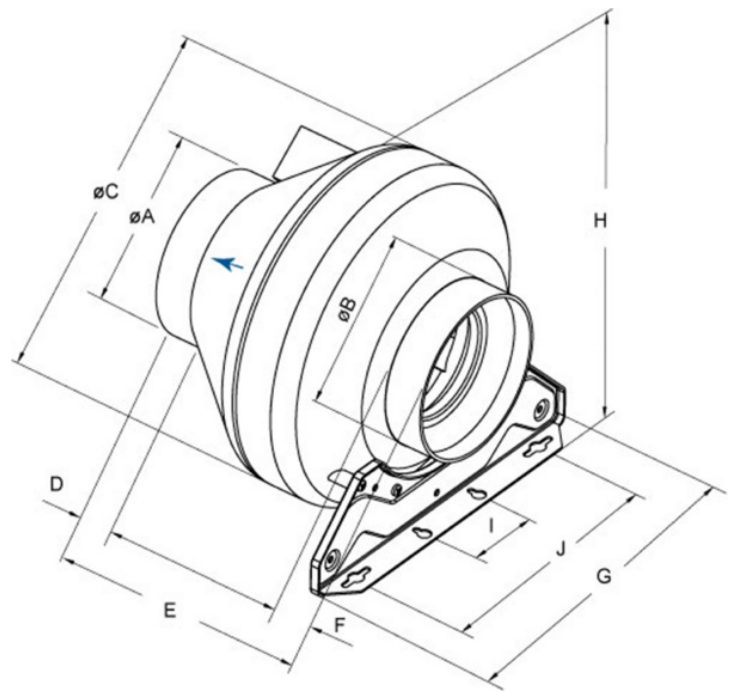




Technical parameters

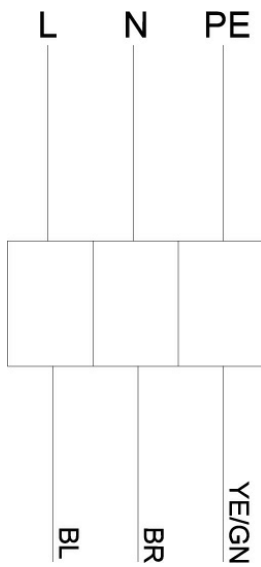
Nominal data	
Voltage (nominal)	230 V
Frequency	50 Hz
Phases	1~
Input power	29 W
Input current	0.171 A
Impeller speed	2,482 rpm
Air flow	max 184 m ³ /h
Temperature of transported air	max 70 °C
Max temperature of transported air, when speed controlled	70 °C
Sound data	
Sound pressure level at 3m (20m ² Sabin)	35 dB(A)
Protection/Classification	
Enclosure class, motor	IP44
Insulation class	B
Data according to ErP	
ErP ready	Not ErP relevant
Dimensions and weights	
Duct dimension; Circular, inlet	100 mm
Duct dimension; Circular, outlet	100 mm
Weight	1.8 kg
Others	
Duct connection type	Circular
Motor type	AC

Dimension



	øA	øB	øC	D	E	F	G	H	I	J
RVK 100	99	99	251	30	237,5	30	272	265	60	200

Wiring



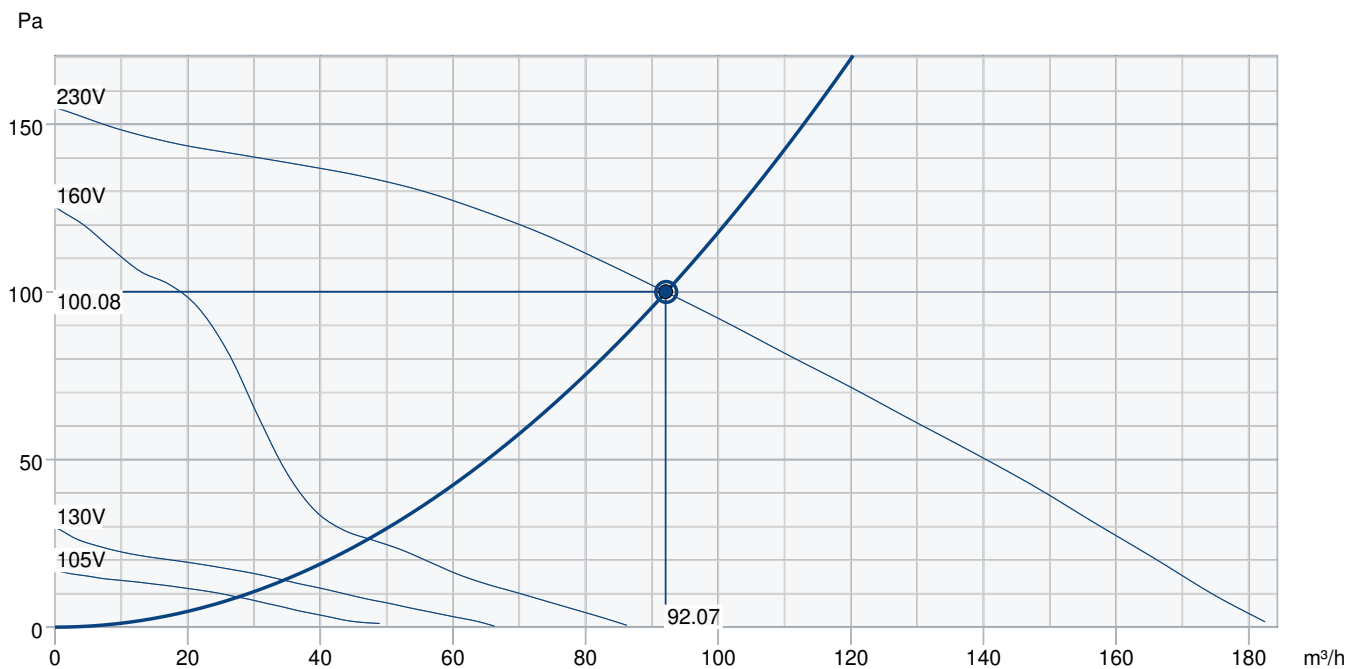
assignment

BL= blue

BR= brown

YE/GN= yellow/green

Performance curve



Hydraulic data										
Required air flow										92 m³/h
Required static pressure										100 Pa
Working air flow										92 m³/h
Working static pressure										100 Pa
Air density										1.204 kg/m³
Power										28.0 W
Fan control - RPM										2,541 rpm
Current										0.20 A
SFP										1.095 kW/m³/s
Control voltage										230.0 V
Supply voltage										230 V
Sound power level		63	125	250	500	1k	2k	4k	8k	Total
Inlet	dB(A)	41	58	58	58	51	44	39	27	63
Outlet	dB(A)	44	53	52	52	47	43	39	28	58
Surrounding	dB(A)	<10	11	30	37	37	34	25	14	42
Sound pressure level at 3m (20m² Sabine)	dB(A)	-	-	-	-	-	-	-	-	35
Sound pressure level at 3m free field	dB(A)	-	-	-	-	-	-	-	-	21
Accessories										

Accessories

Frequency converter FRQ5SE-6A (37421)

REE 1 Speed control (5314)

REV-3POL/03-7.5kW R/Y (33978)

VKK-100 Back draft damper (1623)

IGK-100 Wall Grid (1630)

CB 100-0,6 230V/1 Duct heater (5376)

CWK 100-3-2,5 Duct cooler,circ (30019)

FGR 100 Filter cassette (1802)

LDC 100-1200 Silencer (5996)

LDC 100-900 Silencer (5189)

VBC 100-2 Water heating batt (5456)

VBF 100 Water heating battery (1724)

IGC-100 Intake grille (76874)

RE 1,5 Speed control (5000)

REU 1.5 Speed control (5004)

SG 100 Protection guard (5606)

Frequency converter FRQSE-6A (37419)

CB 100-0,4 230V/1 Duct heater (5288)

CBM 100-0,6 230V/1 Duct heater (5479)

FFR 100 Filter cassette (1766)

FK 100 Fast clamp (1607)

LDC 100-600 Silencer (5188)

RSK-100 Back draft damper (5597)

VBC 100-3 Water heating batt (9838)

VK-10 Louvre shutter (87682)

Documents

MANUAL_RVK_EN_003.PDF

rvk100_sileo_kpl.dxf

EU DECLARATION OF CONFORMITY_RVK_EN_005.PDF

PP compound (30% glass fibre content).pdf