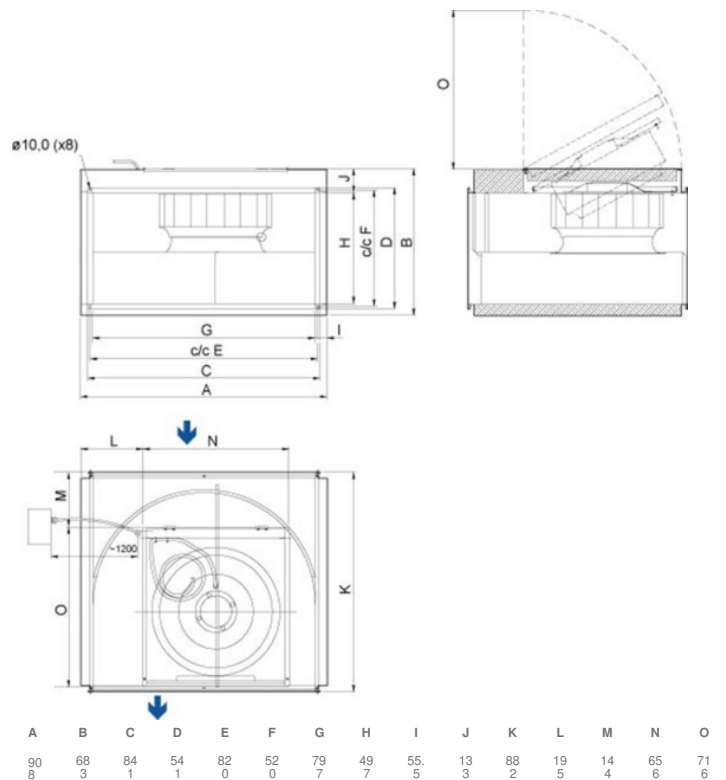




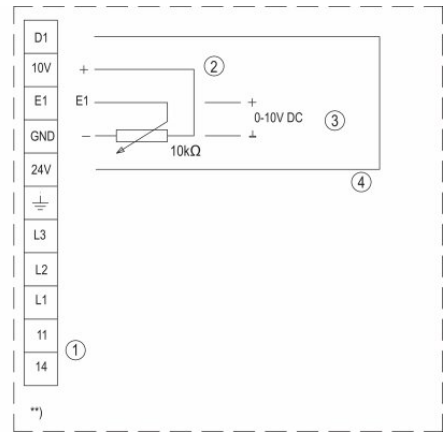
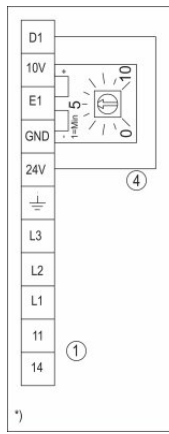
Technical parameters

Nominal data	
Voltage (nominal)	400 V
Frequency	50; 60 Hz
Phases	3~
Input power	1,177 W
Input current	1.84 A
Impeller speed	1,380 rpm
Air flow	max 8,755 m ³ /h
Temperature of transported air	max 60 °C
Max temperature of transported air, when speed controlled	60 °C
Sound data	
Sound pressure level at 3m (20m ² Sabin)	60 dB(A)
Protection/Classification	
Enclosure class, motor	IP54
Insulation class	F
Data according to ErP	
ErP ready	ErP 2018
Dimensions and weights	
Duct dimension, inlet (height x width)	500 x 800 mm
Duct dimension, outlet (height x width)	500 x 800 mm
Weight	101.2 kg
Others	
Motor type	EC

Dimension



Wiring



*) = Internal potentiometer

**) = External speed control

1 11 & 14 = Alarm

For operation the relay is energized, connections "11" and "14" are bridged.

For fault the relay is de-energized (Diagnostics/faults).

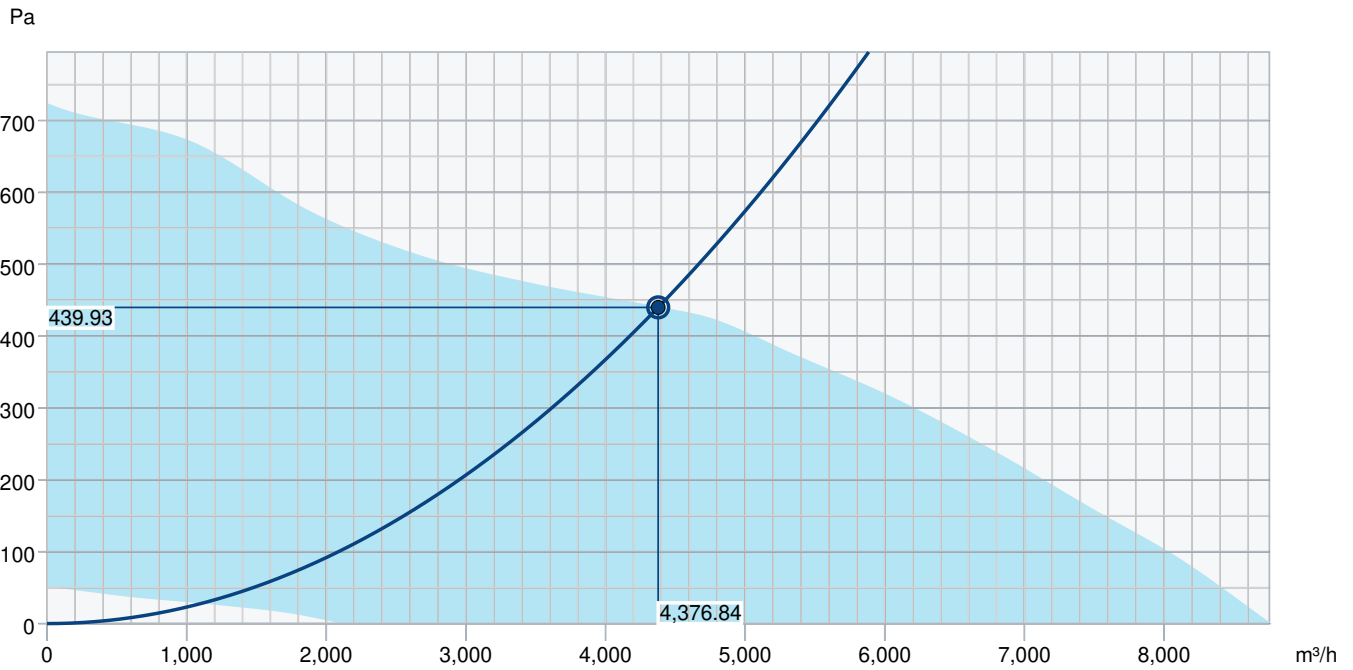
Contact rating max. AC 250V 2A.

2 External potentiometer

3 External input DC 0...10V

4 External ON / OFF control via potential free contact

Performance curve



Hydraulic data	
Required air flow	4,377 m³/h
Required static pressure	440 Pa
Working air flow	4,377 m³/h
Working static pressure	440 Pa
Air density	1.204 kg/m³
Power	979.5 W
Fan control - RPM	1,382 rpm
Current	1.58 A
SFP	0.806 kW/m³/s
Control voltage	10.0 V
Supply voltage	400 V

Sound power level		63	125	250	500	1k	2k	4k	8k	Total
Inlet	dB(A)	64	73	69	70	68	67	63	55	77
Outlet	dB(A)	68	75	78	78	80	76	71	62	85
Surrounding	dB(A)	46	65	58	57	55	54	54	44	67
Sound pressure level at 3m (20m² Sabine)	dB(A)	-	-	-	-	-	-	-	-	60
Sound pressure level at 3m free field	dB(A)	-	-	-	-	-	-	-	-	46

Accessories

CXE/AVC Modbus (37256)	EC-Basic-CO2 and temperature (24808)
EC-Basic-H humidity (24807)	EC-Basic-T temperature (24805)
EC-Basic-U universal 0-10V (24806)	EC-Selector (9908)
EC-Vent control board (3115)	EC-Vent Room Unit (3018)
GFL 80-50 Counter flange (2711)	MTP 10, 10K, Speed control (32731)
MTV-1/010 Controller 0..10V+ (30650)	Potentiometer MTP 20, 0-10V (310220)
REV-5POL/07-7.5kW R/Y (33980)	Step switch S-5EC-2, 0-10V (449084)
CO2RT-R-D Transmitter (6993)	DTV500A (96807)
HR1 Room Humidistat (215150)	Presence detector/IR24-P (6995)
RT 0-30 Room Thermostat (5151)	Safety switch 3-pole grey (210680)
T 120 Timer (5165)	DS 80-50 Flexible connection (1553)
DXRE 80-50-3-2,5 Duct cooler (7958)	FFK 80-50 filter cassette (30236)
LDR 80-50 Silencer (5075)	RB 80-50/45-3 400V/3 Duct heat (9647)
RB 80-50/68-4 400V/3 Duct heat (9648)	VBR 80-50-2 Water heating batt (5469)
VBR 80-50-3 Water heating batt (5477)	Room hygostat HR-S (286251)
TUNE-S-800x500-M0 (421365)	TUNE-S-800x500-M4 (421369)
TUNE-S-800x500-M5 (421370)	

Documents

INSTALLATION_OPERATION_AND_MAINTENANCE_INSTRUCTION_KE__KT__RS__RSI__EN_002.PDF
 COMMISSIONING_RECORD_FANS__EN.PDF