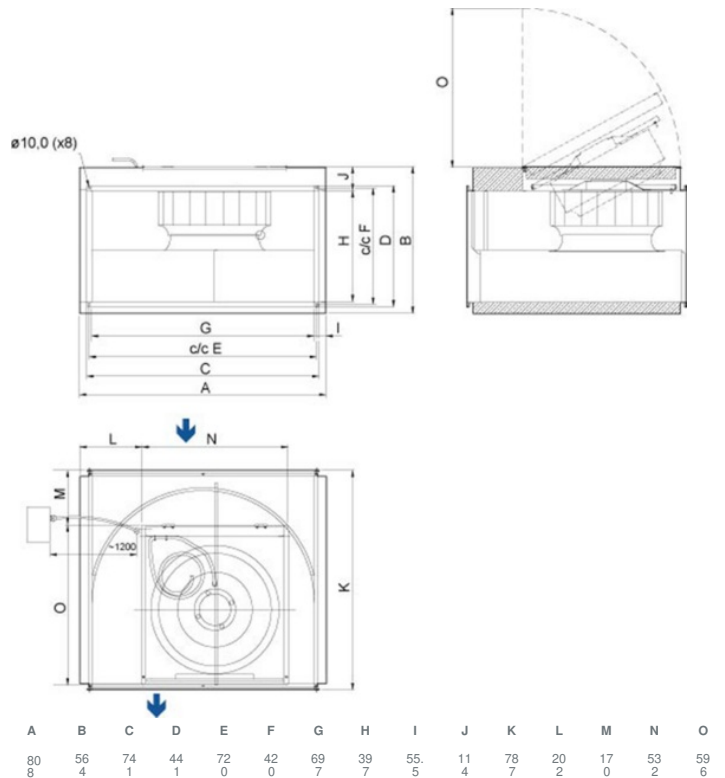




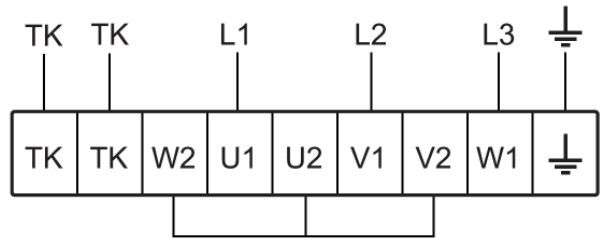
Technical parameters

| Nominal data | |
|---|-----------------------------|
| Voltage (nominal) | 400 V |
| Frequency | 50 Hz |
| Phases | 3~ |
| Input power | 542 W |
| Input current | 1.32 A |
| Impeller speed | 1,413 rpm |
| Air flow | max 4,608 m ³ /h |
| Temperature of transported air | max 70 °C |
| Max temperature of transported air, when speed controlled | 70 °C |
| Sound data | |
| Sound pressure level at 3m (20m ² Sabin) | 51 dB(A) |
| Protection/Classification | |
| Enclosure class, motor | IP54 |
| Insulation class | F |
| Data according to ErP | |
| ErP ready | ErP 2018 |
| Dimensions and weights | |
| Duct dimension, inlet (height x width) | 400 x 700 mm |
| Duct dimension, outlet (height x width) | 400 x 700 mm |
| Weight | 69.2 kg |
| Others | |
| Motor type | AC |

Dimension



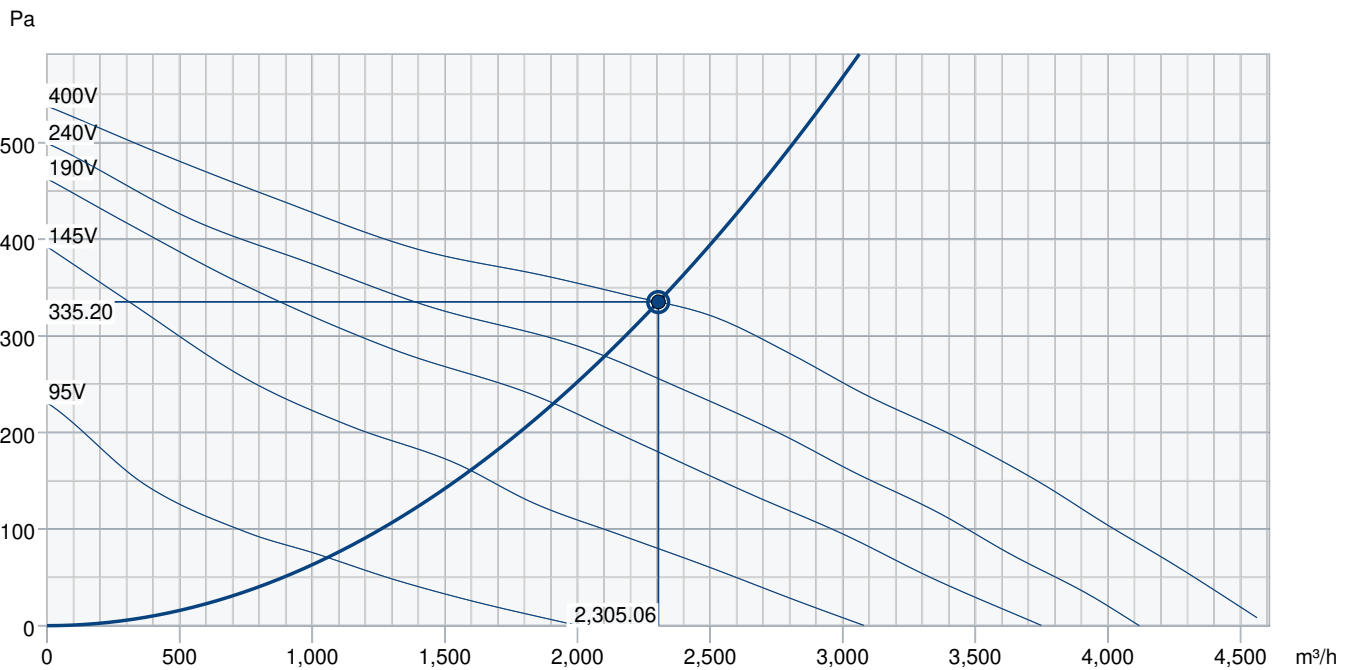
400V 3~



230V 3~



Performance curve



| Hydraulic data | |
|--------------------------|---------------|
| Required air flow | 2,304 m³/h |
| Required static pressure | 335 Pa |
| Working air flow | 2,305 m³/h |
| Working static pressure | 335 Pa |
| Air density | 1.204 kg/m³ |
| Power | 490.3 W |
| Fan control - RPM | 1,423 rpm |
| Current | 1.23 A |
| SFP | 0.766 kW/m³/s |
| Control voltage | 400.0 V |
| Supply voltage | 400 V |

| Sound power level | | 63 | 125 | 250 | 500 | 1k | 2k | 4k | 8k | Total |
|--|-------|----|-----|-----|-----|----|----|----|----|-------|
| Inlet | dB(A) | 54 | 67 | 61 | 61 | 58 | 56 | 51 | 44 | 69 |
| Outlet | dB(A) | 60 | 72 | 71 | 73 | 75 | 72 | 67 | 58 | 80 |
| Surrounding | dB(A) | 35 | 55 | 52 | 49 | 50 | 44 | 40 | 36 | 59 |
| Sound pressure level at 3m (20m² Sabine) | dB(A) | - | - | - | - | - | - | - | - | 52 |
| Sound pressure level at 3m free field | dB(A) | - | - | - | - | - | - | - | - | 38 |

Accessories

| | |
|---|--|
| GFL 70-40 Counter flange (2710) | Motor protect. switch S-DT 16 (161206) |
| Motor protect. switch S-DT 16E (161207) | REV-5POL/07-7,5kW R/Y (33980) |
| RTRD 2 Speed Contr. Systemair (5941) | RTRDU 2 Speed contr. Systemair (5945) |
| CO2RT-R-D Transmitter (6993) | DTV500A (96807) |
| HR1 Room Humidistat (215150) | PGK 70-40-3-2,0 Duct cooler (6616) |
| Presence detector/IR24-P (6995) | RT 0-30 Room Thermostat (5151) |
| Safety switch 3-pole grey (210680) | T 120 Timer (5165) |
| DS 70-40 Flexible connection (1551) | DXRE 70-40-3-2,5 Duct cooler (7957) |
| FFK 70-40 Filter cassette rect (1762) | LDR 70-40 Silencer (5074) |
| RB 70-40/27-2 400V/3 Duct heat (9645) | RB 70-40/45-3 400V/3 Duct heat (9646) |
| RBM 70-40/27 400V/3 Duct heater (5455) | VBR 70-40-2 Water heating batt (5468) |
| VBR 70-40-3 Water heating batt (5476) | Room hygrostat HR-S (286251) |

Documents

- INSTALLATION_OPERATION_AND_MAINTENANCE_INSTRUCTION_KE_KT_RS_RSI_EN_002.PDF
- COMMISSIONING_RECORD_FANS_EN.PDF