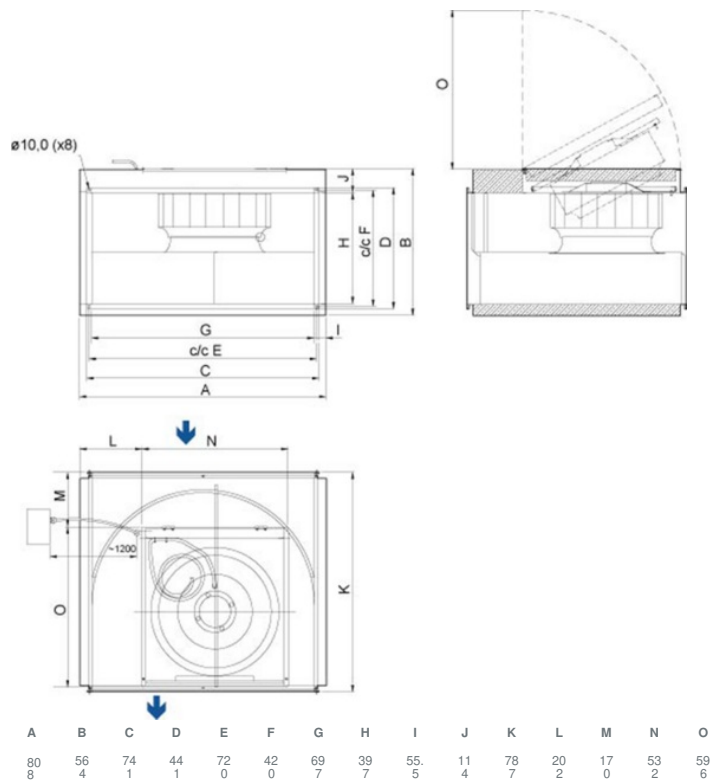




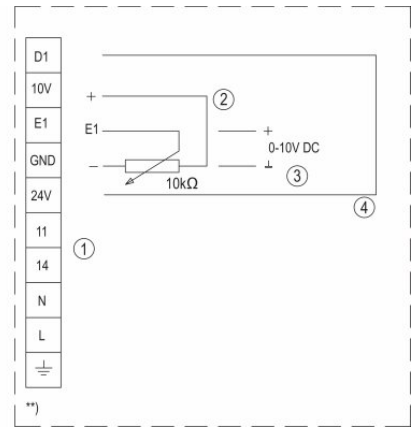
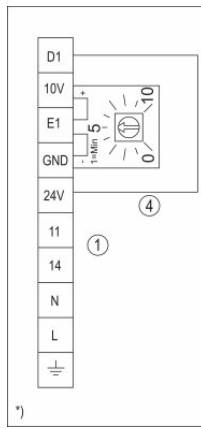
## Technical parameters

Nominal data	
Voltage (nominal)	230 V
Frequency	50; 60 Hz
Phases	1~
Input power	653 W
Input current	2.95 A
Impeller speed	1,578 rpm
Air flow	max 5,231 m <sup>3</sup> /h
Temperature of transported air	max 60 °C
Max temperature of transported air, when speed controlled	60 °C
Sound data	
Sound pressure level at 3m (20m <sup>2</sup> Sabin)	51 dB(A)
Protection/Classification	
Enclosure class, motor	IP54
Insulation class	F
Data according to ErP	
ErP ready	ErP 2018
Dimensions and weights	
Duct dimension, inlet (height x width)	400 x 700 mm
Duct dimension, outlet (height x width)	400 x 700 mm
Weight	68.5 kg
Others	
Motor type	EC

## Dimension



## Wiring



1) = Internal potentiometer

2) = External speed control

1 11 & 14 = Alarm

For operation the relay is energized, connections "11" and "14" are bridged.

For fault the relay is de-energized (Diagnostics/faults).

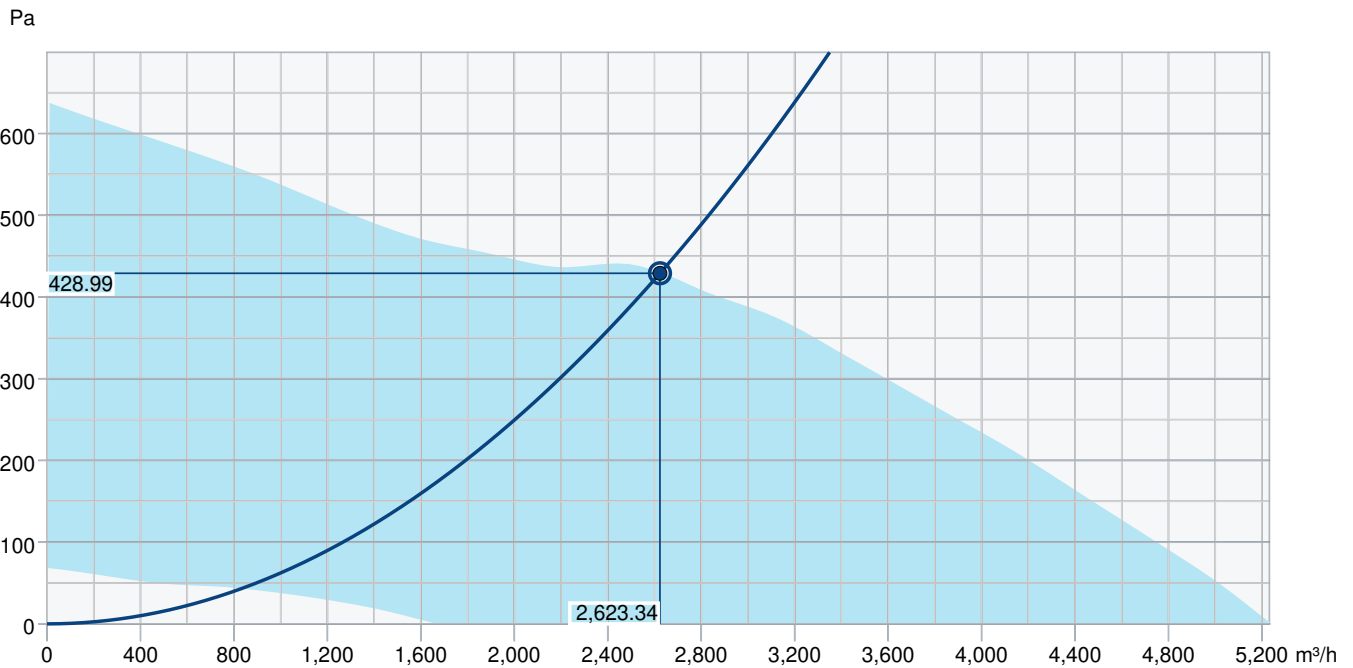
Contact rating max. AC 250V 2A.

2 External potentiometer

3 External input DC 0...10V

4 External ON / OFF control via potential free contact

## Performance curve



Hydraulic data										
Required air flow										2,624 m³/h
Required static pressure										429 Pa
Working air flow										2,623 m³/h
Working static pressure										429 Pa
Air density										1.204 kg/m³
Power										584.4 W
Fan control - RPM										1,579 rpm
Current										2.69 A
SFP										0.802 kW/m³/s
Control voltage										10.0 V
Supply voltage										230 V
Sound power level		63	125	250	500	1k	2k	4k	8k	Total
Inlet	dB(A)	55	68	65	62	59	58	54	47	71
Outlet	dB(A)	61	71	74	75	77	75	70	61	82
Surrounding	dB(A)	32	52	54	49	49	47	43	37	58
Sound pressure level at 3m (20m² Sabine)	dB(A)	-	-	-	-	-	-	-	-	51
Sound pressure level at 3m free field	dB(A)	-	-	-	-	-	-	-	-	37
Accessories										

## Accessories

CXE/AVC Modbus (37256)

EC-Basic-H humidity (24807)

EC-Basic-U universal 0-10V (24806)

EC-Vent control board (3115)

GFL 70-40 Counter flange (2710)

MTV-1/010 Controller 0..10V+ (30650)

REV-5POL/05-7.5kW R/Y (33979)

CO2RT-R-D Transmitter (6993)

HR1 Room Humidistat (215150)

RT 0-30 Room Thermostat (5151)

T 120 Timer (5165)

DXRE 70-40-3-2,5 Duct cooler (7957)

LDR 70-40 Silencer (5074)

RB 70-40/45-3 400V/3 Duct heat (9646)

VBR 70-40-2 Water heating batt (5468)

Room hygrostat HR-S (286251)

TUNE-S-700x400-M4 (421169)

EC-Basic-CO2 and temperature (24808)

EC-Basic-T temperature (24805)

EC-Selector (9908)

EC-Vent Room Unit (3018)

MTP 10, 10K, Speed control (32731)

Potentiometer MTP 20, 0-10V (310220)

Step switch S-5EC-2, 0-10V (449084)

DTV500A (96807)

Presence detector/IR24-P (6995)

Safety switch 2-pole grey (210679)

DS 70-40 Flexible connection (1551)

FFK 70-40 Filter cassette rect (1762)

RB 70-40/27-2 400V/3 Duct heat (9645)

RBM 70-40/27 400V/3 Duct heat (5455)

VBR 70-40-3 Water heating batt (5476)

TUNE-S-700x400-M0 (421165)

TUNE-S-700x400-M5 (421170)

## Documents

INSTALLATION\_OPERATION\_AND\_MAINTENANCE\_INSTRUCTION\_KE\_\_KT\_\_RS\_\_RSI\_\_EN\_002.PDF

COMMISSIONING\_RECORD\_FANS\_\_EN.PDF