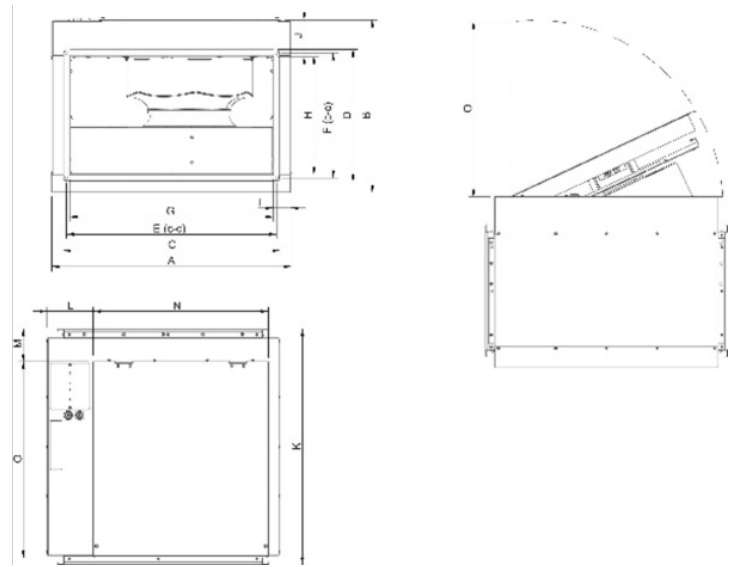




Technical parameters

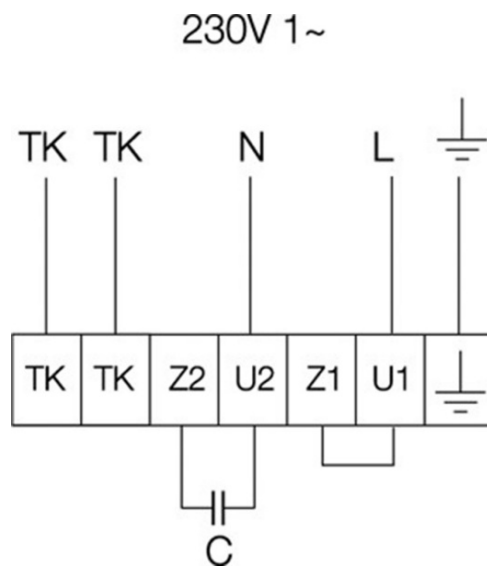
Nominal data	
Voltage (nominal)	230 V
Frequency	50 Hz
Phases	1~
Input power	492 W
Input current	2.25 A
Impeller speed	1,326 rpm
Air flow	max 3,834 m ³ /h
Capacitance of capacitor	4 μF
Temperature of transported air	max 70 °C
Max temperature of transported air, when speed controlled	70 °C
Sound data	
Sound pressure level at 3m (20m ² Sabin)	53 dB(A)
Protection/Classification	
Enclosure class, motor	IP54
Insulation class	F
Data according to ErP	
ErP ready	ErP 2018
Dimensions and weights	
Duct dimension, inlet (height x width)	350 x 600 mm
Duct dimension, outlet (height x width)	350 x 600 mm
Weight	60.4 kg
Others	
Duct connection type	Rectangular
Motor type	AC

Dimension

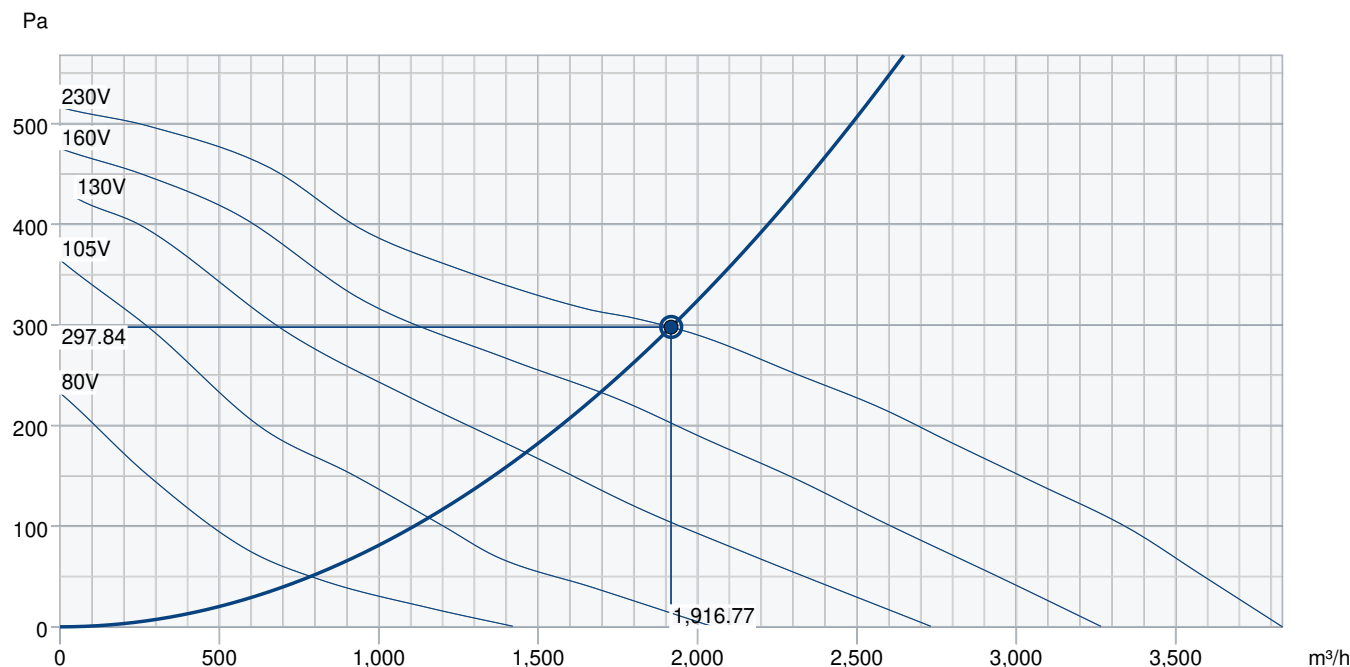


	A	B	C	D	E	F	G	H	I	J	K	L	M	N	O
RSI 60-35	7	5	6	3	6	3	5	3	5	10	71	14	10	53	59
	0	0	4	9	2	7	9	4	5	8	7	0	0	2	7
	5	8	1	1	0	0	8	8							

Wiring



Performance curve



Hydraulic data										
Required air flow	1,917 m³/h									
Required static pressure	298 Pa									
Working air flow	1,917 m³/h									
Working static pressure	298 Pa									
Air density	1.204 kg/m³									
Power	430.7 W									
Fan control - RPM	1,354 rpm									
Current	2.02 A									
SFP	0.809 kW/m³/s									
Control voltage	230.0 V									
Supply voltage	230 V									
Sound power level		63	125	250	500	1k	2k	4k	8k	Total
Inlet	dB(A)	59	69	62	62	59	55	51	44	71
Outlet	dB(A)	60	73	73	74	74	72	67	57	80
Surrounding	dB(A)	38	58	53	50	48	45	38	37	60
Sound pressure level at 3m (20m² Sabine)	dB(A)	-	-	-	-	-	-	-	-	53
Sound pressure level at 3m free field	dB(A)	-	-	-	-	-	-	-	-	39
Accessories										

Accessories

GFL 60-35 Counter flange (2709)

Motor protect. switch S-ET 10E (161205)

REPT 6 Digital regulator (5698)

REU 3 Speed control (5005)

RTRE 3 Speed control (5009)

DTV500A (96807)

Presence detector/IR24-P (6995)

Safety switch 2-pole grey (210679)

DS 60-35 Flexible connection (1549)

FFK 60-35 Filter cassette rect (1761)

RB 60-35/27-2 400V/3 Duct heat (9643)

RBM 60-35/27 400V/3 Duct heater (5454)

VBR 60-35-4 Water heating batt (5475)

Motor protect. switch S-ET 10 (161199)

REE 4 Speed control (5317)

RETP 6 Temp/Pressure regulator (32293)

REV-5POL/05-7,5kW R/Y (33979)

CO2RT-R-D Transmitter (6993)

HR1 Room Humidistat (215150)

RT 0-30 Room Thermostat (5151)

T 120 Timer (5165)

DXRE 60-35-3-2.5 Duct cooler (7956)

LDR 60-35 Silencer (5073)

RB 60-35/45-3 400V/3 Duct heat (9644)

VBR 60-35-2 Water heating batt (5467)

Room hygrostat HR-S (286251)

Documents

INSTALLATION_OPERATION_AND_MAINTENANCE_INSTRUCTION_KE_KT_RS_RSI_EN_002.PDF

COMMISSIONING_RECORD_FANS_EN.PDF