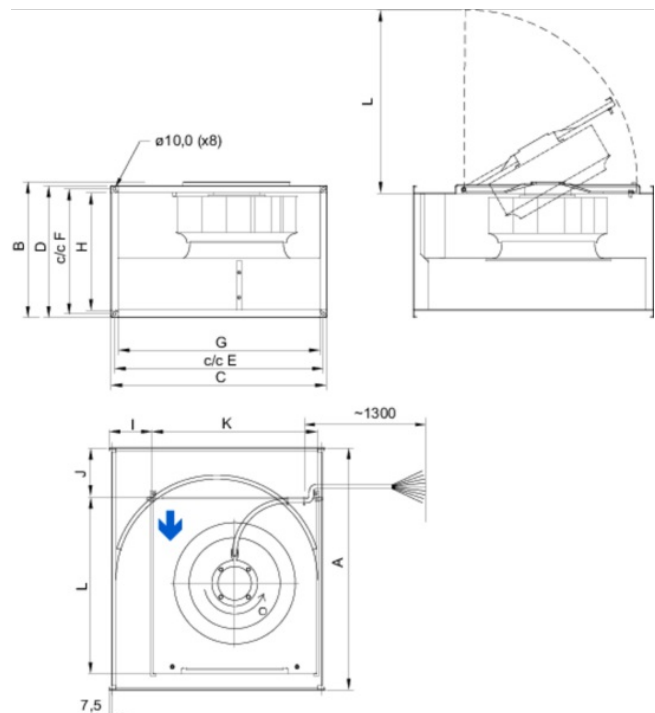




## Technical parameters

Nominal data	
Voltage (nominal)	400 V
Frequency	50 Hz
Phases	3~
Input power	542 W
Input current	1.32 A
Impeller speed	1,413 rpm
Air flow	max 4,608 m <sup>3</sup> /h
Temperature of transported air	max 70 °C
Max temperature of transported air, when speed controlled	70 °C
Sound data	
Sound pressure level at 3m (20m <sup>2</sup> Sabin)	58 dB(A)
Protection/Classification	
Enclosure class, motor	IP54
Insulation class	F
Data according to ErP	
ErP ready	ErP 2018
Dimensions and weights	
Duct dimension, inlet (height x width)	400 x 700 mm
Duct dimension, outlet (height x width)	400 x 700 mm
Weight	34.2 kg
Others	
Duct connection type	Rectangular
Motor type	AC

## Dimension



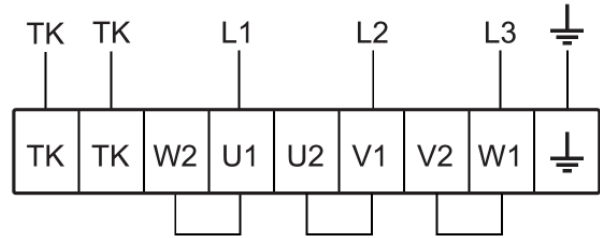
RS	A	B	C	D	E	F	G	H	I	J	K	L
70-40 L	787	452	740	440	720	420	698	398	189,5	215	490	524

# Wiring

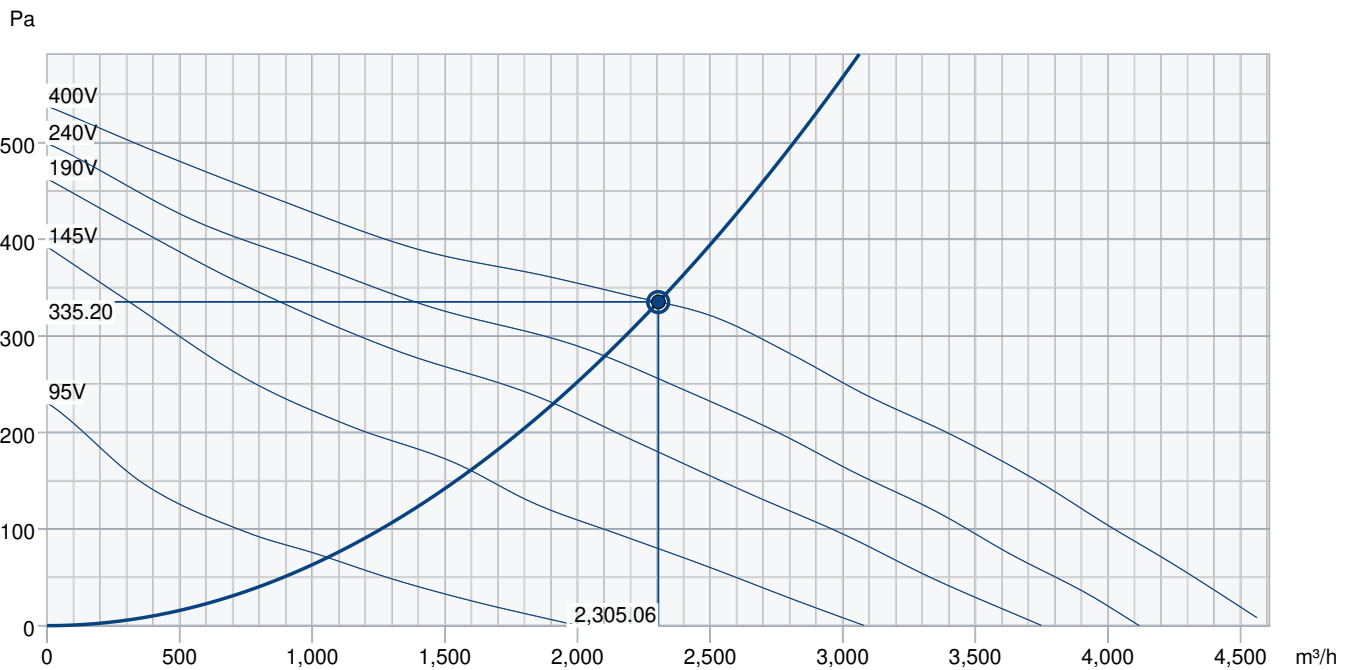
400V 3~



230V 3~



## Performance curve



Hydraulic data	
Required air flow	2,304 m³/h
Required static pressure	335 Pa
Working air flow	2,305 m³/h
Working static pressure	335 Pa
Air density	1.204 kg/m³
Power	490.3 W
Fan control - RPM	1,423 rpm
Current	1.23 A
SFP	0.766 kW/m³/s
Control voltage	400.0 V
Supply voltage	400 V

Sound power level		63	125	250	500	1k	2k	4k	8k	Total
Inlet	dB(A)	60	71	67	68	67	66	61	52	75
Outlet	dB(A)	60	72	71	73	75	72	67	58	80
Surrounding	dB(A)	41	62	58	56	56	49	42	36	65
Sound pressure level at 3m (20m² Sabine)	dB(A)	-	-	-	-	-	-	-	-	58
Sound pressure level at 3m free field	dB(A)	-	-	-	-	-	-	-	-	44

### Accessories

GFL 70-40 Counter flange (2710)	Motor protect. switch S-DT 16 (161206)
Motor protect. switch S-DT 16E (161207)	REV-5POL/07-7,5kW R/Y (33980)
RTRD 2 Speed Contr. Systemair (5941)	RTRDU 2 Speed contr. Systemair (5945)
CO2RT-R-D Transmitter (6993)	DTV500A (96807)
HR1 Room Humidistat (215150)	PGK 70-40-3-2,0 Duct cooler (6616)
Presence detector/IR24-P (6995)	RT 0-30 Room Thermostat (5151)
Safety switch 3-pole grey (210680)	T 120 Timer (5165)
DS 70-40 Flexible connection (1551)	DXRE 70-40-3-2,5 Duct cooler (7957)
FFK 70-40 Filter cassette rect (1762)	LDR 70-40 Silencer (5074)
RB 70-40/27-2 400V/3 Duct heat (9645)	RB 70-40/45-3 400V/3 Duct heat (9646)
RBM 70-40/27 400V/3 Duct heater (5455)	VBR 70-40-2 Water heating batt (5468)
VBR 70-40-3 Water heating batt (5476)	Room hygrostat HR-S (286251)

### Documents

INSTALLATION\_OPERATION\_AND\_MAINTENANCE\_INSTRUCTION\_KE\_KT\_RS\_RSI\_EN\_002.PDF  
 COMMISSIONING\_RECORD\_FANS\_EN.PDF