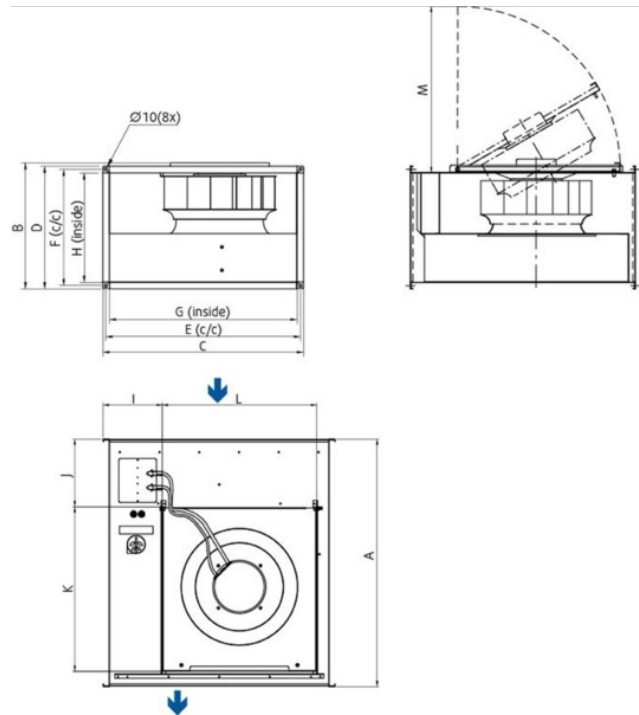


Technical parameters

Nominal data	
Voltage (nominal)	230 V
Frequency	50 Hz
Phases	1~
Input power	480 W
Input current	2.21 A
Impeller speed	1,329 rpm
Air flow	max 4,295 m³/h
Capacitance of capacitor	12 µF
Temperature of transported air	max 70 °C
Max temperature of transported air, when speed controlled	70 °C
Sound data	
Sound pressure level at 3m (20m² Sabin)	54 dB(A)
Protection/Classification	
Enclosure class, motor	IP54
Insulation class	F
Data according to ErP	
ErP ready	ErP 2018
Dimensions and weights	
Duct dimension, inlet (height x width)	400 x 700 mm
Duct dimension, outlet (height x width)	400 x 700 mm
Weight	34.2 kg
Others	
Duct connection type	Rectangular
Motor type	AC

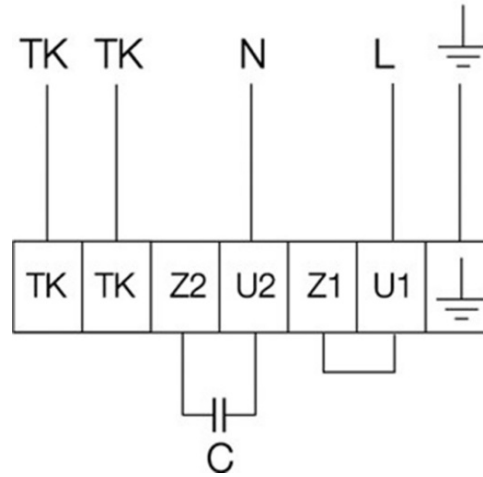
Dimension



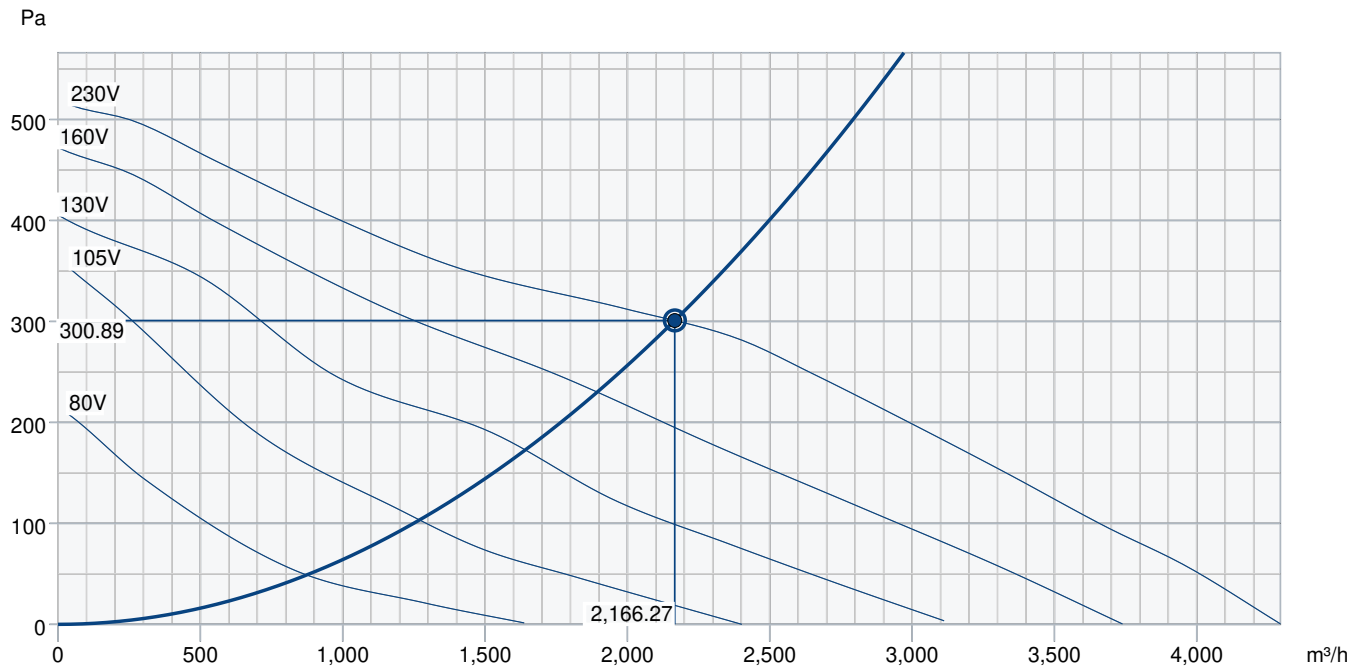
RS EC/AC	A	B	C	D	E	F	G	H	I	J	K	L	M
70-40	78 7	46 5	740	44 0	720	42 0	69 8	39 8	189	21 5	52 4	49 1	51 8
80-50	88 2	58 0	840	54 1	820	52 0	79 8	49 8	182 5	19 1	64 4	61 4	63 8
100-50	98 2	58 0	104 0	54 0	102 0	52 0	99 8	49 8	287	26 0	68 4	63 4	67 8

Wiring

230V 1~



Performance curve



Hydraulic data										
Required air flow		2,167 m³/h								
Required static pressure		301 Pa								
Working air flow		2,166 m³/h								
Working static pressure		301 Pa								
Air density		1.204 kg/m³								
Power		448.0 W								
Fan control - RPM		1,348 rpm								
Current		2.09 A								
SFP		0.744 kW/m³/s								
Control voltage		230.0 V								
Supply voltage		230 V								
Sound power level		63	125	250	500	1k	2k	4k	8k	Total
Inlet	dB(A)	59	68	64	66	65	63	57	49	73
Outlet	dB(A)	63	69	70	71	72	68	62	53	77
Surrounding	dB(A)	40	59	56	51	50	45	38	33	61
Sound pressure level at 3m (20m² Sabine)	dB(A)	-	-	-	-	-	-	-	-	54
Sound pressure level at 3m free field	dB(A)	-	-	-	-	-	-	-	-	40
Accessories										

Accessories

GFL 70-40 Counter flange (2710)
Motor protect. switch S-ET 10E (161205)
REPT 6 Digital regulator (5698)
REU 3 Speed control (5005)
RTRE 3 Speed control (5009)
DTV500A (96807)
PGK 70-40-3-2,0 Duct cooler (6616)
RT 0-30 Room Thermostat (5151)
T 120 Timer (5165)
DXRE 70-40-3-2,5 Duct cooler (7957)
LDR 70-40 Silencer (5074)
RB 70-40/45-3 400V/3 Duct heat (9646)
VBR 70-40-2 Water heating batt (5468)
Room hygrostat HR-S (286251)

Motor protect. switch S-ET 10 (161199)
REE 4 Speed control (5317)
RETP 6 Temp/Pressure regulator (32293)
REV-5POL/05-7,5kW R/Y (33979)
CO2RT-R-D Transmitter (6993)
HR1 Room Humidistat (215150)
Presence detector/IR24-P (6995)
Safety switch 2-pole grey (210679)
DS 70-40 Flexible connection (1551)
FFK 70-40 Filter cassette rect (1762)
RB 70-40/27-2 400V/3 Duct heat (9645)
RBM 70-40/27 400V/3 Duct heate (5455)
VBR 70-40-3 Water heating batt (5476)

Documents

INSTALLATION_OPERATION_AND_MAINTENANCE_INSTRUCTION_KE_KT_RS_RSI_EN_002.PDF
COMMISSIONING_RECORD_FANS_EN.PDF