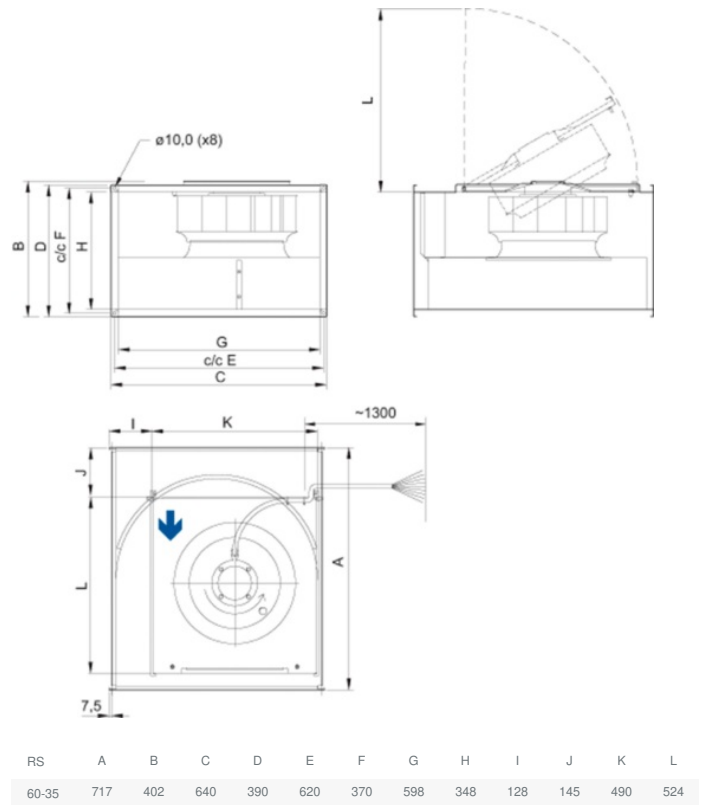


Technical parameters

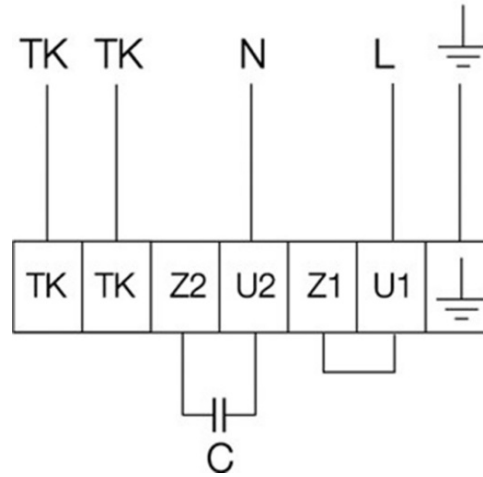
Nominal data	
Voltage (nominal)	230 V
Frequency	50 Hz
Phases	1~
Input power	326 W
Input current	1.71 A
Impeller speed	1,417 rpm
Air flow	max 3,172 m ³ /h
Temperature of transported air	max 70 °C
Max temperature of transported air, when speed controlled	70 °C
Sound data	
Sound pressure level at 3m (20m ² Sabin)	58 dB(A)
Protection/Classification	
Enclosure class, motor	IP54
Insulation class	F
Data according to ErP	
ErP ready	ErP 2018
Dimensions and weights	
Duct dimension, inlet (height x width)	350 x 600 mm
Duct dimension, outlet (height x width)	350 x 600 mm
Weight	26.3 kg
Others	
Motor type	AC

Dimension

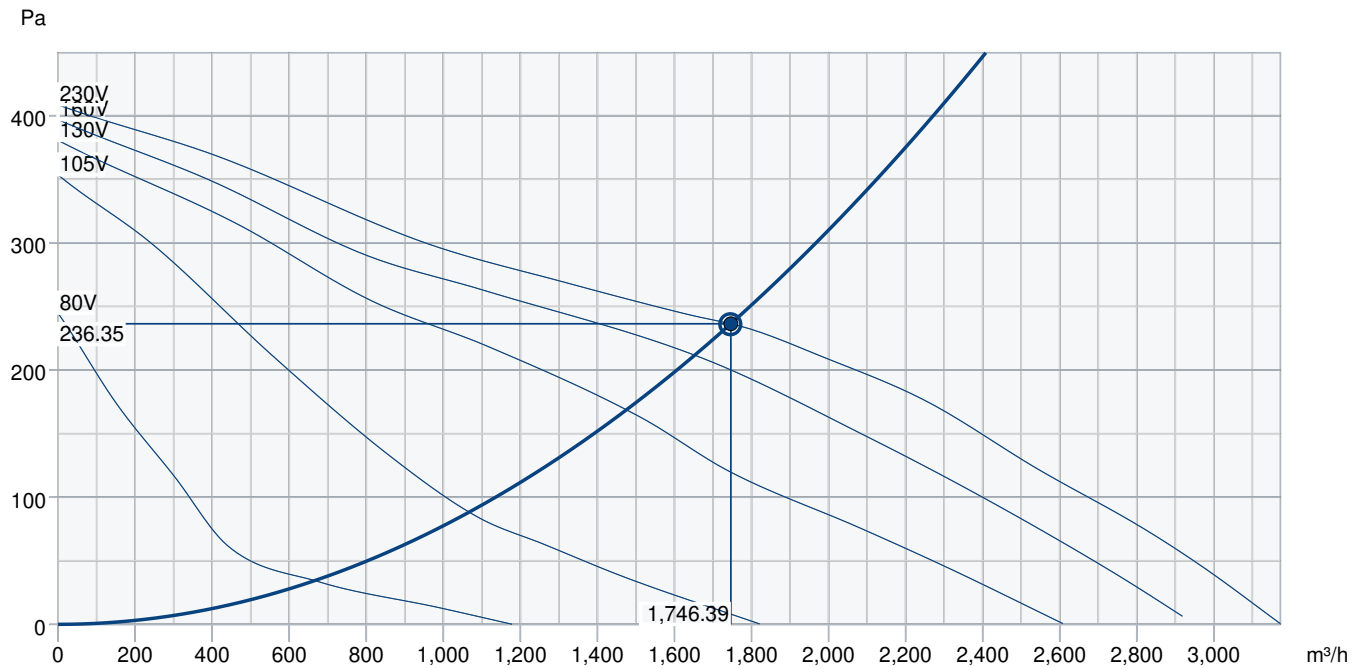


Wiring

230V 1~



Performance curve



Hydraulic data										
Required air flow										1,745 m³/h
Required static pressure										236 Pa
Working air flow										1,746 m³/h
Working static pressure										236 Pa
Air density										1.204 kg/m³
Power										309.2 W
Fan control - RPM										1,420 rpm
Current										1.67 A
SFP										0.637 kW/m³/s
Control voltage										230.0 V
Supply voltage										230 V
Sound power level		63	125	250	500	1k	2k	4k	8k	Total
Inlet	dB(A)	55	70	67	67	65	66	61	53	75
Outlet	dB(A)	59	77	73	73	73	72	67	59	82
Surrounding	dB(A)	32	62	58	55	54	53	48	42	65
Sound pressure level at 3m (20m² Sabine)	dB(A)	-	-	-	-	-	-	-	-	58
Sound pressure level at 3m free field	dB(A)	-	-	-	-	-	-	-	-	44
Accessories										

Accessories

GFL 60-35 Counter flange (2709)
Motor protect. switch S-ET 10E (161205)
REPT 6 Digital regulator (5698)
REU 3 Speed control (5005)
RTRE 3 Speed control (5009)
DTV500A (96807)
Presence detector/IR24-P (6995)
Safety switch 2-pole grey (210679)
DS 60-35 Flexible connection (1549)
FFK 60-35 Filter cassette rect (1761)
PGK 60-35-3-2,0 Duct cooler (6612)
RB 60-35/45-3 400V/3 Duct heat (9644)
VBR 60-35-2 Water heating batt (5467)
Room hygrostat HR-S (286251)

Motor protect. switch S-ET 10 (161199)
REE 4 Speed control (5317)
RETP 6 Temp/Pressure regulator (32293)
REV-5POL/05-7,5kW R/Y (33979)
CO2RT-R-D Transmitter (6993)
HR1 Room Humidistat (215150)
RT 0-30 Room Thermostat (5151)
T 120 Timer (5165)
DXRE 60-35-3-2,5 Duct cooler (7956)
LDR 60-35 Silencer (5073)
RB 60-35/27-2 400V/3 Duct heat (9643)
RBM 60-35/27 400V/3 Duct heate (5454)
VBR 60-35-4 Water heating batt (5475)

Documents

INSTALLATION_OPERATION_AND_MAINTENANCE_INSTRUCTION_KE_KT_RS_RSI_EN_002.PDF
COMMISSIONING_RECORD_FANS_EN.PDF