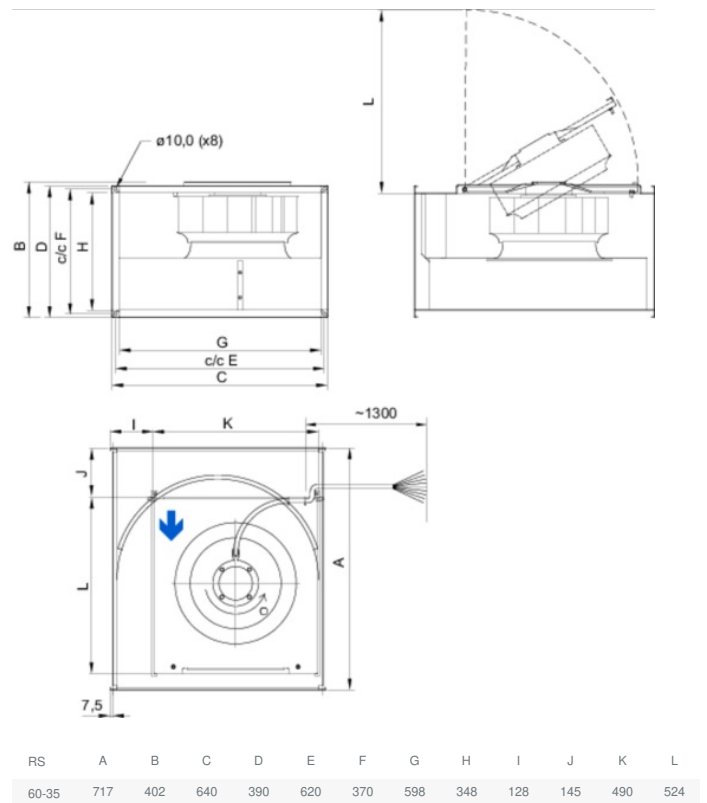




## Technical parameters

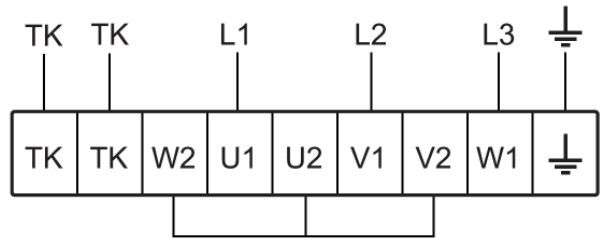
Nominal data	
Voltage (nominal)	400 V
Frequency	50 Hz
Phases	3~
Input power	537 W
Input current	1.25 A
Impeller speed	1,413 rpm
Air flow	max 4,244 m <sup>3</sup> /h
Temperature of transported air	max 70 °C
Max temperature of transported air, when speed controlled	70 °C
Sound data	
Sound pressure level at 3m (20m <sup>2</sup> Sabin)	59 dB(A)
Protection/Classification	
Enclosure class, motor	IP54
Insulation class	F
Data according to ErP	
ErP ready	ErP 2018
Dimensions and weights	
Duct dimension, inlet (height x width)	350 x 600 mm
Duct dimension, outlet (height x width)	350 x 600 mm
Weight	32 kg
Others	
Duct connection type	Rectangular
Motor type	AC

## Dimension



# Wiring

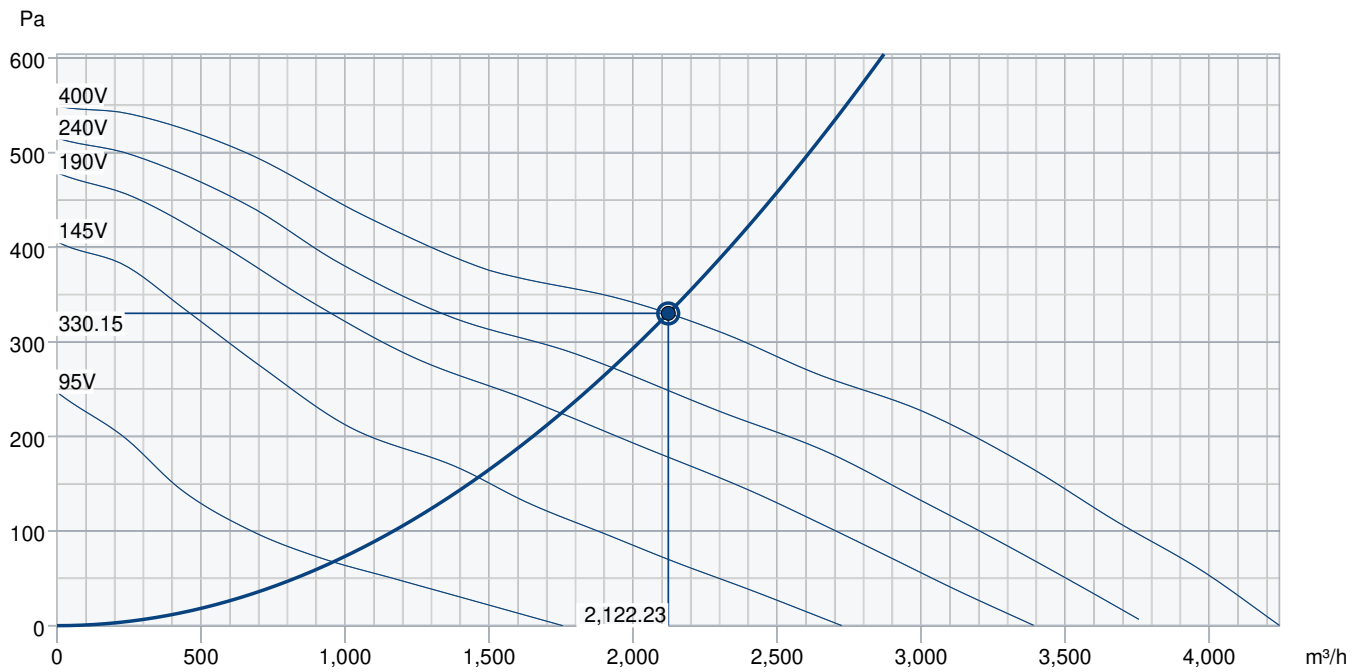
400V 3~



230V 3~



## Performance curve



Hydraulic data	
Required air flow	2,122 m³/h
Required static pressure	330 Pa
Working air flow	2,122 m³/h
Working static pressure	330 Pa
Air density	1.204 kg/m³
Power	463.8 W
Fan control - RPM	1,426 rpm
Current	1.20 A
SFP	0.787 kW/m³/s
Control voltage	400.0 V
Supply voltage	400 V

Sound power level		63	125	250	500	1k	2k	4k	8k	Total
Inlet	dB(A)	61	72	67	70	68	67	63	55	77
Outlet	dB(A)	63	73	72	74	74	71	66	57	80
Surrounding	dB(A)	34	64	58	54	55	53	49	39	66
Sound pressure level at 3m (20m² Sabine)	dB(A)	-	-	-	-	-	-	-	-	59
Sound pressure level at 3m free field	dB(A)	-	-	-	-	-	-	-	-	45

### Accessories

GFL 60-35 Counter flange (2709)	Motor protect. switch S-DT 16 (161206)
Motor protect. switch S-DT 16E (161207)	REV-5POL/07-7,5kW R/Y (33980)
RTRD 2 Speed Contr. Systemair (5941)	RTRDU 2 Speed contr. Systemair (5945)
CO2RT-R-D Transmitter (6993)	DTV500A (96807)
HR1 Room Humidistat (215150)	Presence detector/IR24-P (6995)
RT 0-30 Room Thermostat (5151)	Safety switch 3-pole grey (210680)
T 120 Timer (5165)	DS 60-35 Flexible connection (1549)
DXRE 60-35-3-2,5 Duct cooler (7956)	FFK 60-35 Filter cassette rect (1761)
LDR 60-35 Silencer (5073)	PGK 60-35-3-2,0 Duct cooler (6612)
RB 60-35/27-2 400V/3 Duct heat (9643)	RB 60-35/45-3 400V/3 Duct heat (9644)
RBM 60-35/27 400V/3 Duct heater (5454)	VBR 60-35-2 Water heating batt (5467)
VBR 60-35-4 Water heating batt (5475)	Room hygrostat HR-S (286251)

### Documents

INSTALLATION\_OPERATION\_AND\_MAINTENANCE\_INSTRUCTION\_KE\_KT\_RS\_RSI\_EN\_002.PDF  
 COMMISSIONING\_RECORD\_FANS\_EN.PDF