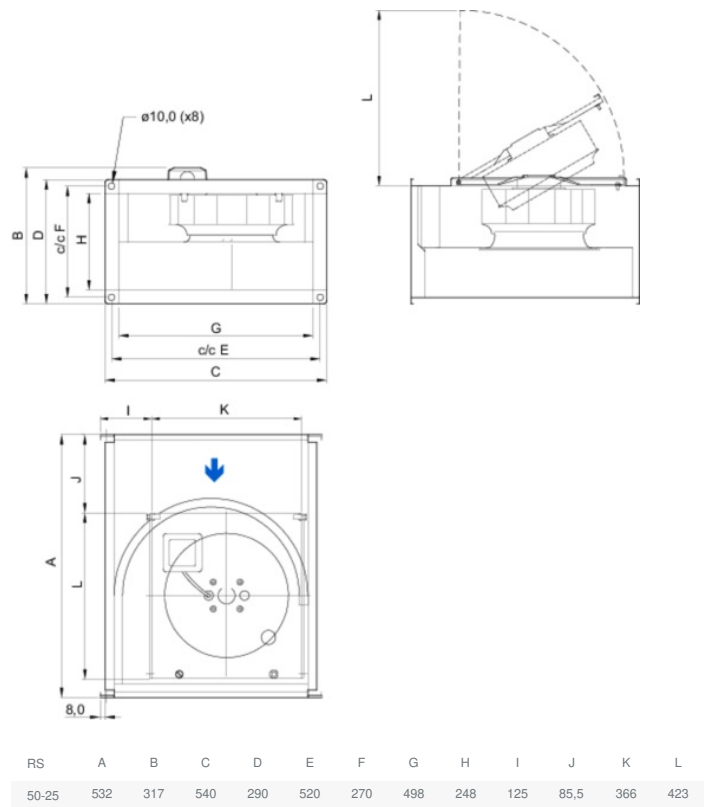




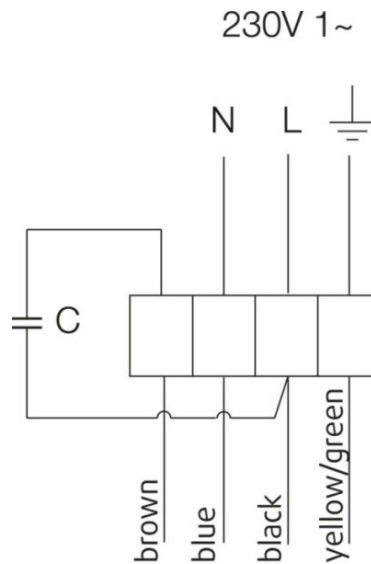
## Technical parameters

Nominal data	
Voltage (nominal)	230 V
Frequency	50 Hz
Phases	1~
Input power	129 W
Input current	0.586 A
Impeller speed	1,329 rpm
Air flow	max 1,534 m <sup>3</sup> /h
Capacitance of capacitor	4 µF
Temperature of transported air	max 70 °C
Max temperature of transported air, when speed controlled	70 °C
Sound data	
Sound pressure level at 3m (20m <sup>2</sup> Sabin)	46 dB(A)
Protection/Classification	
Enclosure class, motor	IP44
Insulation class	B
Data according to ErP	
ErP ready	ErP 2018
Dimensions and weights	
Duct dimension, inlet (height x width)	250 x 500 mm
Duct dimension, outlet (height x width)	250 x 500 mm
Weight	15.3 kg
Others	
Duct connection type	Rectangular
Motor type	AC

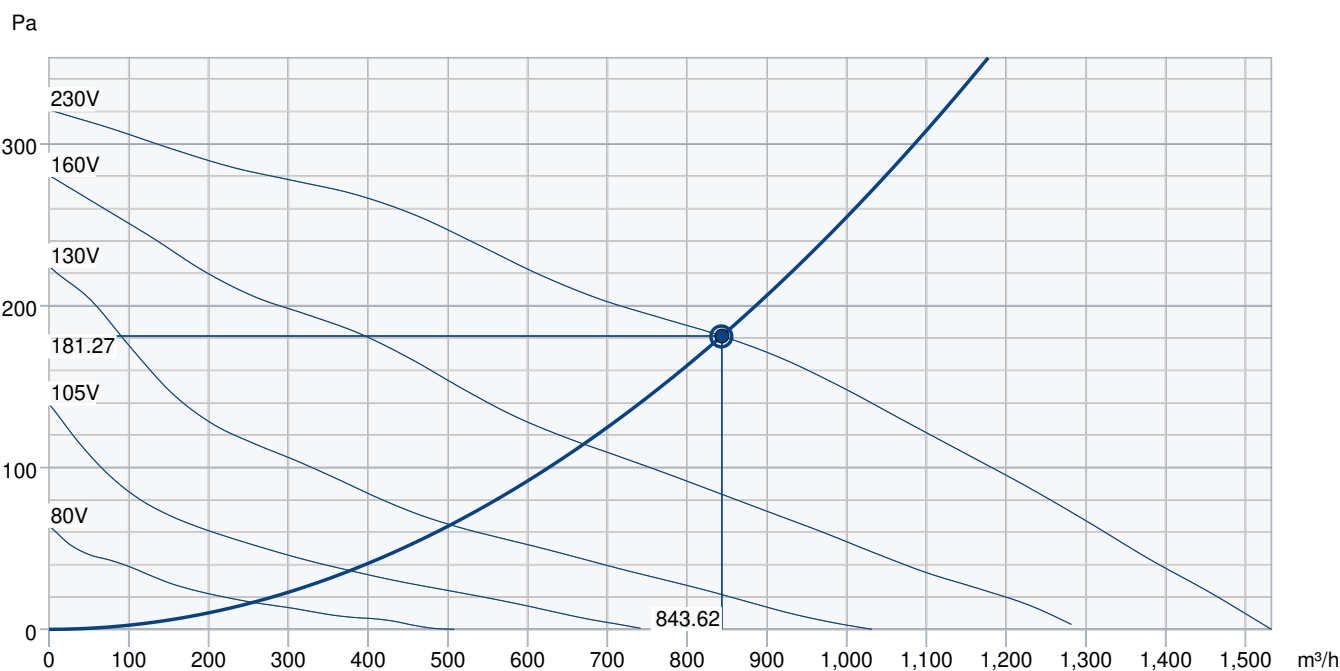
## Dimension



## Wiring



## Performance curve



### Hydraulic data

Required air flow	843 m³/h
Required static pressure	181 Pa
Working air flow	844 m³/h
Working static pressure	181 Pa
Air density	1.204 kg/m³
Power	127.2 W
Fan control - RPM	1,332 rpm
Current	0.60 A
SFP	0.543 kW/m³/s
Control voltage	230.0 V
Supply voltage	230 V

Sound power level		63	125	250	500	1k	2k	4k	8k	Total
Inlet	dB(A)	46	63	58	53	55	50	44	36	65
Outlet	dB(A)	50	61	62	62	61	57	50	41	68
Surrounding	dB(A)	30	49	49	44	44	41	34	23	53
Sound pressure level at 3m (20m² Sabine)	dB(A)	-	-	-	-	-	-	-	-	46
Sound pressure level at 3m free field	dB(A)	-	-	-	-	-	-	-	-	32

### Accessories

## Accessories

Frequency converter FRQ5SE-6A (37421)  
RE 1,5 Speed control (5000)  
REPT 6 Digital regulator (5698)  
REU 1.5 Speed control (5004)  
CO2RT-R-D Transmitter (6993)  
Frequency converter FRQSE-6A (37419)  
Presence detector/IR24-P (6995)  
Safety switch 2-pole grey (210679)  
DS 50-25 Flexible connection (1542)  
FFK 50-25 Filter cassette rect (1752)  
PGK 50-25-3-2,0 Duct cooler (6606)  
RB 50-25/22-2 400V/3 Duct heat (9633)  
VBR 50-25-4 Water heating batt (5472)  
Room hygrostat HR-S (286251)  
TUNE-S-500x250-M4 (420833)

GFL 50-25 Counter flange (2706)  
REE 1 Speed control (5314)  
RETP 6 Temp/Pressure regulator (32293)  
REV-5POL/05-7,5kW R/Y (33979)  
DTV500A (96807)  
HR1 Room Humidistat (215150)  
RT 0-30 Room Thermostat (5151)  
T 120 Timer (5165)  
DXRE 50-25-3-2,5 Duct cooler (7952)  
LDR 50-25 Silencer (5070)  
RB 50-25/15-1 400V/3 Duct heat (9629)  
RBM 50-25/15 400V/3 Duct heate (5451)  
VBR 50-30-2 Water heating batt (5465)  
TUNE-S-500x250-M0 (420829)  
TUNE-S-500x250-M5 (420834)

## Documents

INSTALLATION\_OPERATION\_AND\_MAINTENANCE\_INSTRUCTION\_KE\_KT\_RS\_RSI\_EN\_002.PDF  
COMMISSIONING\_RECORD\_FANS\_EN.PDF