

RS 40



Short description

Shutter, manual operation, DN 400

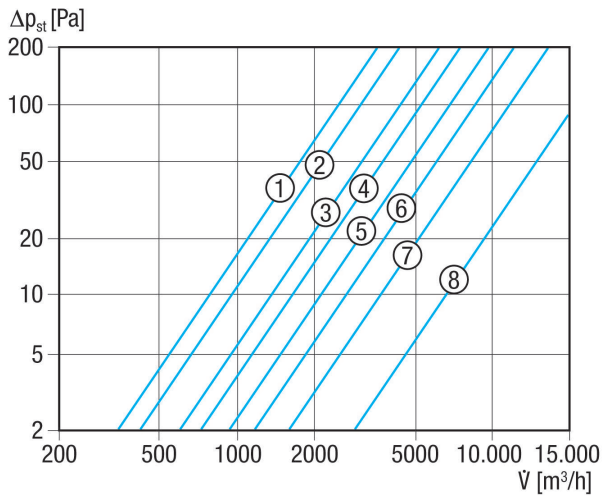
Article number 0151.0342

Technical data

Air direction	Ventilation and air extraction
Installation	outside
Installation site	Wall
Installation position	vertical
Material	Synthetic material, weather and UV resistant
Colour	Traffic white, similar to RAL 9016
Lamella colour	Silver grey
Weight	1,86 kg
Weight including packaging	2,15 kg
Type of shutter	electrical / manual
Nominal size	400 mm
Width	472 mm
Height	472 mm
Depth	41 mm
Width with packaging	535 mm
Height with packaging	485 mm
Depth with packaging	50 mm
Ambient temperature	60 °C
Packing unit	1 piece
Range	C
GTIN (EAN)	4012799513421

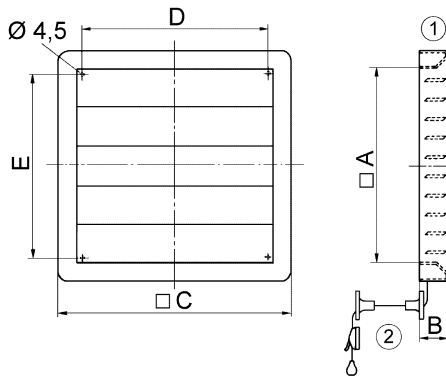
RS 40

Characteristic curve Pressure losses



- ① RS 20
- ② RS 25
- ③ RS 30
- ④ RS 35
- ⑤ RS 40
- ⑥ RS 45
- ⑦ RS 50
- ⑧ RS 60

Dimensioned drawing [mm]



A	B	C	D	E
412	41	472	405	390

- ① Manually adjustable
- ② Pulley for pull cord