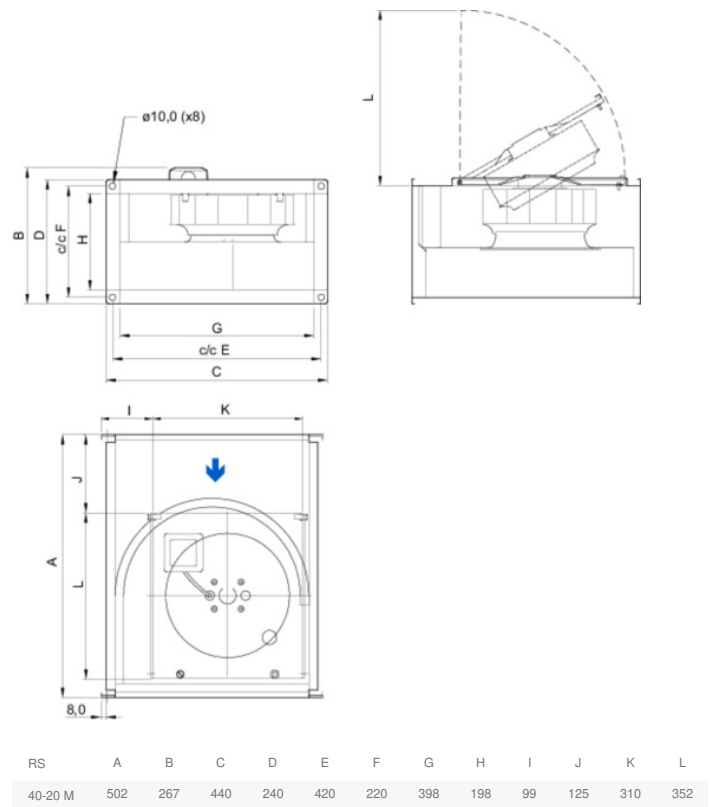


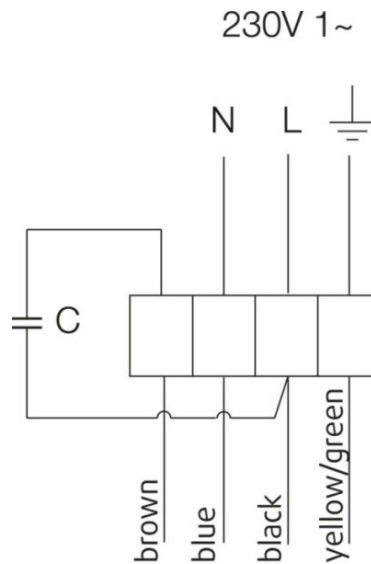
## Technical parameters

Nominal data	
Voltage (nominal)	230 V
Frequency	50 Hz
Phases	1~
Input power	107 W
Input current	0.467 A
Impeller speed	2,468 rpm
Air flow	max 925 m <sup>3</sup> /h
Capacitance of capacitor	2.5 µF
Temperature of transported air	max 70 °C
Max temperature of transported air, when speed controlled	70 °C
Sound data	
Sound pressure level at 3m (20m <sup>2</sup> Sabin)	47 dB(A)
Protection/Classification	
Enclosure class, motor	IP54
Insulation class	B
Data according to ErP	
ErP ready	ErP 2018
Dimensions and weights	
Duct dimension, inlet (height x width)	200 x 400 mm
Duct dimension, outlet (height x width)	200 x 400 mm
Weight	10.7 kg
Others	
Duct connection type	Rectangular
Motor type	AC

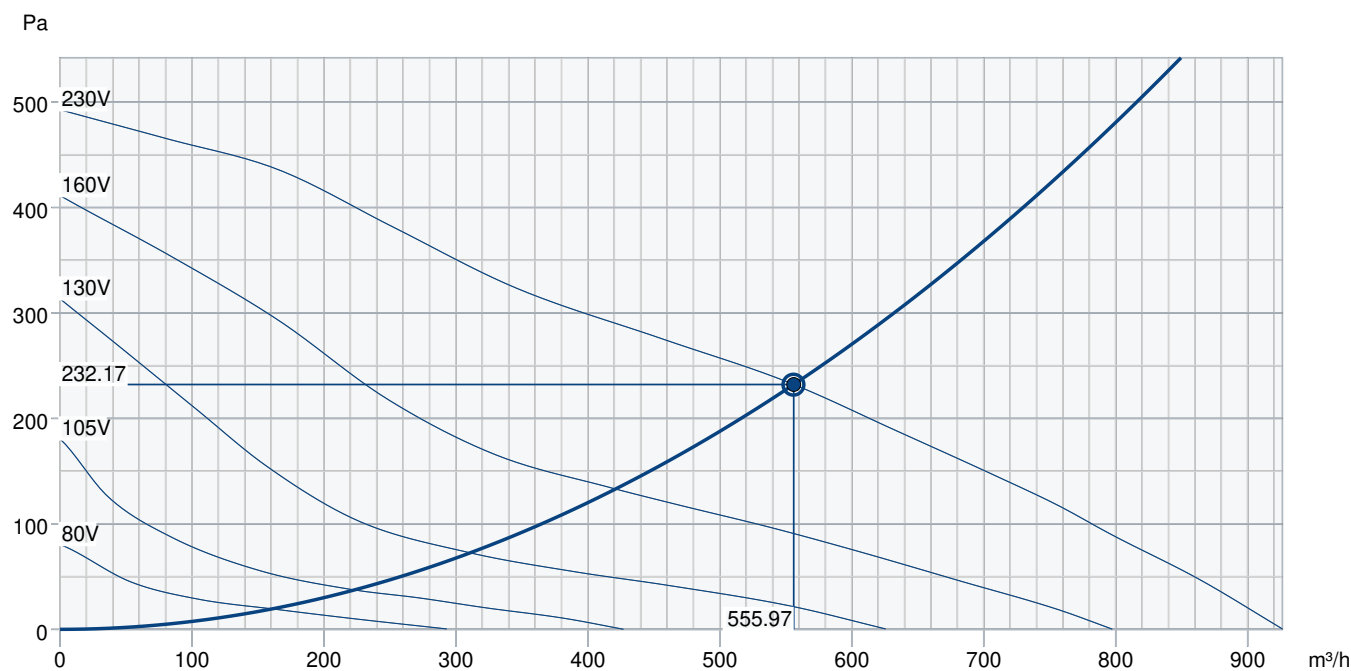
## Dimension



## Wiring



## Performance curve



### Hydraulic data

Required air flow	556 m³/h
Required static pressure	232 Pa
Working air flow	556 m³/h
Working static pressure	232 Pa
Air density	1.204 kg/m³
Power	104.1 W
Fan control - RPM	2,458 rpm
Current	0.50 A
SFP	0.674 kW/m³/s
Control voltage	230.0 V
Supply voltage	230 V

Sound power level		63	125	250	500	1k	2k	4k	8k	Total
Inlet	dB(A)	45	55	66	57	60	60	55	49	69
Outlet	dB(A)	43	53	68	63	63	66	60	57	72
Surrounding	dB(A)	20	34	53	43	44	43	38	35	54
Sound pressure level at 3m (20m² Sabine)	dB(A)	-	-	-	-	-	-	-	-	47
Sound pressure level at 3m free field	dB(A)	-	-	-	-	-	-	-	-	33

### Accessories

## Accessories

DS 40-20 Flexible connection (1539)

GFL 40-20 Counter flange (2705)

REE 1 Speed control (5314)

RETP 6 Temp/Pressure regulator (32293)

REV-3POL/03-7,5kW R/Y (33978)

CO2RT-R-D Transmitter (6993)

Frequency converter FRQSE-6A (37419)

Presence detector/IR24-P (6995)

Safety switch 2-pole grey (210679)

VBR 40-20-4 Water heating batt (5471)

FFK 40-20 Filter cassette rect (1750)

PGK 40-20-3-2,0 Duct cooler (6604)

RB 40-20/9-1 400V/3 Duct heat. (9627)

VBR 40-20-2 Water heating batt (5463)

Frequency converter FRQ5SE-6A (37421)

RE 1,5 Speed control (5000)

REPT 6 Digital regulator (5698)

REU 1.5 Speed control (5004)

WSG 40-20 weather prot. guard (30589)

DTV500A (96807)

HR1 Room Humidistat (215150)

RT 0-30 Room Thermostat (5151)

T 120 Timer (5165)

DXRE 40-20-3-2,5 Duct cooler (7951)

LDR 40-20 Silencer (5069)

RB 40-20/15-1 400V/3 Duct heat (9628)

RBM 40-20/9 400V/3 Duct heater (5450)

Room hygrostat HR-S (286251)

## Documents

INSTALLATION\_OPERATION\_AND\_MAINTENANCE\_INSTRUCTION\_KE\_KT\_RS\_RSI\_EN\_002.PDF

COMMISSIONING\_RECORD\_FANS\_EN.PDF