

RS 315L EC

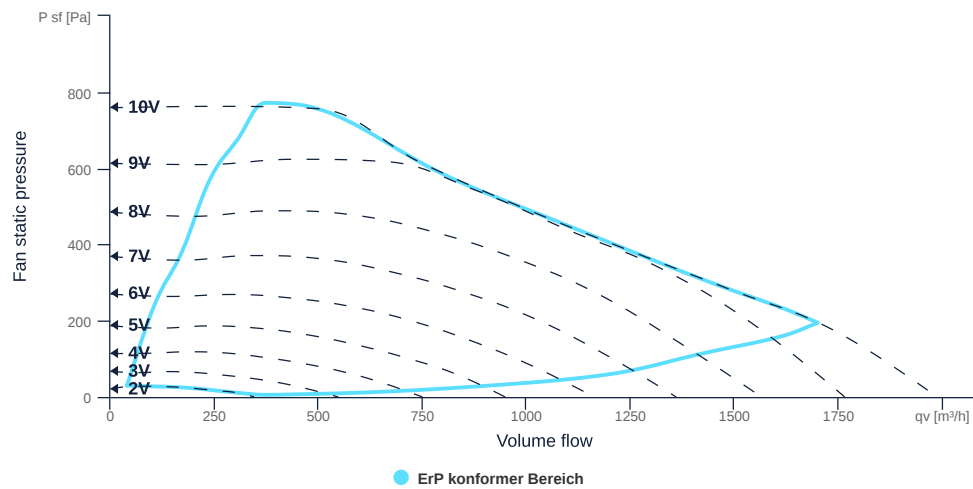
131515

- Compact radial fan
- Backward curved impeller
- Sheet steel housing, RAL 7035, powder coated
- High efficiency EC motor, steplessly controllable
- Conveyed medium temperature up to 65 °C in continuous operation
- Internal electronic temperature monitoring



MAP

| Name | Value | Unit |
|-------------|-------|------|
| Volume flow | 0 | m³/h |
| Pressure | 0 | Pa |



to the product detail page

GENERAL DATA

| Name | Value | Unit | Formula symbol |
|--|------------------|-------------------|-------------------------|
| Labeling | CE, UKCA | | |
| Duct size | - | | WxH _{duct} |
| Pipe connection size (DN) | DN315 | | DN |
| Rated voltage (entire device) | 230 | V | U _{rated} |
| Phases (entire device) | 1~ | | phase |
| Electrical protection (entire device) | 6 A | | fuse |
| Housing material | Steel | | mat _{casing} |
| Impeller material | Galvanized steel | | mat _{impeller} |
| IP-protection class (entire device) | IPX3 | | IP _{compl} |
| IP-Protection class (terminal box) | IP44 | | IP _{ebox} |
| Weight | 6 | kg | m |
| Nominal air flow rate, nominal point m ³ /h | 856.8 | m ³ /h | q _{v,nom} |
| Nominal external pressure, static | 320 | Pa | p _{s,nom} |
| Fan type | Radial | | Fan _{type} |
| Category / Installation situation | A | | cat |

ERP DATA (LOT 6)

| Name | Value | Unit | Formula symbol |
|--|---------------------------|-------------------|---------------------|
| Nominal air flow rate, nominal point m ³ /s | 0.24 | m ³ /s | q _{v,nom} |
| Actual electrical input power, nominal point | 0.15 | kW | P _{e,nom} |
| Face velocity, nominal point | 3.1 | m/s | v _{nom} |
| Nominal external pressure, static | 320 | Pa | p _{s,nom} |
| supply air fan static efficiency, nominal point | 61 | % | η _{es,SUP} |
| Highest external air leakage rate | 1.83 | % | |
| Enclosure sound level, nominal point | 80 | dB(A) | L _{WA2} |
| Rating | Product is compliant 2018 | | |



to the product detail page

MAXIMAL DATA

| Name | Value | | Unit | Formula symbol |
|---------------------------------|-------|-------|-------------------|----------------|
| | 50 Hz | 60 Hz | | |
| Max. power consumption (device) | 270 | 270 | W | $P_{ed, max}$ |
| Max. operating current (device) | 1.89 | 1.89 | A | $I_{ed, max}$ |
| Max. speed | 2950 | 2950 | 1/min | n_{max} |
| Max. stat. efficiency | 47.5 | 47.5 | % | η_{es} |
| Max. fan efficiency | 48.2 | 48.2 | % | η_e |
| Max. flowrate | 1990 | 1990 | m ³ /h | Q_v, max |
| Max. stat pressure | 760 | 760 | Pa | $p_{sf, max}$ |
| Max. medium temperature | 65 | 65 | °C | $T_{m, max}$ |
| Max. environment temperature | 65 | 65 | °C | $T_{amb, max}$ |
| Min. environment temperature | -30 | -30 | °C | $T_{amb, min}$ |

MOTOR DATA

| Name | Value | | Unit | Formula symbol |
|--------------------------|----------|---------------------|-------|------------------|
| | 50 Hz | 60 Hz | | |
| Rated frequency (device) | | 50 | | f |
| Motor type | | EC | | phase |
| Control type | | stepless-controlled | | ctrltype |
| Installation type | | ORM (Out) | | install |
| Rotation direction | | right | | rotation |
| Isolation class | | ISO F | | ISOclass |
| Motor-protection | | TEC | | protectmotor |
| Protection class | | IP30 | | IPmotor |
| Is pole-changeable | | No | | polexch |
| Type of power supply | | AC 1~ | | pwrsupmotor |
| Rated voltage | 230 | 230 | V | $U_{rated, f1}$ |
| Rated current | 1.74 | 1.74 | A | $I_{rated, f1}$ |
| Shaft power | 272 | 272 | W | $P_{out, f1}$ |
| Speed | 2547 | 2547 | 1/min | n_{f1} |
| Efficiency | 52 | | % | $\eta_m, f1$ |
| Min. temperature | | -30 | °C | $T_{motor, min}$ |
| Cos Phi | 0.000000 | 0.680000 | | $\cos \varphi$ |
| UL-Certification motor | | None | | ULcert |



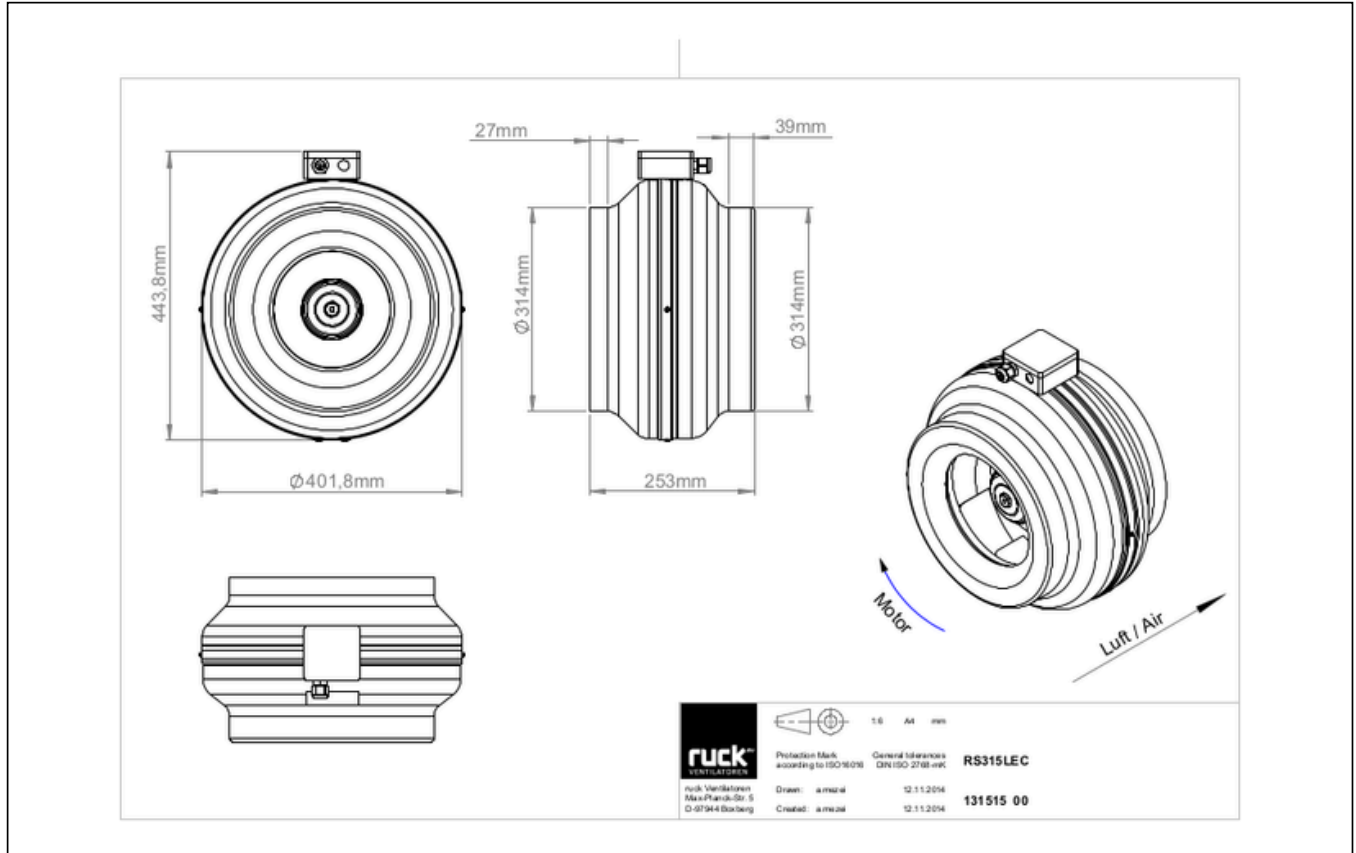
to the product detail page

RS 315L EC

131515

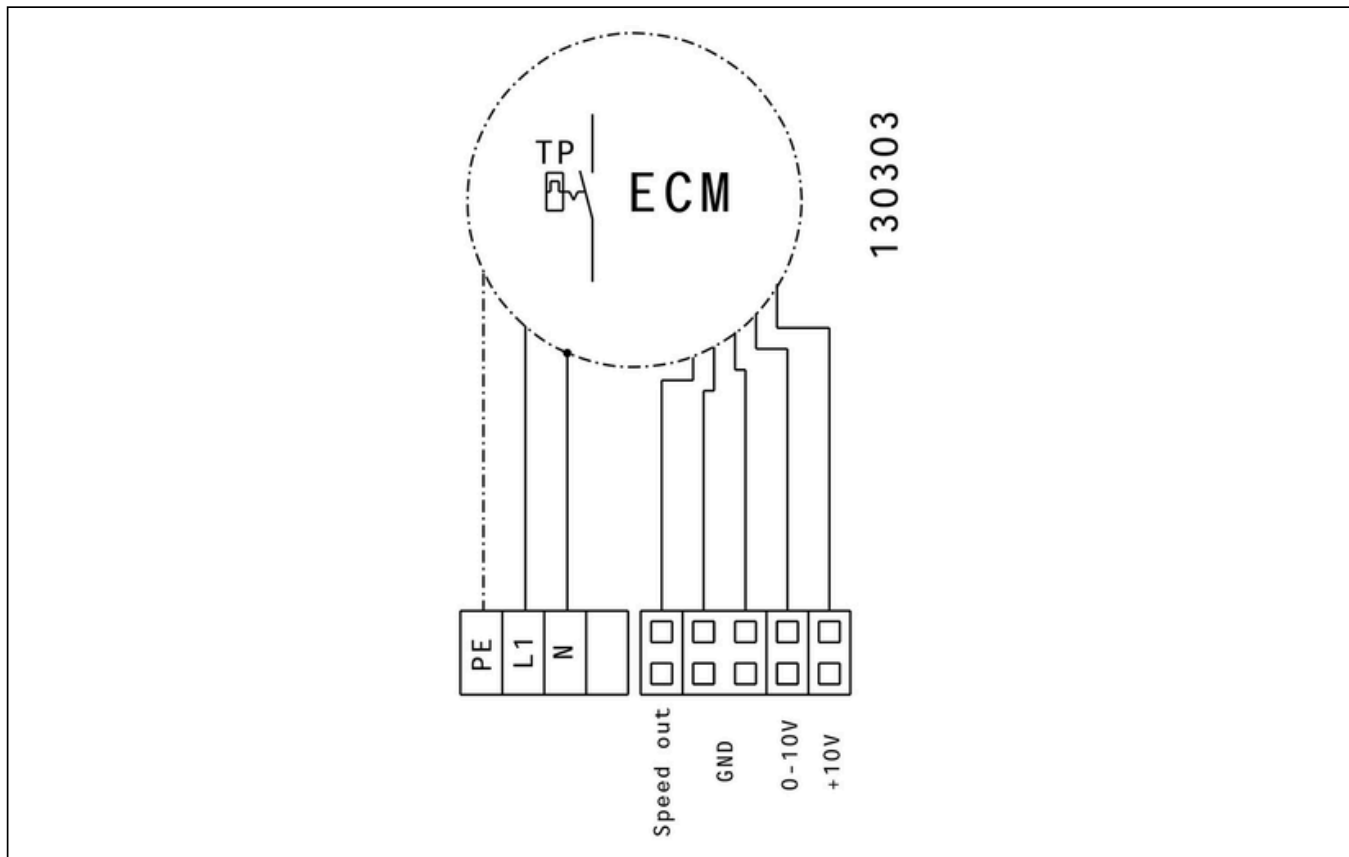


CIRCUIT DIAGRAMS / DIMENSIONAL DRAWINGS



RS 315L EC

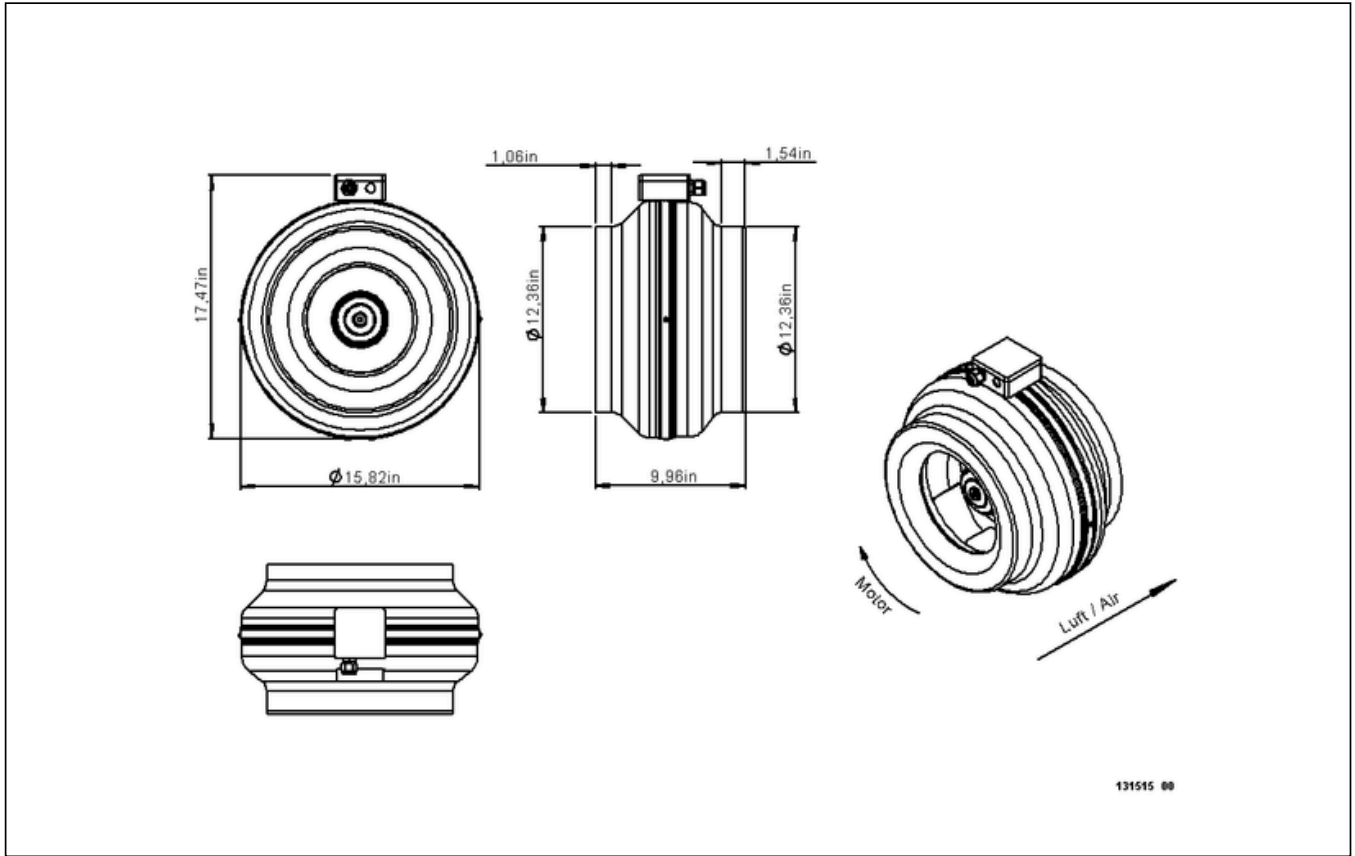
131515



[to the product detail page](#)

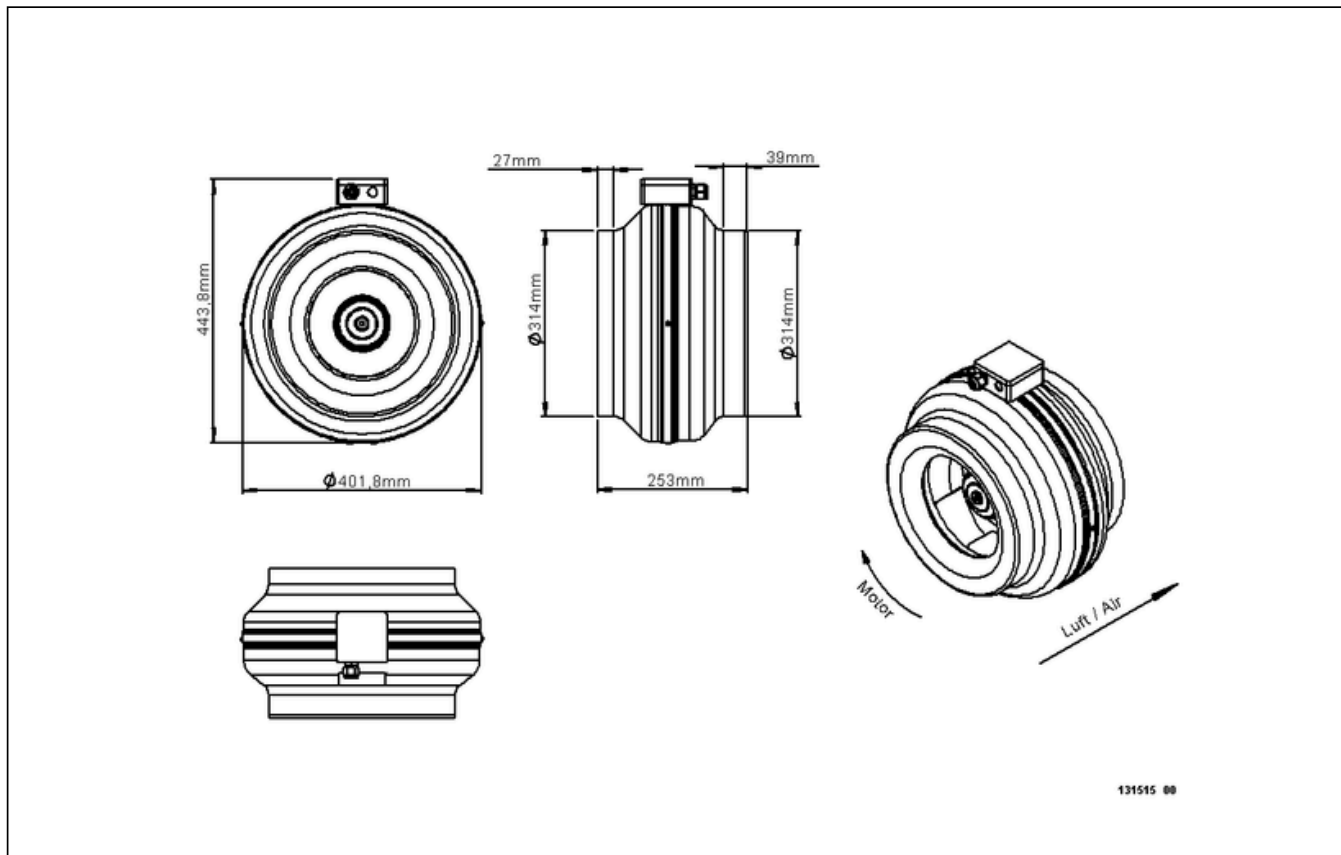
RS 315L EC

131515



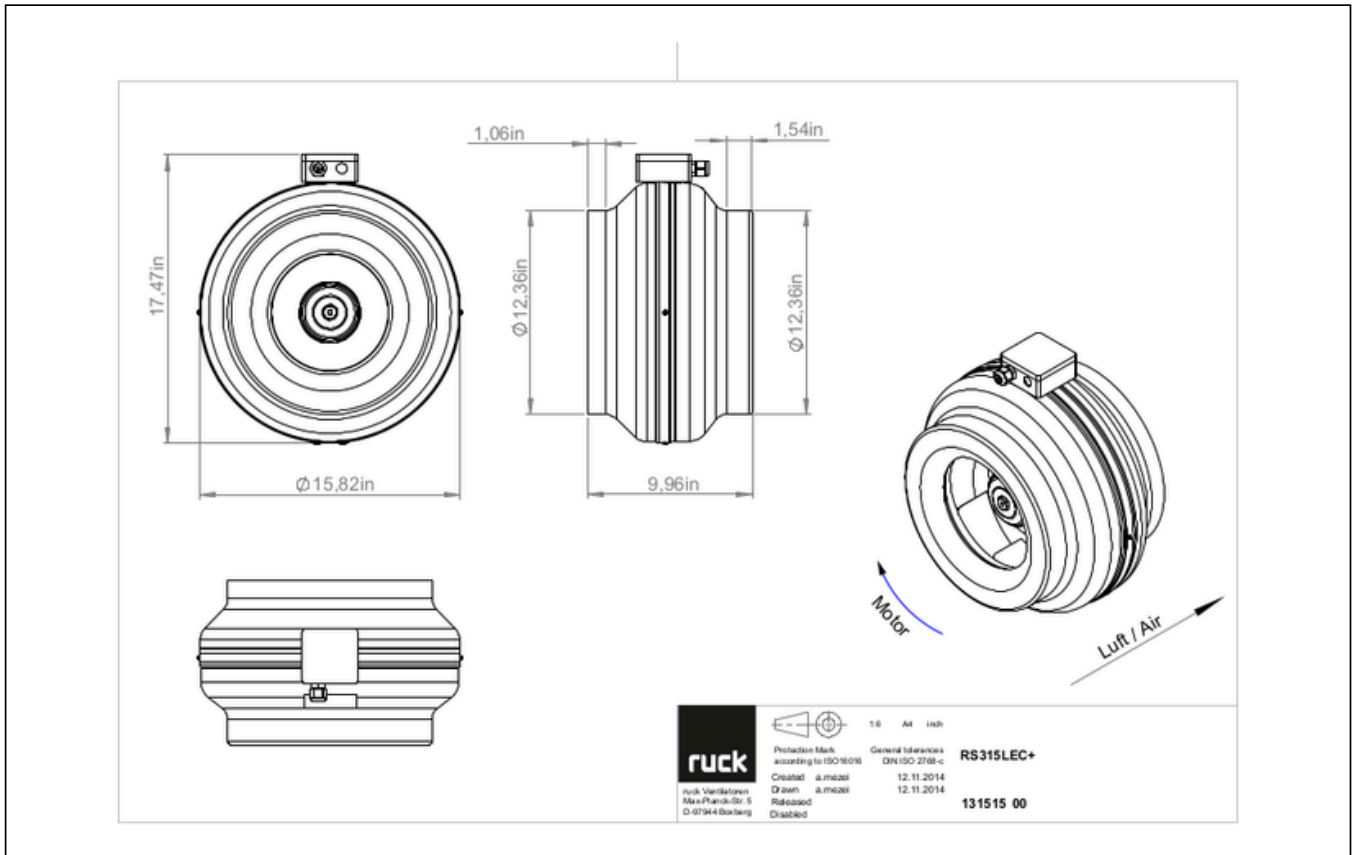
RS 315L EC

131515



RS 315L EC

131515

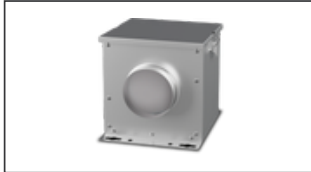


RS 315L EC

131515

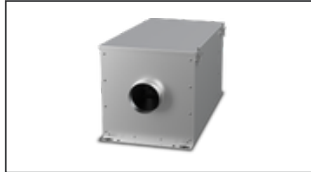
MECHANICAL ACCESSORIES

FV 315 | 112834



- Air filter box with mat filter ISO Coarse 45 % (G3)
- Toggle-type fastener

FT 315 | 112846



- Air filter box for pocket filter
- Toggle-type fastener
- Galvanized steel sheet housing
- Without filter

FTW 315 | 112855



- Air filter box with pocket filter M5
- Integrated warm water heating coil
- Galvanized steel sheet housing
- Toggle-type fastener

RSK 315 | 102664



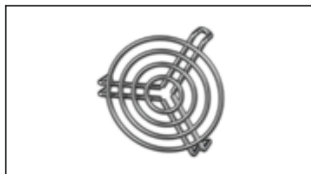
- Back draught shutter for tube fitting
- Galvanized steel sheet housing
- Aluminum flaps

MRS 2 | 110095



- Mounting bracket
- Galvanized steel sheet
- Includes: Mounting bracket and 2 Phillips screws (6 x 45 mm), 2 dowels (8 x 40 mm)

SG 315 01 | 102900



- Protection grille for tube connection
- Galvanized wire

SDF 315 | 102706



- Flexible tube silencer
- Galvanized steel sheet
- Sound insulation packing 50 mm

SDS 315 | 102723



- Rigid tube silencer
- Galvanized steel sheet
- Sound insulation packing 50 mm (mineral wool)

RSK 315D | 113489



- Back draught shutter for tube fitting
- Galvanized steel sheet housing
- Aluminum flaps
- Integrated gasket

VM 315 | 102652



- Fast clamps for sound decoupling and sealing
- Galvanized steel sheet, 5 mm
- Neopren gasket
- 1 Pack = 2 pieces



to the product detail page

RS 315L EC

131515

ELECTRICAL ACCESSORIES

GS 03 | 107633



- Device switch
- $U_{max} = 400\text{ V}$, $I_{max} = 25\text{ A}$
- Switching capacity $400\text{ V } 3\sim = 5,5\text{ kW}$
- Protection class IP 55

MTP 20 | 128146



- Potentiometer $10\text{ k}\Omega$
- Switching contact $1\text{A}/250\text{V AC}$ - $2,5\text{A}/12\text{V DC}$
- Max. ambient temperature $50\text{ }^\circ\text{C}$
- VDE

MTP 30 | 143289



- Stepped potentiometer $10\text{ k}\Omega$
- Step 1 + 2 settable $10\% - 100\% \text{ Vdc}$
- Step 3 $100\% \text{ Vdc}$
- Supply voltage $+10\text{ Vdc}$

MTP 40 | 147359



- Potentiometer $10\text{ k}\Omega$
- Connection in terminal box
- Max. ambient temperature $50\text{ }^\circ\text{C}$
- PU: 20 pieces

SEN AIR | 148641



- Airflow and temperature transducer
- Measuring range temperature $0...+50\text{ }^\circ\text{C}$
- With adjustable switching threshold (air speed)
- Measuring range air velocity up to 20 m/s

CON P1000 | 115259



- Constant pressure control
- Actual value display possible via optional control unit
- Output $0-10\text{ V DC}$ + FC enable + setpoint reached
- Pressure setting by means of decade switch

MTP 50 | 153133



- Potentiometer with multifunction output
- $230\text{ VAC } \pm 10\% / 50-60\text{ Hz}$
- Selectable output: $1-10\text{ VDC} / 2-20\text{ mA}$ / $10-100\% \text{ PWM}$
- Min. and max. output value adjustable



to the product detail page