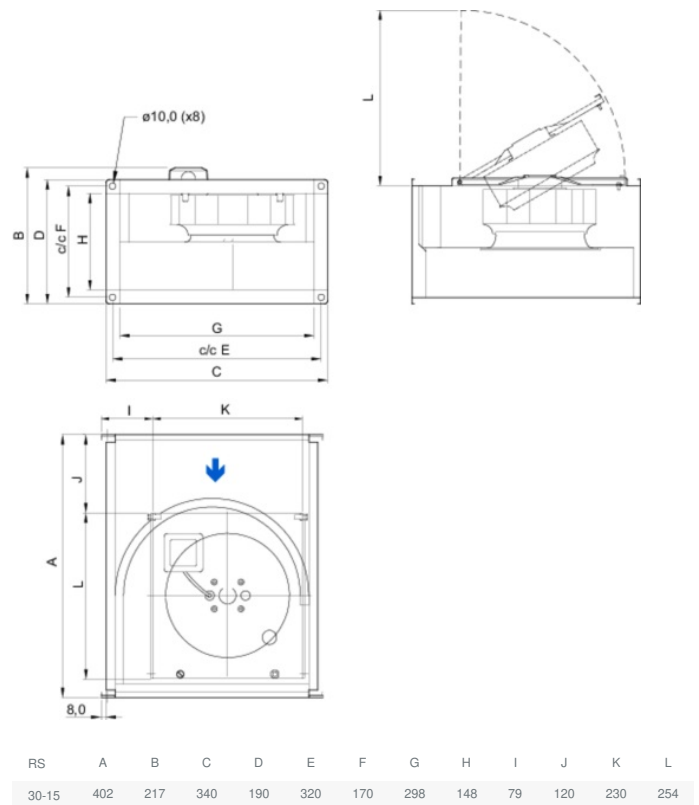


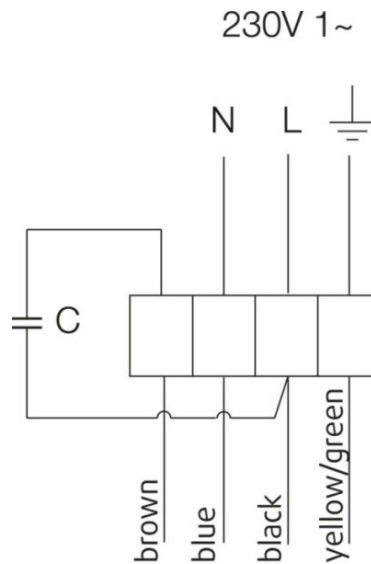
Technical parameters

Nominal data	
Voltage (nominal)	230 V
Frequency	50 Hz
Phases	1~
Input power	51 W
Input current	0.224 A
Impeller speed	2,328 rpm
Air flow	max 464 m ³ /h
Temperature of transported air	max 70 °C
Max temperature of transported air, when speed controlled	70 °C
Sound data	
Sound pressure level at 3m (20m ² Sabin)	40 dB(A)
Protection/Classification	
Enclosure class, motor	IP44
Insulation class	B
Data according to ErP	
ErP ready	ErP 2018
Dimensions and weights	
Duct dimension, inlet (height x width)	150 x 300 mm
Duct dimension, outlet (height x width)	150 x 300 mm
Weight	6.2 kg
Others	
Duct connection type	Rectangular
Motor type	AC

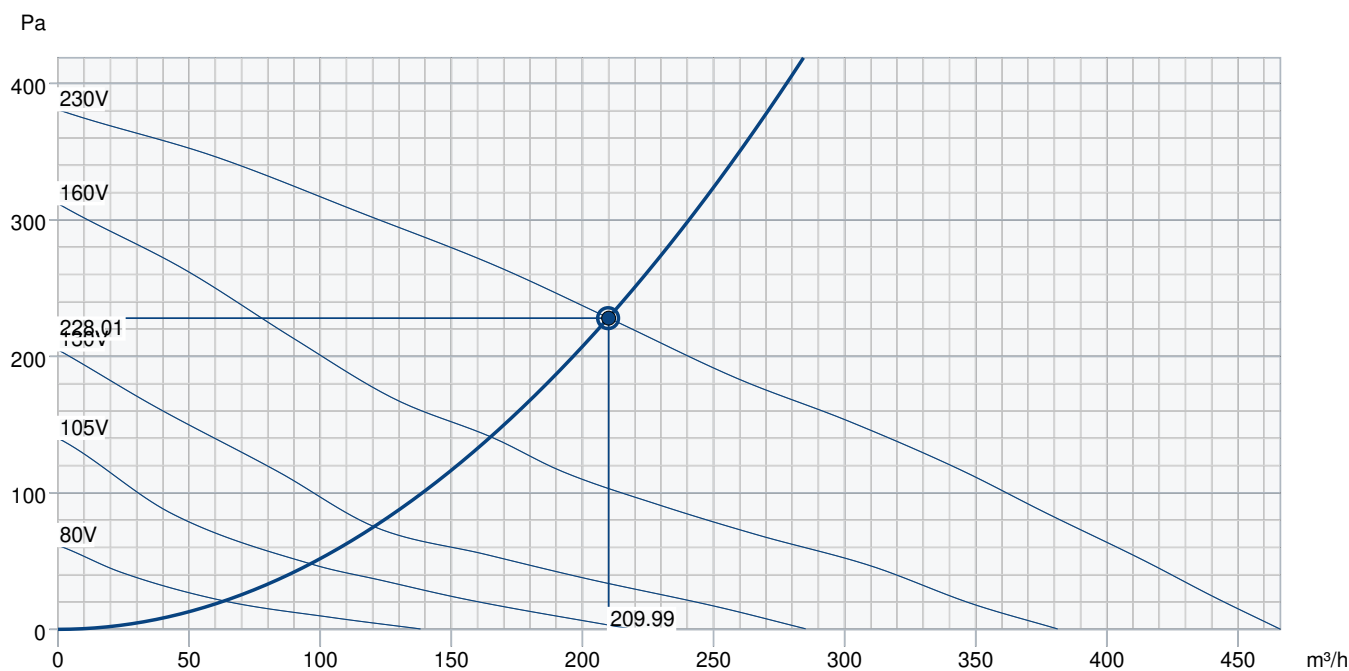
Dimension



Wiring



Performance curve



Hydraulic data

Required air flow	210 m ³ /h
Required static pressure	228 Pa
Working air flow	210 m ³ /h
Working static pressure	228 Pa
Air density	1.204 kg/m ³
Power	50.8 W
Fan control - RPM	2,343 rpm
Current	0.20 A
SFP	0.870 kW/m ³ /s
Control voltage	230.0 V
Supply voltage	230 V

Sound power level		63	125	250	500	1k	2k	4k	8k	Total
Inlet	dB(A)	43	51	61	55	54	57	51	46	64
Outlet	dB(A)	37	51	62	58	59	60	55	52	67
Surrounding	dB(A)	12	35	43	38	41	40	34	33	47
Sound pressure level at 3m (20m ² Sabine)	dB(A)	-	-	-	-	-	-	-	-	40
Sound pressure level at 3m free field	dB(A)	-	-	-	-	-	-	-	-	26

Accessories

Accessories

Frequency converter FRQ5SE-6A (37421)
REE 1 Speed control (5314)
RETP 6 Temp/Pressure regulator (32293)
REV-3POL/03-7,5kW R/Y (33978)
DTV500A (96807)
HR1 Room Humidistat (215150)
RT 0-30 Room Thermostat (5151)
T 120 Timer (5165)
FFK 30-15 Filter cassette rect (1748)
Room hygrostat HR-S (286251)

RE 1,5 Speed control (5000)
REPT 6 Digital regulator (5698)
REU 1.5 Speed control (5004)
CO2RT-R-D Transmitter (6993)
Frequency converter FRQSE-6A (37419)
Presence detector/IR24-P (6995)
Safety switch 2-pole grey (210679)
DS 30-15 Flexible connection (1537)
LDR 30-15 Silencer (5068)

Documents

INSTALLATION_OPERATION_AND_MAINTENANCE_INSTRUCTION_KE_KT_RS_RSI_EN_002.PDF
COMMISSIONING_RECORD_FANS_EN.PDF