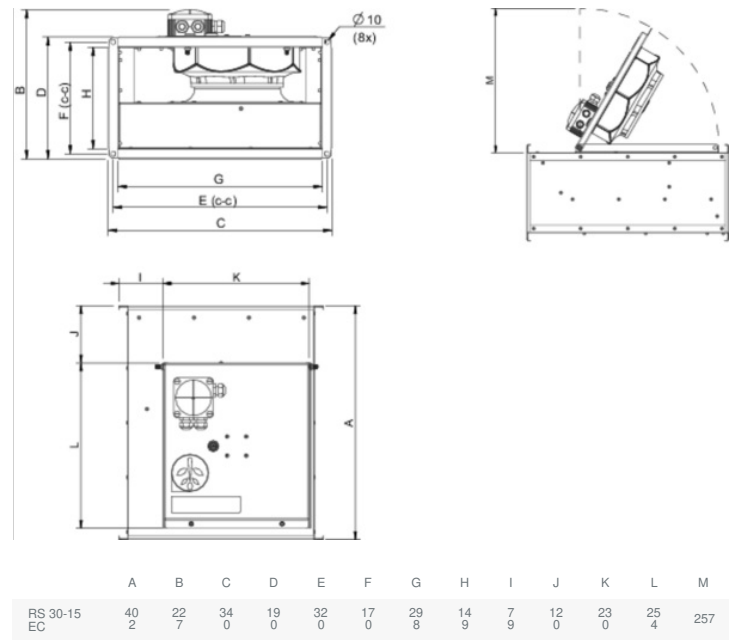


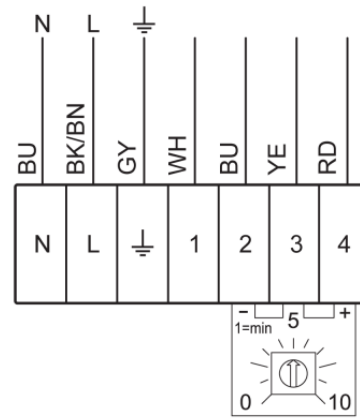
Technical parameters

Nominal data	
Voltage (nominal)	230 V
Frequency	50 Hz
Phases	1~
Input power	89 W
Input current	0.733 A
Impeller speed	3,216 rpm
Air flow	max 644 m ³ /h
Temperature of transported air	max 60 °C
Max temperature of transported air, when speed controlled	60 °C
Sound data	
Sound pressure level at 3m (20m ² Sabin)	50 dB(A)
Protection/Classification	
Enclosure class, motor	IP54
Insulation class	B
Data according to ErP	
ErP ready	ErP 2016; ErP 2018
Dimensions and weights	
Duct dimension, inlet (height x width)	150 x 300 mm
Duct dimension, outlet (height x width)	150 x 300 mm
Weight	6.2 kg
Others	
Duct connection type	Rectangular
Motor type	EC

Dimension



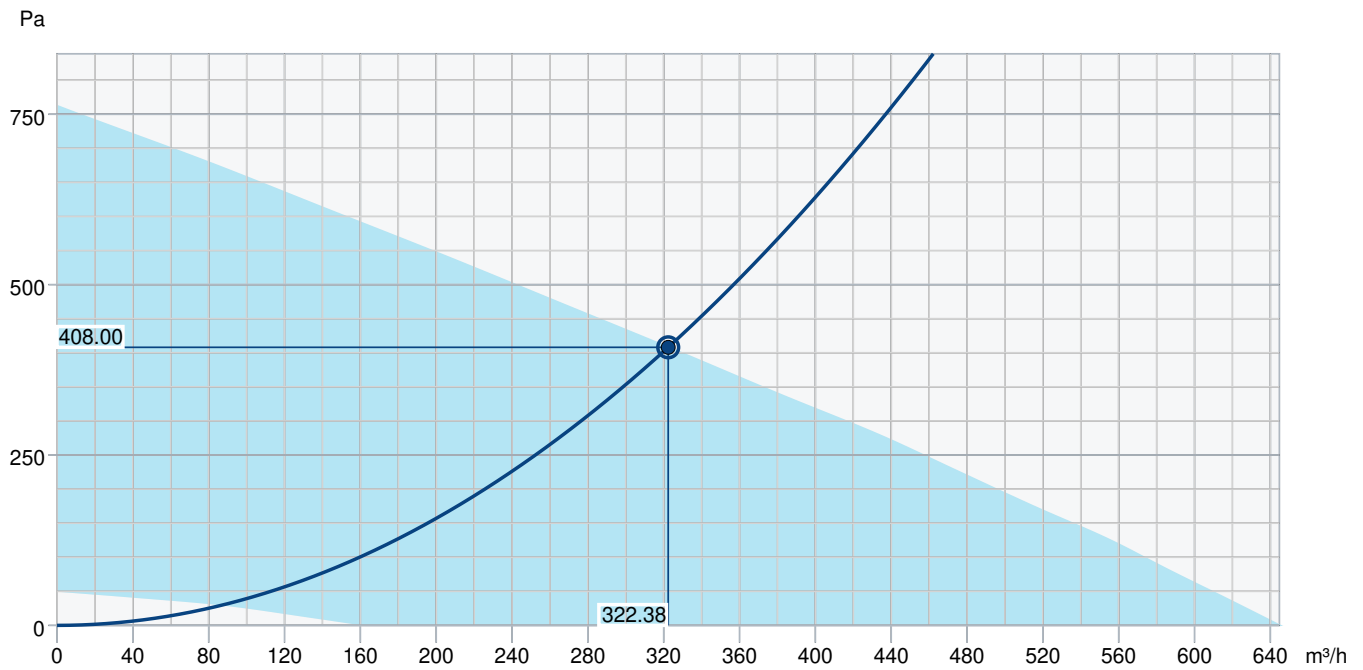
Wiring



Terminal	Cable	Description
N	BU = Blue	
L	BK/BN = Black or Brown	
GND	GY = Green/Yellow	
1	WH = White	Tacho output, Isink max 10mA
2	BU = Blue	GND
3	YE = Yellow	Control input 0-10 VDC/PWM
4	RD = Red	Output 10 VDC max 1.1 mA

Internal potentiometer is mounted (removable) on the terminal block from the factory. Remove the internal potentiometer when you use an external speed controller for the EC fan.

Performance curve



Hydraulic data										
Required air flow										322 m³/h
Required static pressure										408 Pa
Working air flow										322 m³/h
Working static pressure										408 Pa
Air density										1.204 kg/m³
Power										84.5 W
Fan control - RPM										3,216 rpm
Current										0.70 A
SFP										0.944 kW/m³/s
Control voltage										10.0 V
Supply voltage										230 V

Sound power level		63	125	250	500	1k	2k	4k	8k	Total
Inlet	dB(A)	67	57	63	69	61	63	58	56	73
Outlet	dB(A)	60	57	63	71	66	68	63	62	75
Surrounding	dB(A)	44	41	44	54	46	46	41	37	56
Sound pressure level at 3m (20m² Sabine)	dB(A)	-	-	-	-	-	-	-	-	49
Sound pressure level at 3m free field	dB(A)	-	-	-	-	-	-	-	-	35

Accessories

EC-Basic-CO2 and temperature (24808)

EC-Basic-T temperature (24805)

EC-Vent control board (3115)

MTP 10, 10K, Speed control (32731)

Potentiometer MTP 20, 0-10V (310220)

Step switch S-5EC-2, 0-10V (449084)

DTV500A (96807)

Presence detector/IR24-P (6995)

Safety switch 2-pole grey (210679)

DS 30-15 Flexible connection (1537)

LDR 30-15 Silencer (5068)

TUNE-S-300x150-M0 (420597)

TUNE-S-300x150-M5 (420602)

EC-Basic-H humidity (24807)

EC-Basic-U universal 0-10V (24806)

EC-Vent Room Unit (3018)

MTV-1/010 Controller 0..10V+ (30650)

REV-3POL/03-7,5kW R/Y (33978)

CO2RT-R-D Transmitter (6993)

HR1 Room Humidistat (215150)

RT 0-30 Room Thermostat (5151)

T 120 Timer (5165)

FFK 30-15 Filter cassette rect (1748)

Room hygrostat HR-S (286251)

TUNE-S-300x150-M4 (420601)

Documents

INSTALLATION_OPERATION_AND_MAINTENANCE_INSTRUCTION_KE__KT__RS__RSI__EN_002.PDF

COMMISSIONING_RECORD_FANS__EN.PDF