

RS 250L 10

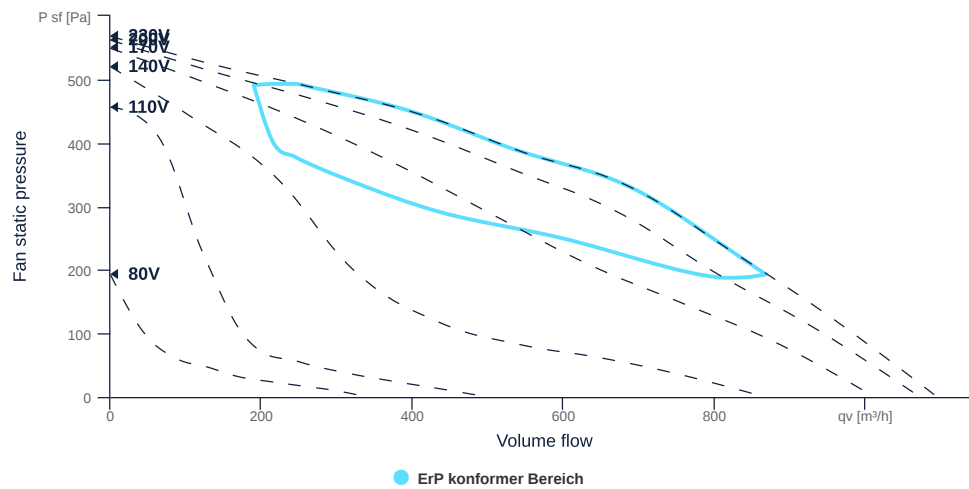
136398

- Compact radial fan
- Backward curved impeller
- Sheet steel housing, RAL 7035, powder coated
- Robust single phase AC motor, steplessly controllable
- Conveyed medium temperature up to 70 °C in continuous operation
- Integrated thermal switch



MAP

Name	Value	Unit
Volume flow	0	m³/h
Pressure	0	Pa



to the product detail page

RS 250L 10

136398

ruck

GENERAL DATA

Name	Value	Unit	Formula symbol
Labeling	CE, UKCA		
Duct size	-		WxH _{duct}
Pipe connection size (DN)	DN250		DN
Rated voltage (entire device)	230	V	U _{rated}
Phases (entire device)	1~		phase
Electrical protection (entire device)	6 A		fuse
Housing material	Steel		mat _{casing}
Impeller material	Plastic		mat _{impeller}
IP-protection class (entire device)	IPX4		IP _{compl}
IP-Protection class (terminal box)	IP44		IP _{ebox}
Weight	5.1	kg	m
Nominal air flow rate, nominal point m ³ /h	831.6	m ³ /h	Q _{v,nom}
Nominal external pressure, static	221	Pa	ps, _{nom}
Fan type	Radial		Fan _{type}
Category / Installation situation	A		cat

ERP DATA (LOT 6)

Name	Value	Unit	Formula symbol
Nominal air flow rate, nominal point m ³ /s	0.23	m ³ /s	Q _{v,nom}
Actual electrical input power, nominal point	0.16	kW	P _{e,nom}
Face velocity, nominal point	4.7	m/s	v _{nom}
Nominal external pressure, static	221	Pa	ps, _{nom}
supply air fan static efficiency, nominal point	43.3	%	η _{es,SUP}
Enclosure sound level, nominal point	62	dB(A)	L _{WA2}
Rating	Product is compliant 2018		



RS 250L 10

136398

ruck

MAXIMAL DATA

Name	Value		Unit	Formula symbol
	50 Hz	60 Hz		
Max. power consumption (device)	161	239	W	P _{ed, max}
Max. operating current (device)	0.88	1.11	A	I _{ed, max}
Max. speed	2910	3440	1/min	n _{max}
Max. stat. efficiency	37.5	34.2	%	η _{es}
Max. fan efficiency	38.3	34.7	%	η _e
Max. flowrate	1090	1260	m ³ /h	Q _{v, max}
Max. stat pressure	570	790	Pa	p _{st, max}
Max. medium temperature	70	45	°C	T _{m, max}
Max. environment temperature	70	45	°C	T _{amb, max}
Min. environment temperature	-25	-25	°C	T _{amb, min}
Min. voltage	80	80	V	U _{min}

MOTOR DATA

Name	Value		Unit	Formula symbol
	50 Hz	60 Hz		
Rated frequency (device)		50		f
Motor type		AC 1~		phase
Control type		stepless-controlled		ctrltype
Installation type		ORM (Out)		install
Rotation direction		right		rotation
Isolation class		ISO F		ISOclass
Motor-protection		TMI		protectmotor
Protection class		IP33		IP _{motor}
Is pole-changeable		No		polexch
Type of power supply		AC 1~		pwrSUP _{motor}
Capacity capacitor		5	μF	C _{cond}
Voltage capacitor		400	V	VU _{cond}
Number of poles (1)		2.000000		num poles _{w1}
Rated voltage	230		V	U _{rated, f1}
Rated current	0.7		A	I _{rated, f1}
Speed	2685		1/min	n _{f1}
Min. temperature	-30		°C	T _{motor, min}
UL-Certification motor		None		ULcert

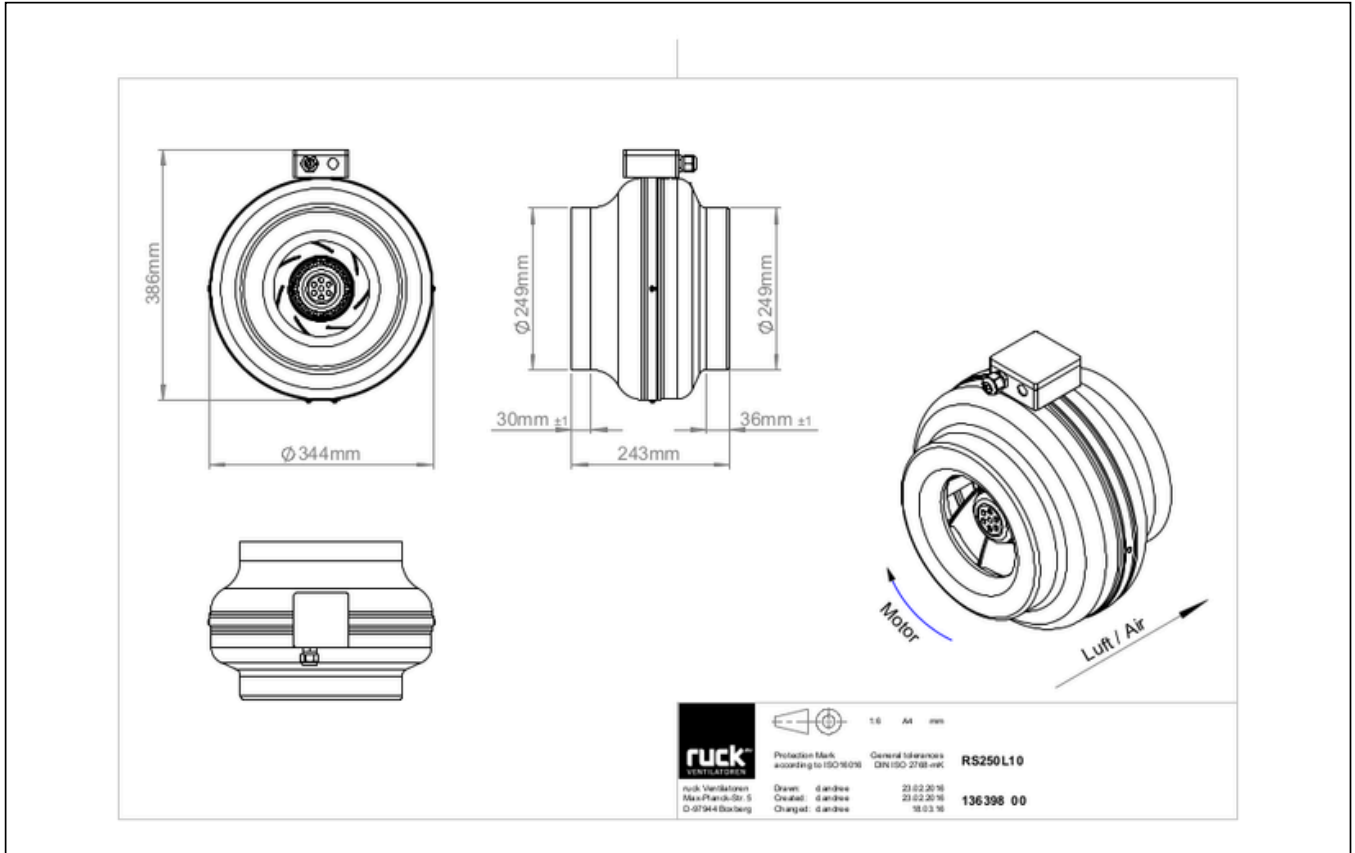


to the product detail page

RS 250L 10

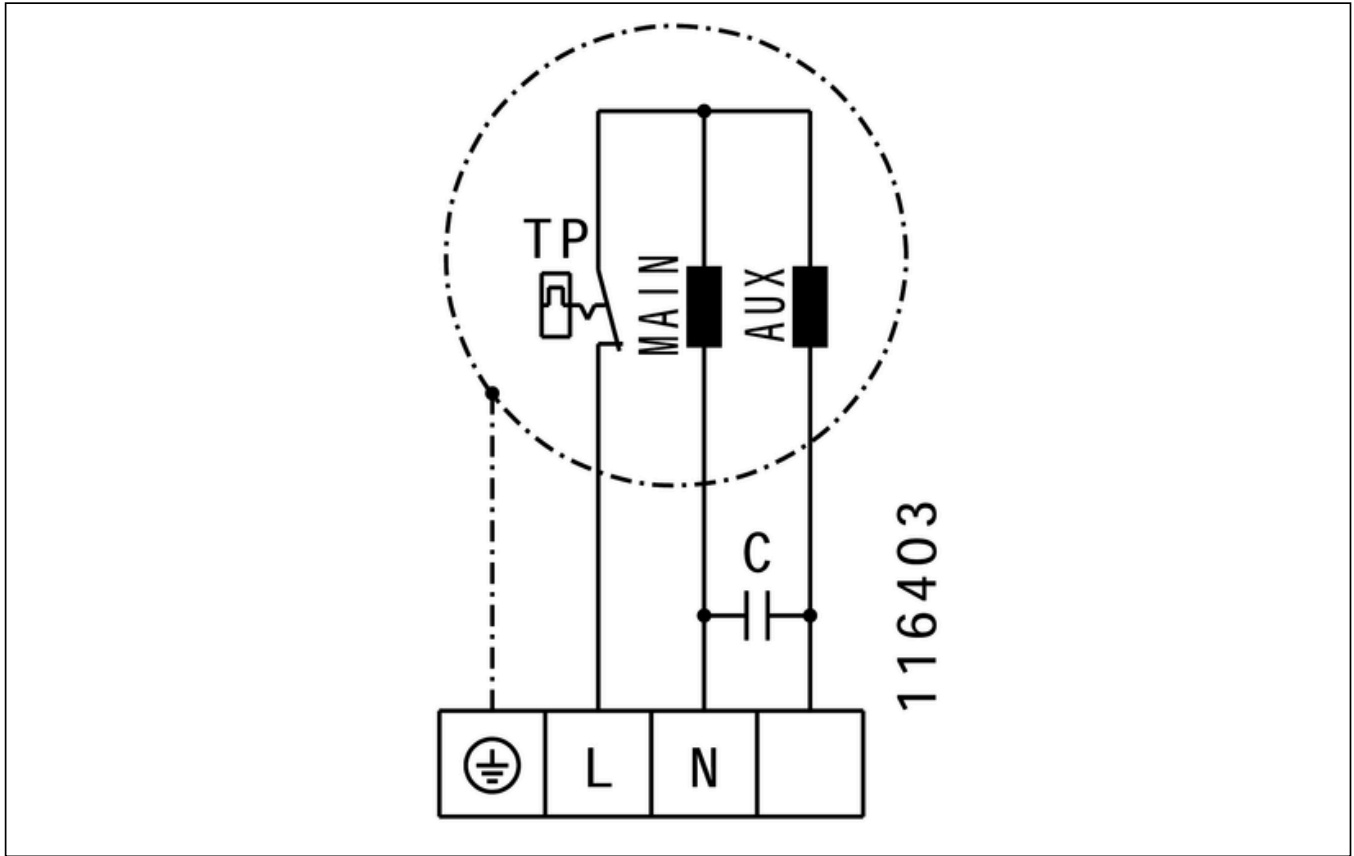
136398

CIRCUIT DIAGRAMS / DIMENSIONAL DRAWINGS



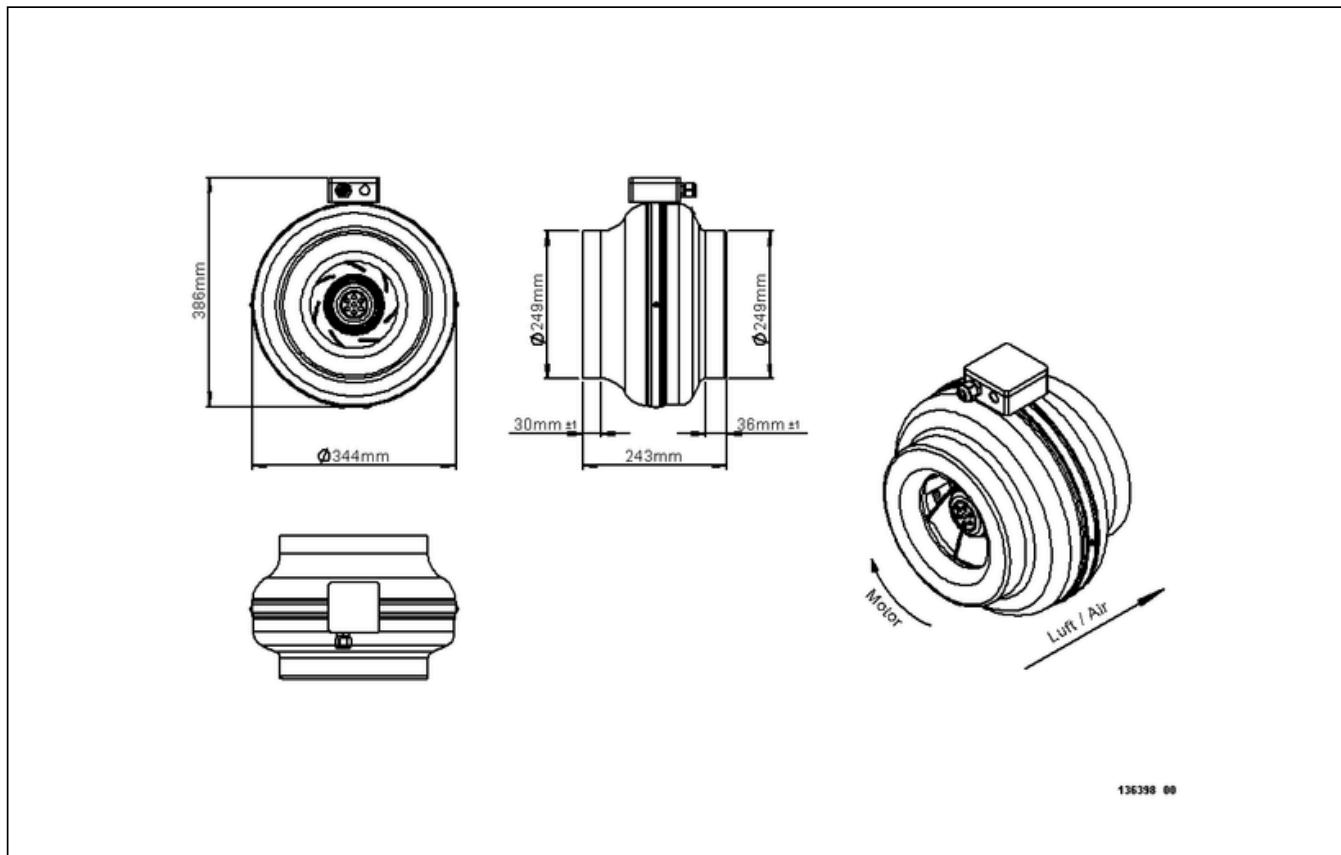
RS 250L 10

136398



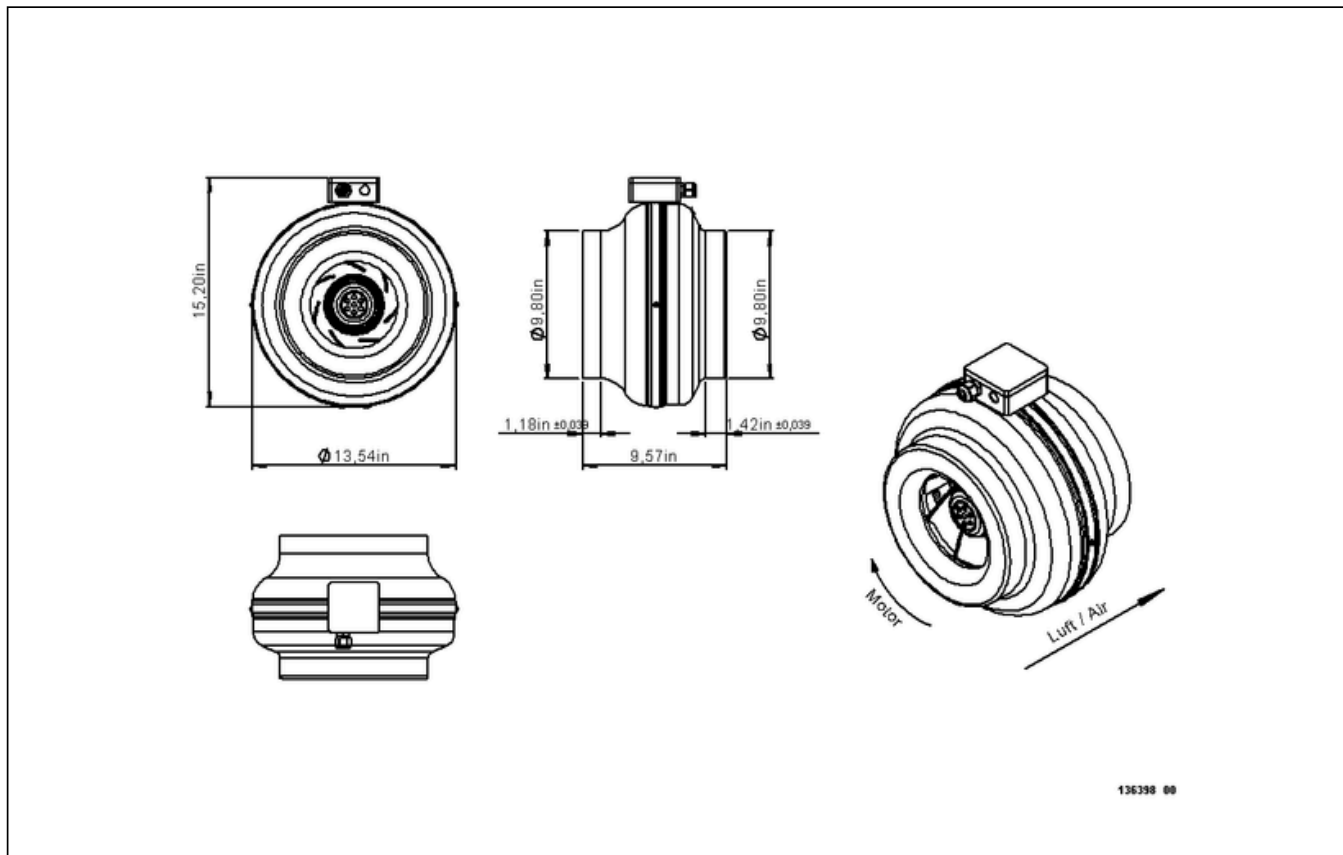
RS 250L 10

136398



RS 250L 10

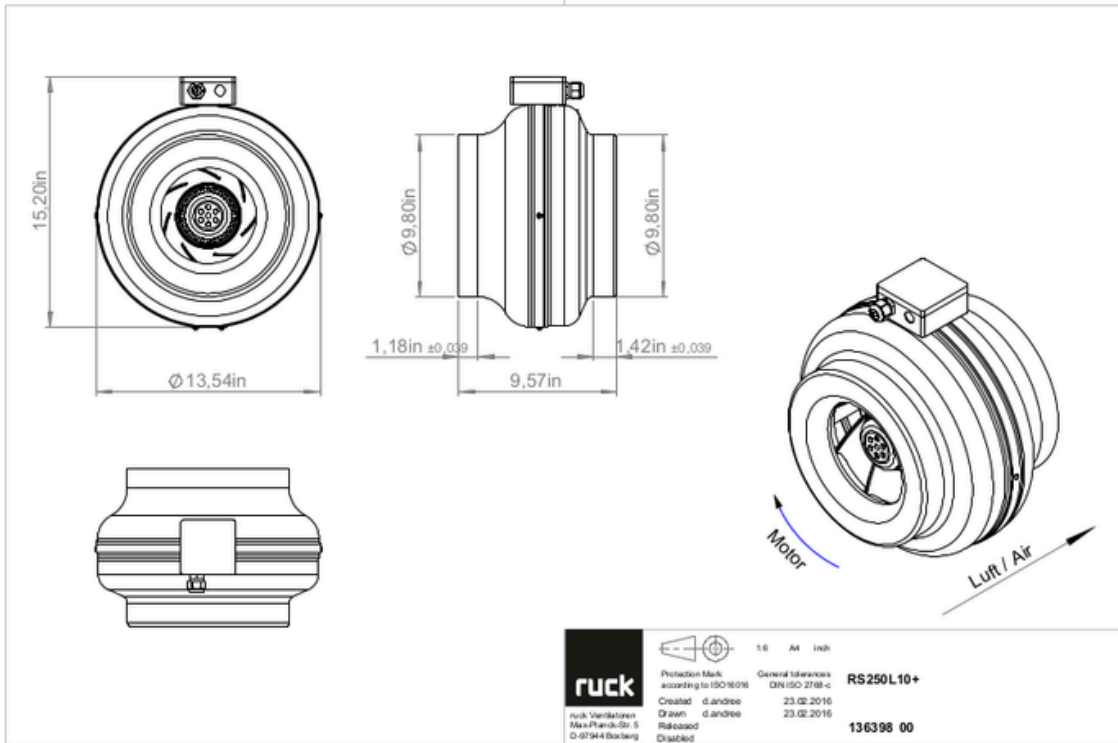
136398



RS 250L 10

136398

ruck

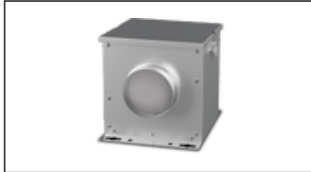


RS 250L 10

136398

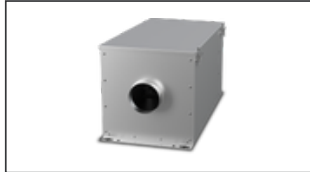
MECHANICAL ACCESSORIES

FV 250 | 112833



- Air filter box with mat filter ISO Coarse 45 % (G3)
- Toggle-type fastener

FT 250 | 112845



- Air filter box for pocket filter
- Toggle-type fastener
- Galvanized steel sheet housing
- Without filter

FTW 250 | 112854



- Air filter box with pocket filter M5
- Integrated warm water heating coil
- Galvanized steel sheet housing
- Toggle-type fastener

RSK 250D | 113488



- Back draught shutter for tube fitting
- Galvanized steel sheet housing
- Aluminum flaps
- Integrated gasket

VM 250 | 102651



- Fast clamps for sound decoupling and sealing
- Galvanized steel sheet, 5 mm
- Neopren gasket
- 1 Pack = 2 pieces

KWR 250 02 | 124066



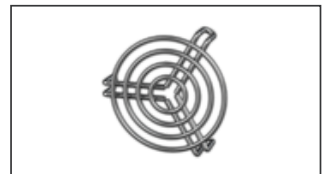
- Cold water cooler, uninsulated
- Version left
- Connection ND 250
- Galvanized steel sheet with condensate tray

MRS 2 | 110095



- Mounting bracket
- Galvanized steel sheet
- Includes: Mounting bracket and 2 Phillips screws (6 x 45 mm), 2 dowels (8 x 40 mm)

SG 250 01 | 102899



- Protection grille for tube connection
- Galvanized wire

SDF 250 | 102705



- Flexible tube silencer
- Galvanized steel sheet
- Sound insulation packing 50 mm

RSK 250 | 102686



- Back draught shutter for tube fitting
- Galvanized steel sheet housing
- Aluminum flaps

SDS 250 | 102721



- Rigid tube silencer
- Galvanized steel sheet
- Sound insulation packing 50 mm (mineral wool)

KWR 250 01 | 124065



- Cold water cooler, uninsulated
- Version right
- Connection ND 250
- Galvanized steel sheet with condensate tray



to the product detail page

RS 250L 10

136398

ELECTRICAL ACCESSORIES

GS 01 | 102787



- Isolator switch
- $U_{max} = 400\text{ V}$, 50/60 Hz
- Switching capacity 400 V 3~ = 5,5 kW
- $I_{max} = 16\text{ A}$

MTY 1 | 103428



- Electronic controller
- Stepless
- 230 V ~, 50 Hz
- Max. ambient temperature 35 °C
- $I_{max} = 1\text{ A}$
- Surface and flush mounting

ETY 15 | 115891



- Electronic controller
- Stepless speed control
- 230 V ~, 50 Hz, 2,5 A
- Max. ambient temperature 35 °C

TES 0145 | 111858



- Step transformer
- 230 V ~, 50/60 Hz

TEE 015 | 115893



- 5-step transformer
- 230 V ~, 50/60 Hz



to the product detail page