

RS 200L 10

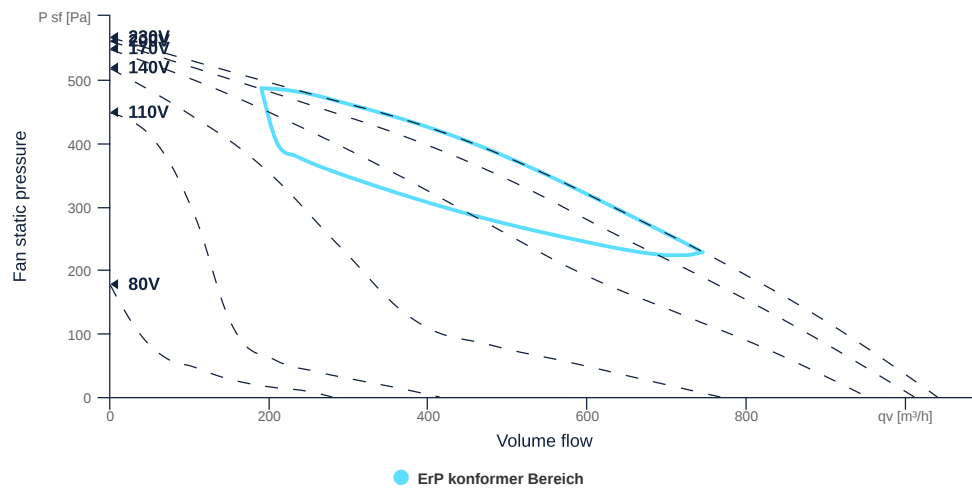
136395

- Compact radial fan
- Backward curved impeller
- Sheet steel housing, RAL 7035, powder coated
- Robust single phase AC motor, steplessly controllable
- Conveyed medium temperature up to 75 °C in continuous operation
- Integrated thermal switch



MAP

Name	Value	Unit
Volume flow	0	m³/h
Pressure	0	Pa



to the product detail page

RS 200L 10

136395

ruck

GENERAL DATA

Name	Value	Unit	Formula symbol
Labeling	CE, UKCA		
Duct size	-		WxH _{duct}
Pipe connection size (DN)	DN200		DN
Rated voltage (entire device)	230	V	U _{rated}
Phases (entire device)	1~		phase
Electrical protection (entire device)	6 A		fuse
Housing material	Steel		mat _{casing}
Impeller material	Plastic		mat _{impeller}
IP-protection class (entire device)	IPX4		IP _{compl}
IP-Protection class (terminal box)	IP44		IP _{ebox}
Weight	5.1	kg	m
Nominal air flow rate, nominal point m ³ /h	673.2	m ³ /h	Q _{v,nom}
Nominal external pressure, static	269	Pa	ps, _{nom}
Fan type	Radial		Fan _{type}
Category / Installation situation	C		cat

ERP DATA (LOT 6)

Name	Value	Unit	Formula symbol
Nominal air flow rate, nominal point m ³ /s	0.19	m ³ /s	Q _{v,nom}
Actual electrical input power, nominal point	0.15	kW	Pe, _{nom}
Face velocity, nominal point	5.94	m/s	V _{nom}
Nominal external pressure, static	269	Pa	ps, _{nom}
supply air fan static efficiency, nominal point	43.3	%	η _{es,SUP}
Enclosure sound level, nominal point	63	dB(A)	LWA ₂
Rating	Product is compliant 2018		



MAXIMAL DATA

Name	Value		Unit	Formula symbol
	50 Hz	60 Hz		
Max. power consumption (device)	154	228	W	P _{ed, max}
Max. operating current (device)	0.88	1.06	A	I _{ed, max}
Max. speed	2910	3430	1/min	n _{max}
Max. stat. efficiency	33.8	32.2	%	η _{es}
Max. fan efficiency	34.9	33	%	η _e
Max. flowrate	1040	1190	m ³ /h	Q _{v, max}
Max. stat pressure	560	785	Pa	p _{st, max}
Max. medium temperature	75	40	°C	T _{m, max}
Max. environment temperature	75	40	°C	T _{amb, max}
Min. environment temperature	-25	-25	°C	T _{amb, min}
Min. voltage	80	80	V	U _{min}

MOTOR DATA

Name	Value		Unit	Formula symbol
	50 Hz	60 Hz		
Rated frequency (device)		50		f
Motor type		AC 1~		phase
Control type		stepless-controlled		ctrltype
Installation type		ORM (Out)		install
Rotation direction		right		rotation
Isolation class		ISO F		ISOclass
Motor-protection		TMI		protectmotor
Protection class		IP33		IP _{motor}
Is pole-changeable		No		polexch
Type of power supply		AC 1~		pwrSUP _{motor}
Capacity capacitor		5	μF	C _{cond}
Voltage capacitor		400	V	VU _{cond}
Number of poles (1)		2.000000		num poles _{w1}
Rated voltage	230		V	U _{rated, f1}
Rated current	0.7		A	I _{rated, f1}
Speed	2685		1/min	n _{f1}
Min. temperature	-30		°C	T _{motor, min}
UL-Certification motor		None		ULcert



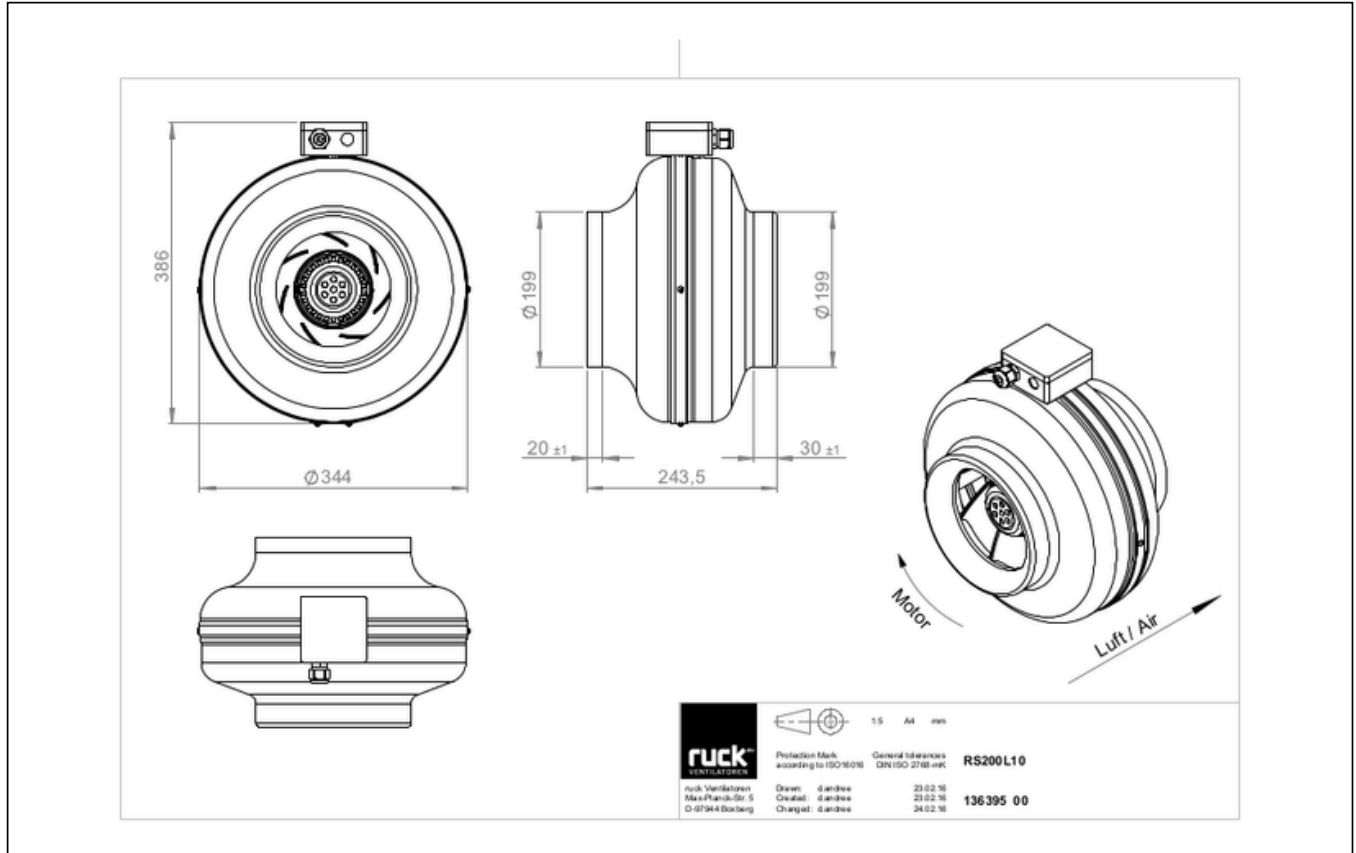
to the product detail page

RS 200L 10

136395

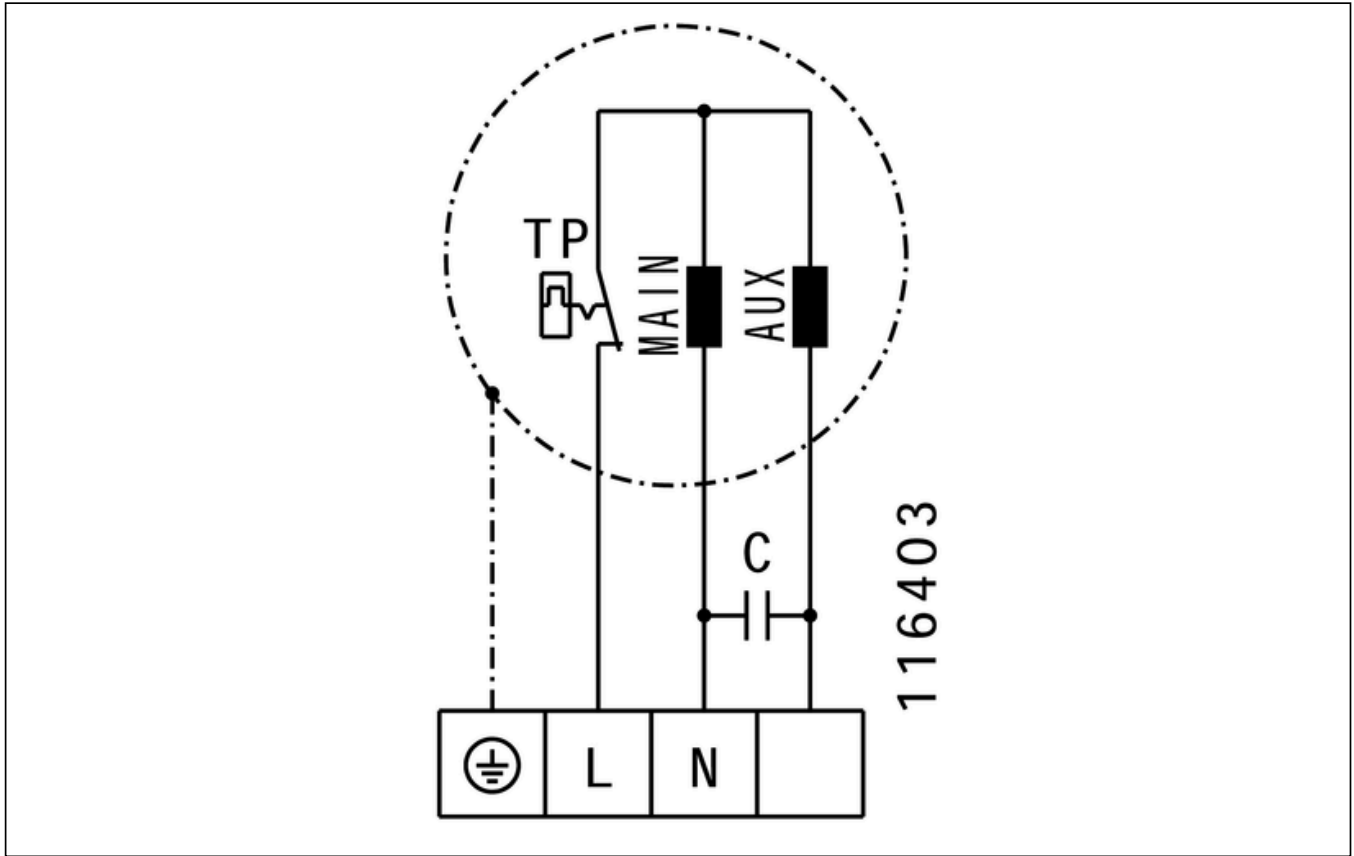


CIRCUIT DIAGRAMS / DIMENSIONAL DRAWINGS



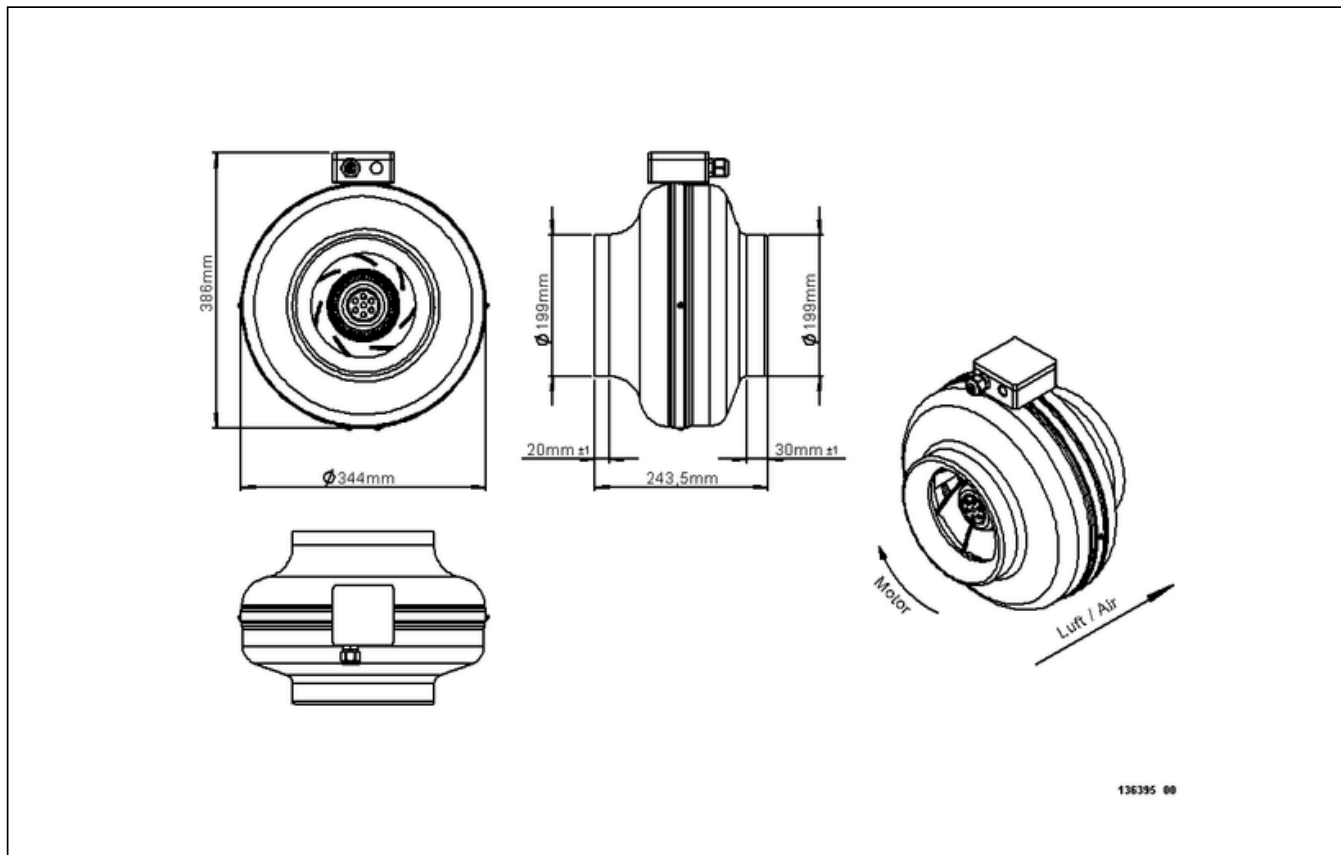
RS 200L 10

136395



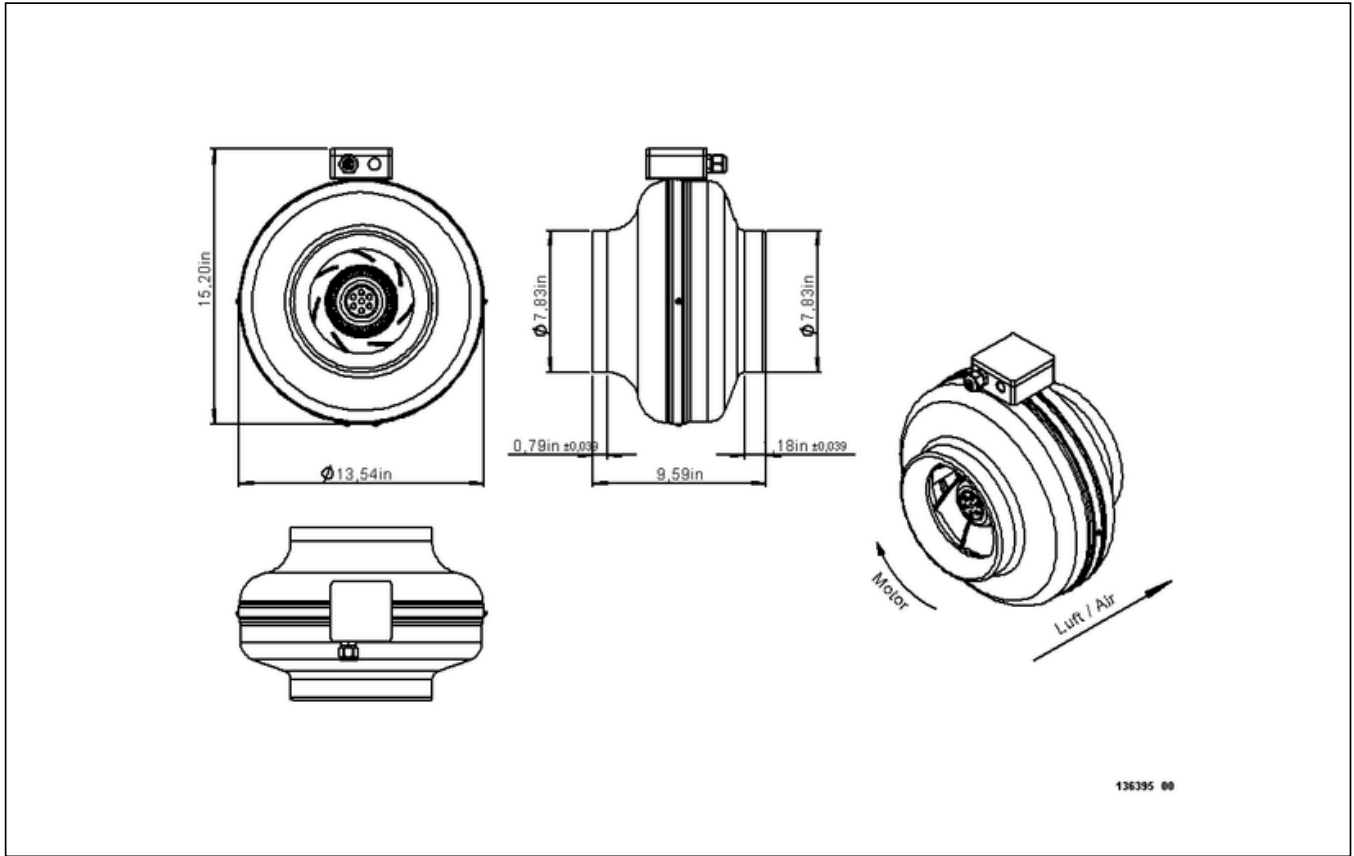
RS 200L 10

136395



RS 200L 10

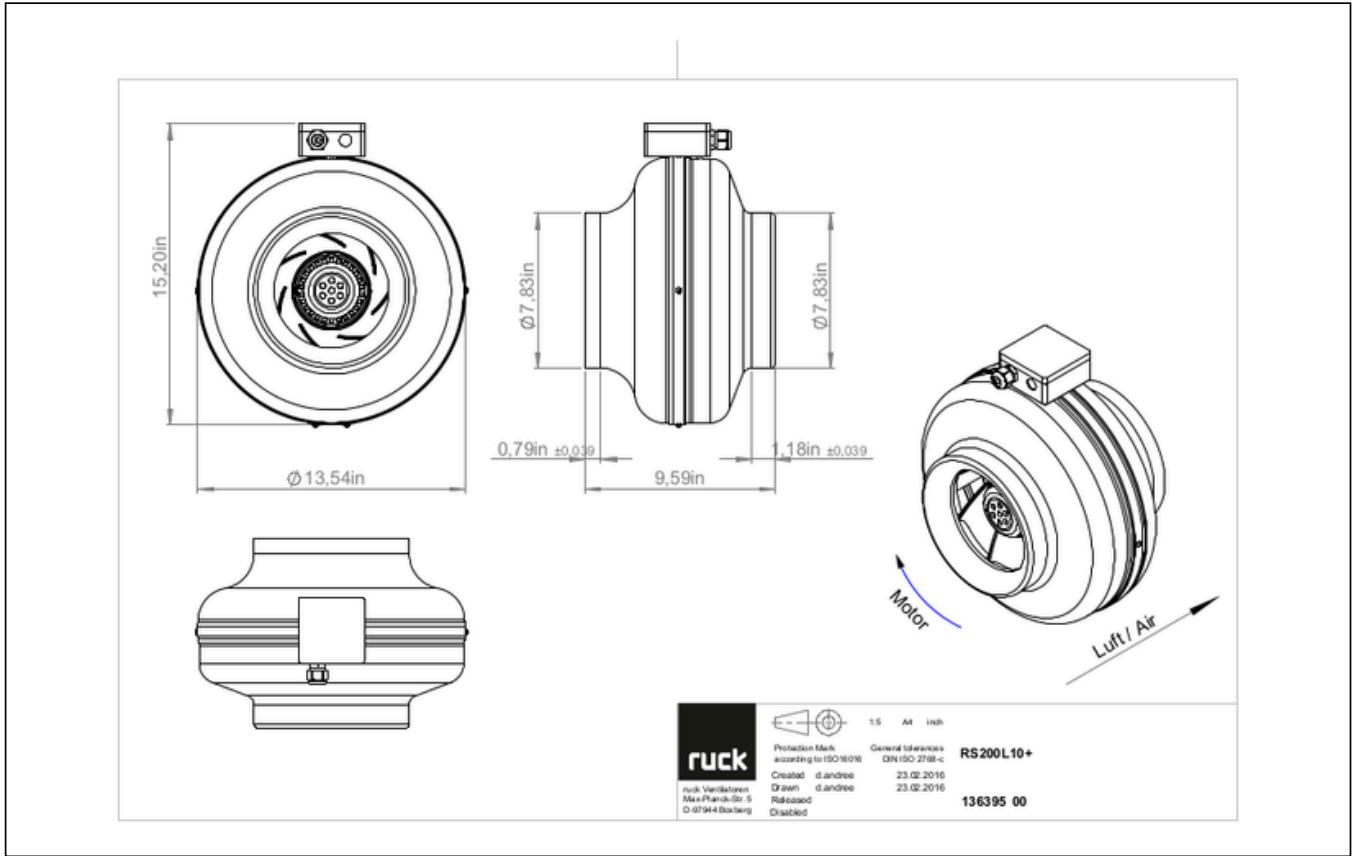
136395



RS 200L 10

136395

ruck

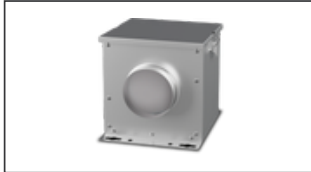


RS 200L 10

136395

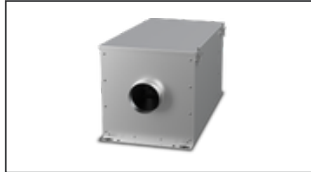
MECHANICAL ACCESSORIES

FV 200 | 112832



- Air filter box with mat filter ISO Coarse 45 % (G3)
- Toggle-type fastener

FT 200 | 112840



- Air filter box for pocket filter
- Toggle-type fastener
- Galvanized steel sheet housing
- Without filter

FTW 200 | 112853



- Air filter box with pocket filter M5
- Integrated warm water heating coil
- Galvanized steel sheet housing
- Toggle-type fastener

RSK 200 | 102662



- Back draught shutter for tube fitting
- Galvanized steel sheet housing
- Aluminum flaps

RSK 200D | 113487



- Back draught shutter for tube fitting
- Galvanized steel sheet housing
- Aluminum flaps
- Integrated gasket

VM 200 | 102650



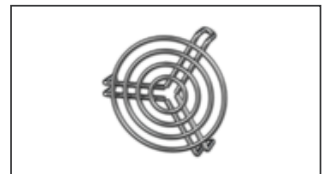
- Fast clamps for sound decoupling and sealing
- Galvanized steel sheet, 5 mm
- Neopren gasket
- 1 Pack = 2 pieces

MRS 2 | 110095



- Mounting bracket
- Galvanized steel sheet
- Includes: Mounting bracket and 2 Phillips screws (6 x 45 mm), 2 dowels (8 x 40 mm)

SG 200 01 | 102898



- Protection grille for tube connection
- Galvanized wire

SDS 200 | 102719



- Rigid tube silencer
- Galvanized steel sheet
- Sound insulation packing 50 mm (mineral wool)

SDF 200 | 102704



- Flexible tube silencer
- Galvanized steel sheet
- Sound insulation packing 50 mm



to the product detail page

RS 200L 10

136395

ELECTRICAL ACCESSORIES

GS 01 | 102787



- Isolator switch
- $U_{max} = 400\text{ V}$, 50/60 Hz
- Switching capacity 400 V 3~ = 5,5 kW
- $I_{max} = 16\text{ A}$

MTY 1 | 103428



- Electronic controller
- Stepless
- 230 V ~, 50 Hz
- Max. ambient temperature 35 °C
- $I_{max} = 1\text{ A}$
- Surface and flush mounting

ETY 15 | 115891



- Electronic controller
- Stepless speed control
- 230 V ~, 50 Hz, 2,5 A
- Max. ambient temperature 35 °C

TES 0145 | 111858



- Step transformer
- 230 V ~, 50/60 Hz

TEE 015 | 115893



- 5-step transformer
- 230 V ~, 50/60 Hz



to the product detail page