

RS 125L 20

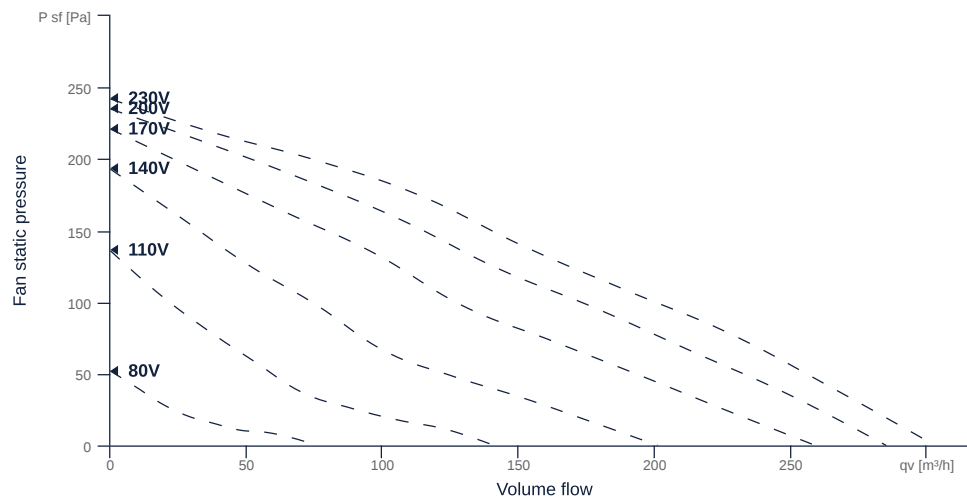
143353

- Compact radial fan
- Backward curved impeller
- Sheet steel housing, RAL 7035, powder coated
- Robust single phase AC motor, steplessly controllable
- Conveyed medium temperature up to 60 °C in continuous operation
- Integrated thermal switch



MAP

Name	Value	Unit
Volume flow	0	m³/h
Pressure	0	Pa



to the product detail page

GENERAL DATA

Name	Value	Unit	Formula symbol
Labeling	CE, UKCA		
Duct size	-		WxH _{duct}
Pipe connection size (DN)	DN125		DN
Rated voltage (entire device)	230	V	U _{rated}
Phases (entire device)	1~		phase
Electrical protection (entire device)	6 A		fuse
Housing material	Steel		mat _{casing}
Impeller material	Plastic		mat _{impeller}
IP-protection class (entire device)	IPX4		IP _{compl}
IP-Protection class (terminal box)	IP44		IP _{ebox}
Weight	2.68	kg	m
Nominal air flow rate, nominal point m ³ /h	158.4	m ³ /h	Q _{v,nom}
Nominal external pressure, static	132	Pa	ps, _{nom}
Fan type	Radial		Fan _{type}
Category / Installation situation	A		cat

ERP DATA (LOT 6)

Name	Value	Unit	Formula symbol
Nominal air flow rate, nominal point m ³ /s	0.04	m ³ /s	Q _{v,nom}
Actual electrical input power, nominal point	0.03	kW	P _{e,nom}
Face velocity, nominal point	3.6	m/s	v _{nom}
Nominal external pressure, static	132	Pa	ps, _{nom}
supply air fan static efficiency, nominal point	20.4	%	η _{es,SUP}
Highest external air leakage rate	1.02	%	
Enclosure sound level, nominal point	45	dB(A)	L _{WA2}
Rating	Product is compliant 2018		



to the product detail page

MAXIMAL DATA

Name	Value		Unit	Formula symbol
	50 Hz	60 Hz		
Max. power consumption (device)	28	34	W	$P_{ed, max}$
Max. operating current (device)	0.23	0.26	A	$I_{ed, max}$
Max. speed	2730	3180	1/min	n_{max}
Max. stat. efficiency	20.3	21.6	%	η_{es}
Max. fan efficiency	21.3	22.8	%	η_e
Max. flowrate	300	340	m ³ /h	Q_v, max
Max. stat pressure	240	330	Pa	$p_{st, max}$
Max. medium temperature	60	60	°C	$T_{m, max}$
Max. environment temperature	60	60	°C	$T_{amb, max}$
Min. environment temperature	-25	-25	°C	$T_{amb, min}$
Min. voltage	80	80	V	U_{min}
Stall current	0.27	0.27	A	I_{LRA}

MOTOR DATA

Name	Value		Unit	Formula symbol
	50 Hz	60 Hz		
Rated frequency (device)		50		f
Motor type		AC 1~		phase
Control type		stepless-controlled		ctrltype
Installation type		ORM (Out)		install
Rotation direction		right		rotation
Isolation class		ISO F		ISOclass
Motor-protection		TAI		protectmotor
Protection class		IP33		IPmotor
Is pole-changeable		No		polexch
Type of power supply		AC 1~		pwrsupmotor
Capacity capacitor		1.5	µF	C_{cond}
Voltage capacitor		400	V	V_{Ucond}
Number of poles (1)		2.000000		num polesw1
Rated voltage	230		V	$U_{rated, f1}$
Rated current	0.17		A	$I_{rated, f1}$
Shaft power	30		W	$P_{out, f1}$
Speed	2673		1/min	n_{f1}
Min. temperature	-30		°C	$T_{motor, min}$
Cos Phi	0.870000	0.000000		$\cos \varphi$
UL-Certification motor		None		ULcert



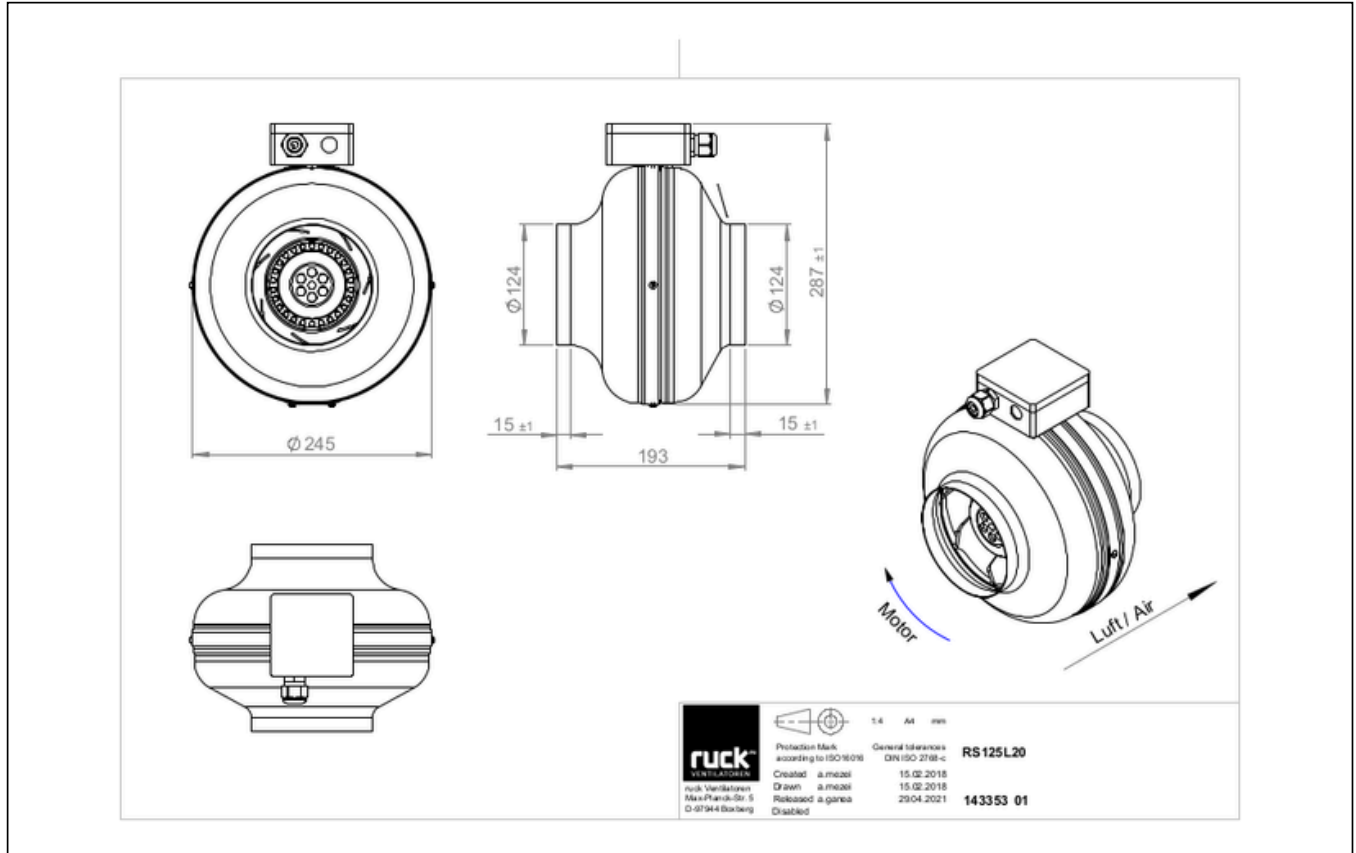
to the product detail page

RS 125L 20

143353

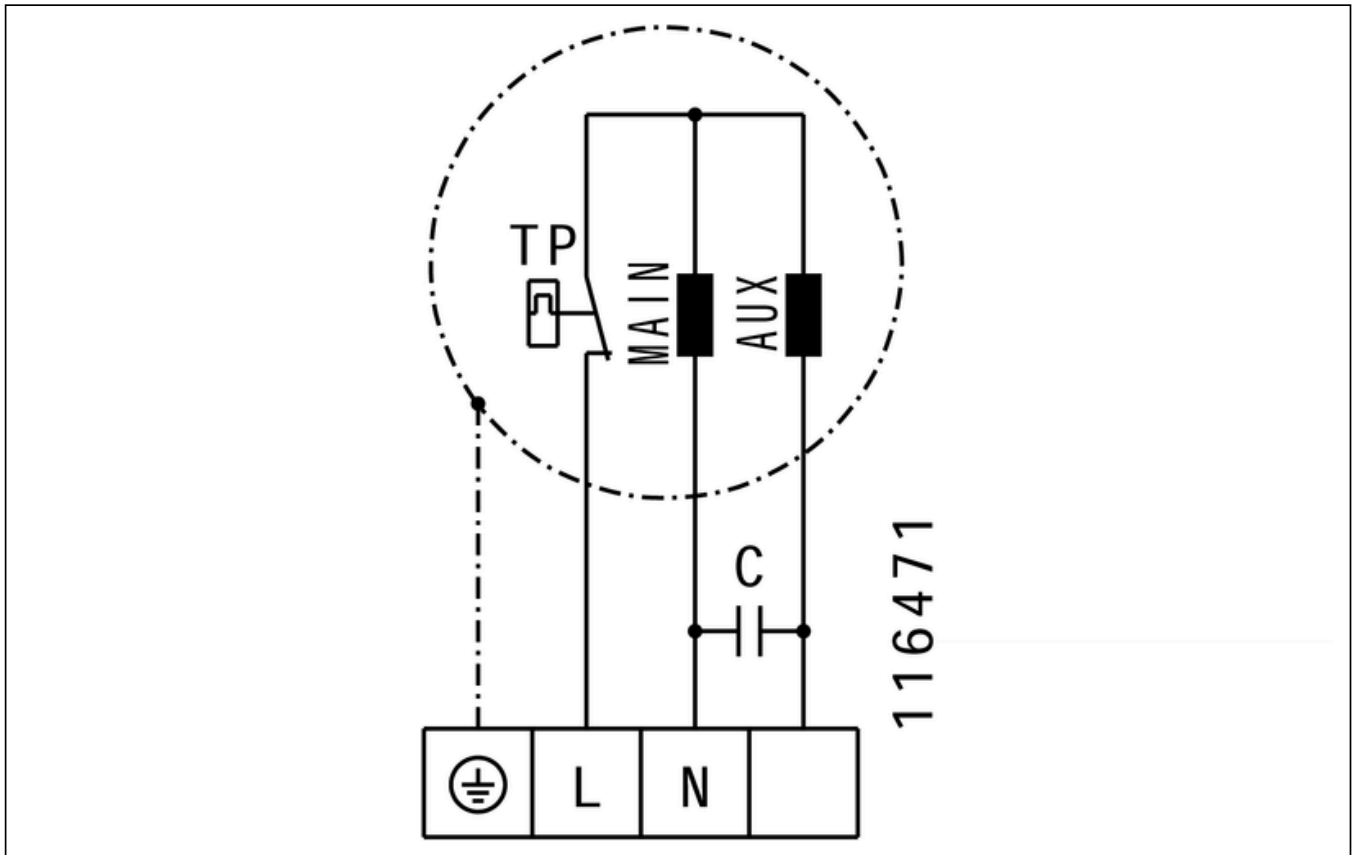


CIRCUIT DIAGRAMS / DIMENSIONAL DRAWINGS



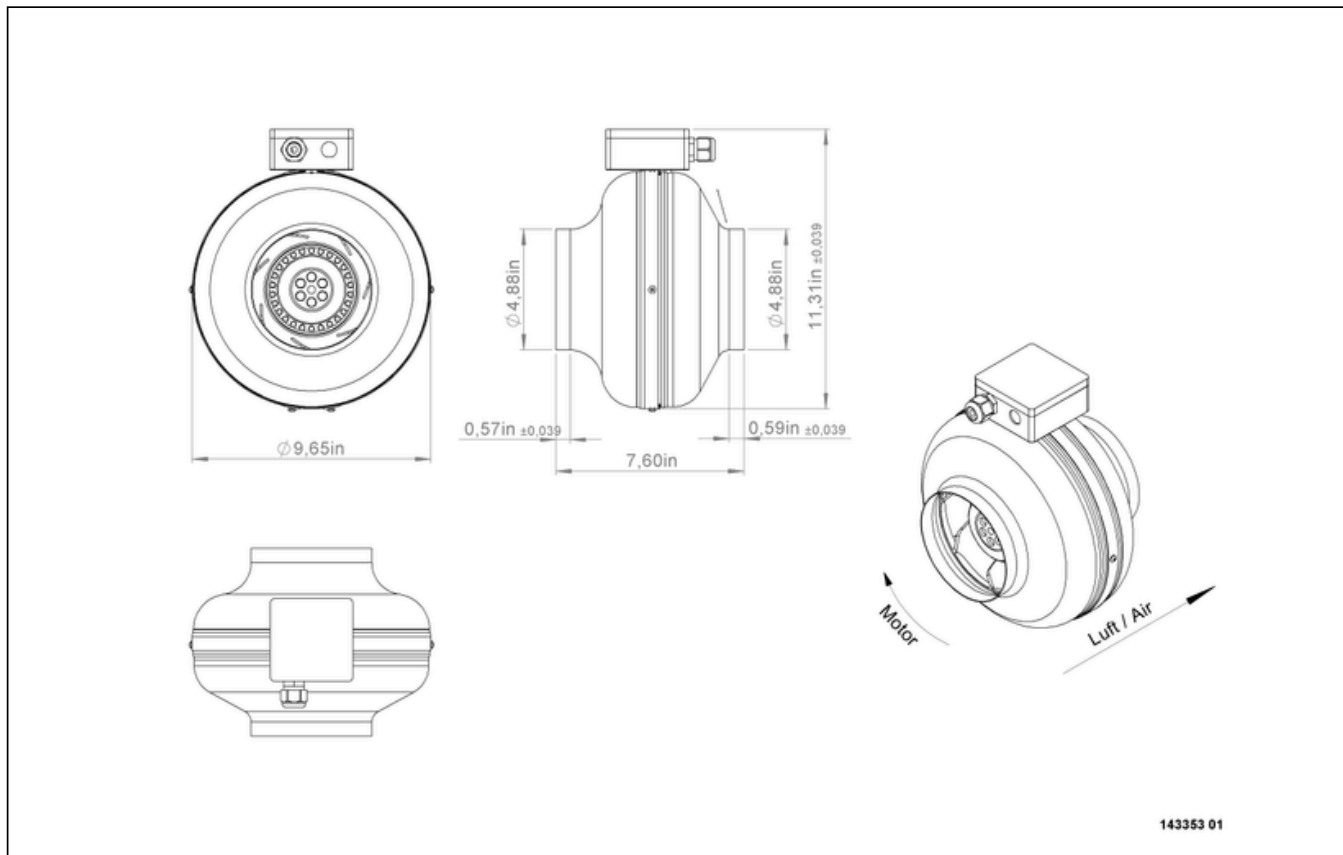
RS 125L 20

143353



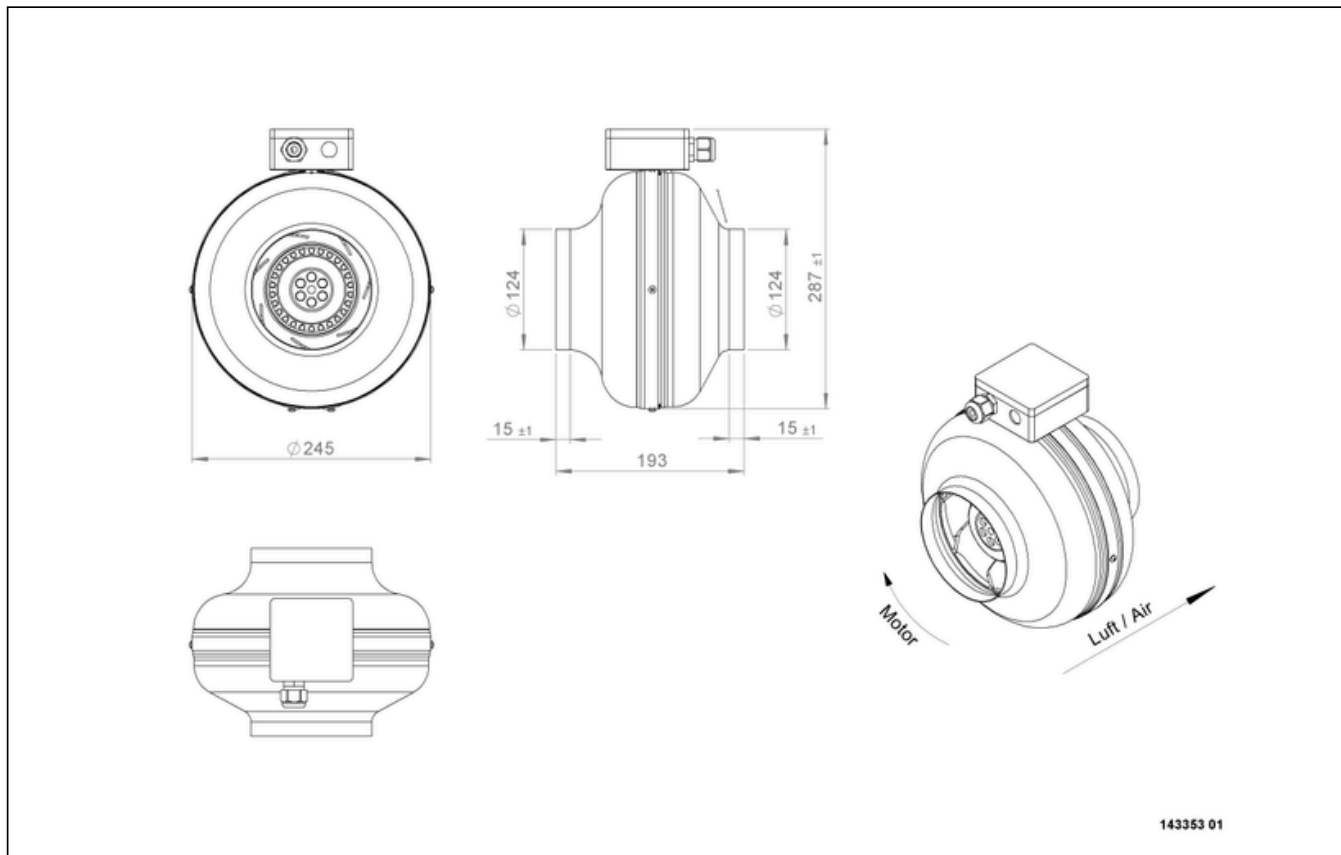
RS 125L 20

143353



RS 125L 20

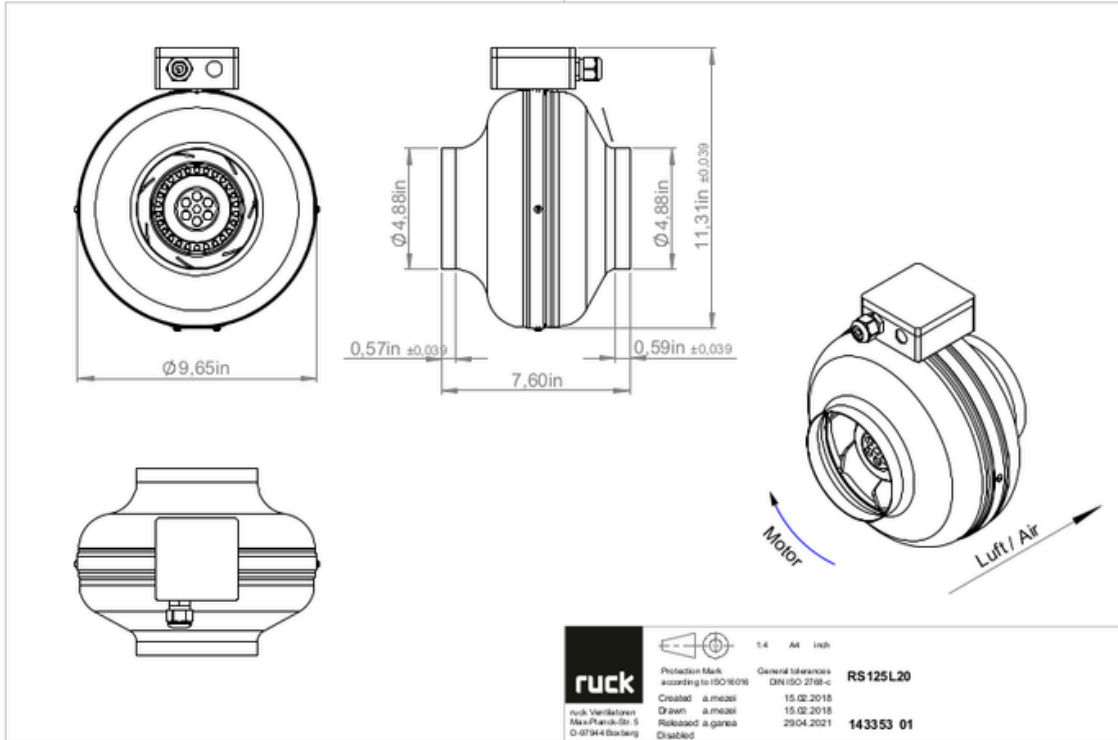
143353



RS 125L 20

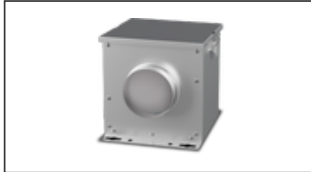
143353

ruck



MECHANICAL ACCESSORIES

FV 125 | 112679



- Air filter box with mat filter ISO Coarse 45 % (G3)
- Toggle-type fastener

FT 125 | 112843



- Air filter box for pocket filter
- Toggle-type fastener
- Galvanized steel sheet housing
- Without filter

FTW 125 | 112850



- Air filter box with pocket filter M5
- Integrated warm water heating coil
- Galvanized steel sheet housing
- Toggle-type fastener

RSK 125 | 102179



- Back draught shutter for tube fitting
- Galvanized steel sheet housing
- Aluminum flaps

SG 125 01 | 102895



- Protection grille for tube connection
- Galvanized wire

SDF 125 | 102700



- Flexible tube silencer
- Galvanized steel sheet
- Sound insulation packing 50 mm

SDS 125 | 102712



- Rigid tube silencer
- Galvanized steel sheet
- Sound insulation packing 50 mm (mineral wool)

MRS 1 | 110094



- Mounting bracket
- Galvanized steel sheet
- Includes: Mounting bracket and 2 Phillips screws (6 x 45 mm), 2 dowels (8 x 40 mm)

VM 125 | 102647



- Fast clamps for sound decoupling and sealing
- Galvanized steel sheet, 5 mm
- Neopren gasket
- 1 Pack = 2 pieces

RSK 125D | 113483



- Back draught shutter for tube fitting
- Galvanized steel sheet housing
- Aluminum flaps
- Integrated gasket



RS 125L 20

143353

ELECTRICAL ACCESSORIES

GS 01 | 102787



- Isolator switch
- $U_{max} = 400\text{ V}$, 50/60 Hz
- Switching capacity 400 V 3~ = 5,5 kW
- $I_{max} = 16\text{ A}$

MTY 1 | 103428



- Electronic controller
- Stepless
- 230 V ~, 50 Hz
- Max. ambient temperature 35 °C
- $I_{max} = 1\text{ A}$
- Surface and flush mounting

ETY 15 | 115891



- Electronic controller
- Stepless speed control
- 230 V ~, 50 Hz, 2,5 A
- Max. ambient temperature 35 °C

TES 0145 | 111858



- Step transformer
- 230 V ~, 50/60 Hz

TEE 015 | 115893



- 5-step transformer
- 230 V ~, 50/60 Hz



to the product detail page