

RS 100L 20

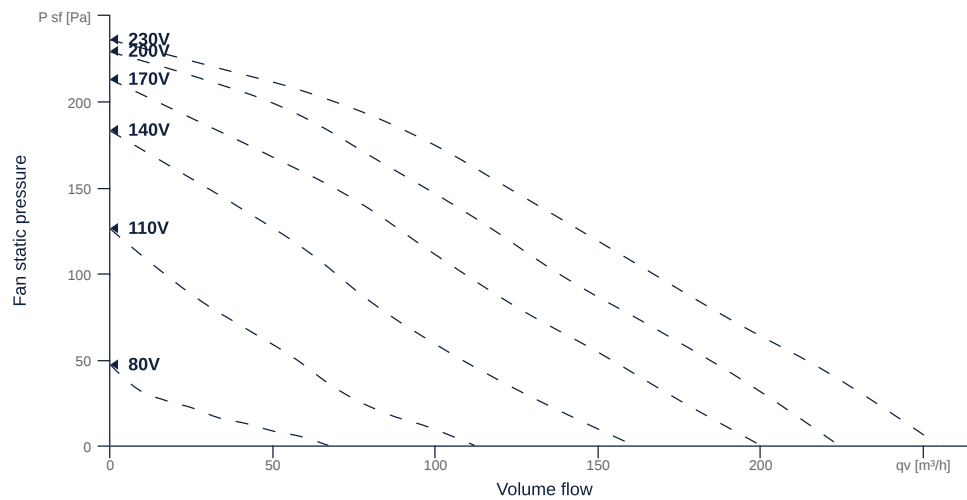
143351

- Compact radial fan
- Backward curved impeller
- Sheet steel housing, RAL 7035, powder coated
- Robust single phase AC motor, steplessly controllable
- Conveyed medium temperature up to 60 °C in continuous operation
- Integrated thermal switch



MAP

Name	Value	Unit
Volume flow	0	m³/h
Pressure	0	Pa



to the product detail page

GENERAL DATA

Name	Value	Unit	Formula symbol
Labeling	CE, UKCA		
Duct size	-		WxH _{duct}
Pipe connection size (DN)	DN100		DN
Rated voltage (entire device)	230	V	U _{rated}
Phases (entire device)	1~		phase
Electrical protection (entire device)	6 A		fuse
Housing material	Steel		mat _{casing}
Impeller material	Plastic		mat _{impeller}
IP-protection class (entire device)	IPX4		IP _{compl}
IP-Protection class (terminal box)	IP44		IP _{ebox}
Weight	2.77	kg	m
Nominal air flow rate, nominal point m ³ /h	90	m ³ /h	Q _{v,nom}
Nominal external pressure, static	155	Pa	ps, _{nom}
Fan type	Radial		Fan _{type}
Category / Installation situation	A		cat

ERP DATA (LOT 6)

Name	Value	Unit	Formula symbol
Nominal air flow rate, nominal point m ³ /s	0.03	m ³ /s	Q _{v,nom}
Actual electrical input power, nominal point	0.02	kW	P _{e,nom}
Face velocity, nominal point	3.2	m/s	v _{nom}
Nominal external pressure, static	155	Pa	ps, _{nom}
supply air fan static efficiency, nominal point	17.8	%	η _{es,SUP}
Highest external air leakage rate	2.44	%	
Enclosure sound level, nominal point	48	dB(A)	L _{WA2}
Rating	Product is compliant 2018		



to the product detail page

RS 100L 20

143351

ruck

MAXIMAL DATA

Name	Value		Unit	Formula symbol
	50 Hz	60 Hz		
Max. power consumption (device)	28	34	W	$P_{ed, max}$
Max. operating current (device)	0.23	0.26	A	$I_{ed, max}$
Max. speed	2710	3150	1/min	n_{max}
Max. stat. efficiency	17.6	18.6	%	η_{es}
Max. fan efficiency	19.2	19.8	%	η_e
Max. flowrate	250	260	m ³ /h	Q_v, max
Max. stat pressure	235	320	Pa	$p_{st, max}$
Max. medium temperature	60	60	°C	$T_{m, max}$
Max. environment temperature	60	60	°C	$T_{amb, max}$
Min. environment temperature	-25	-25	°C	$T_{amb, min}$
Min. voltage	80	80	V	U_{min}
Stall current	0.27	0.27	A	I_{LRA}

MOTOR DATA

Name	Value		Unit	Formula symbol
	50 Hz	60 Hz		
Rated frequency (device)		50		f
Motor type		AC 1~		phase
Control type		stepless-controlled		ctrltype
Installation type		ORM (Out)		install
Rotation direction		right		rotation
Isolation class		ISO F		ISOclass
Motor-protection		TAI		protectmotor
Protection class		IP33		IPmotor
Is pole-changeable		No		polexch
Type of power supply		AC 1~		pwrsupmotor
Capacity capacitor		1.5	µF	C_{cond}
Voltage capacitor		400	V	V_{Ucond}
Number of poles (1)		2.000000		num polesw1
Rated voltage	230		V	$U_{rated, f1}$
Rated current	0.17		A	$I_{rated, f1}$
Shaft power	30		W	$P_{out, f1}$
Speed	2673		1/min	n_{f1}
Min. temperature	-30		°C	$T_{motor, min}$
Cos Phi	0.870000	0.000000		$\cos \varphi$
UL-Certification motor		None		ULcert

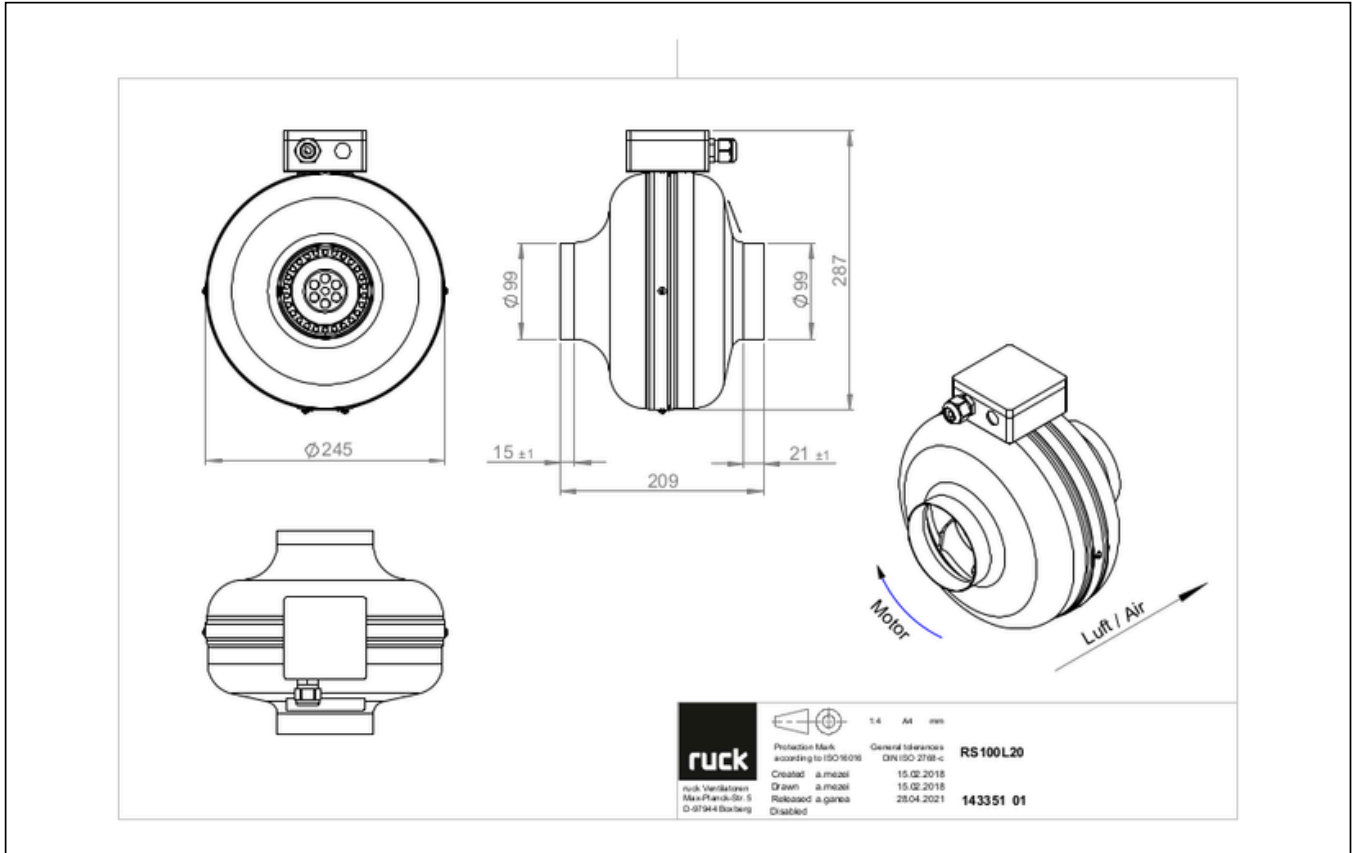


to the product detail page

RS 100L 20

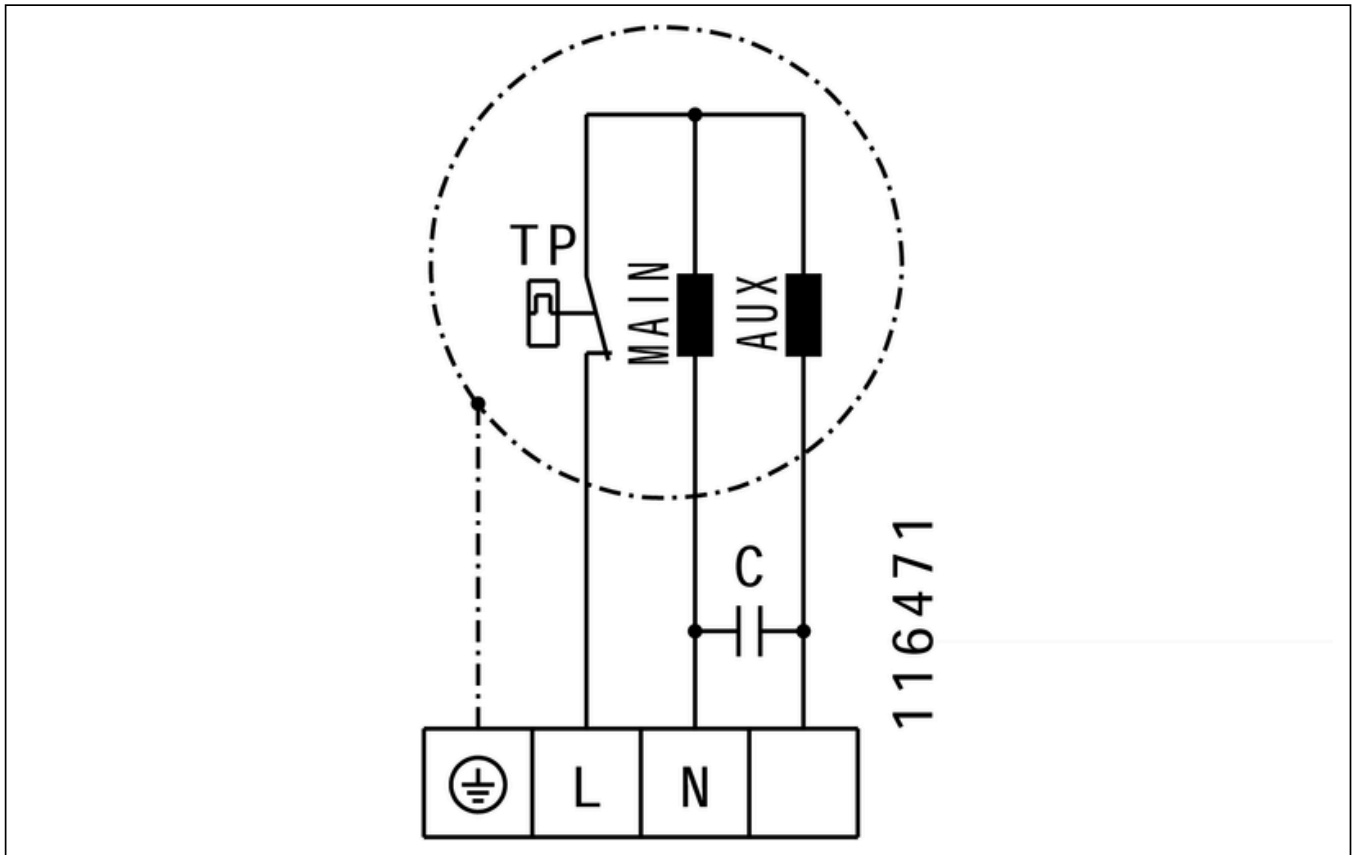
143351

CIRCUIT DIAGRAMS / DIMENSIONAL DRAWINGS



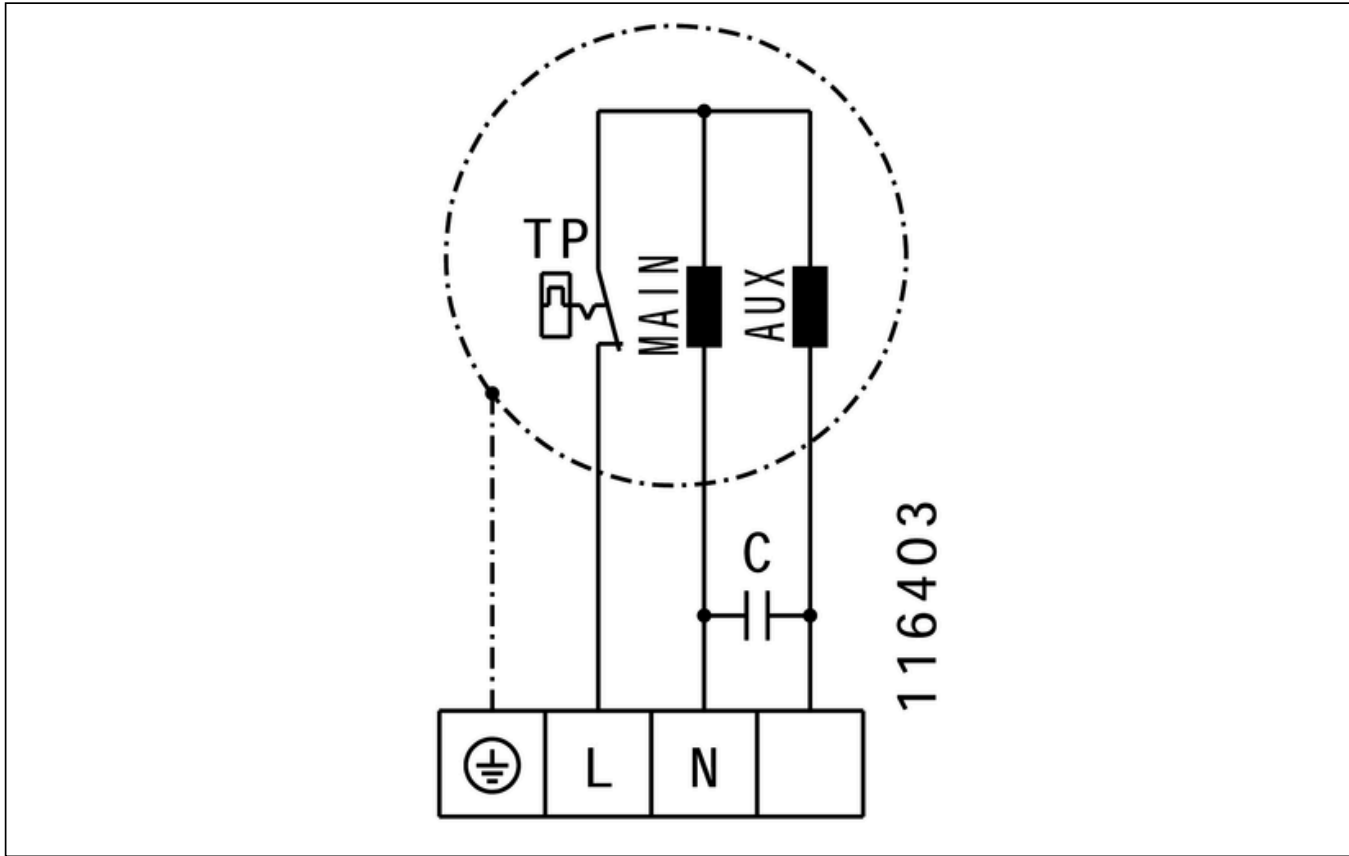
RS 100L 20

143351



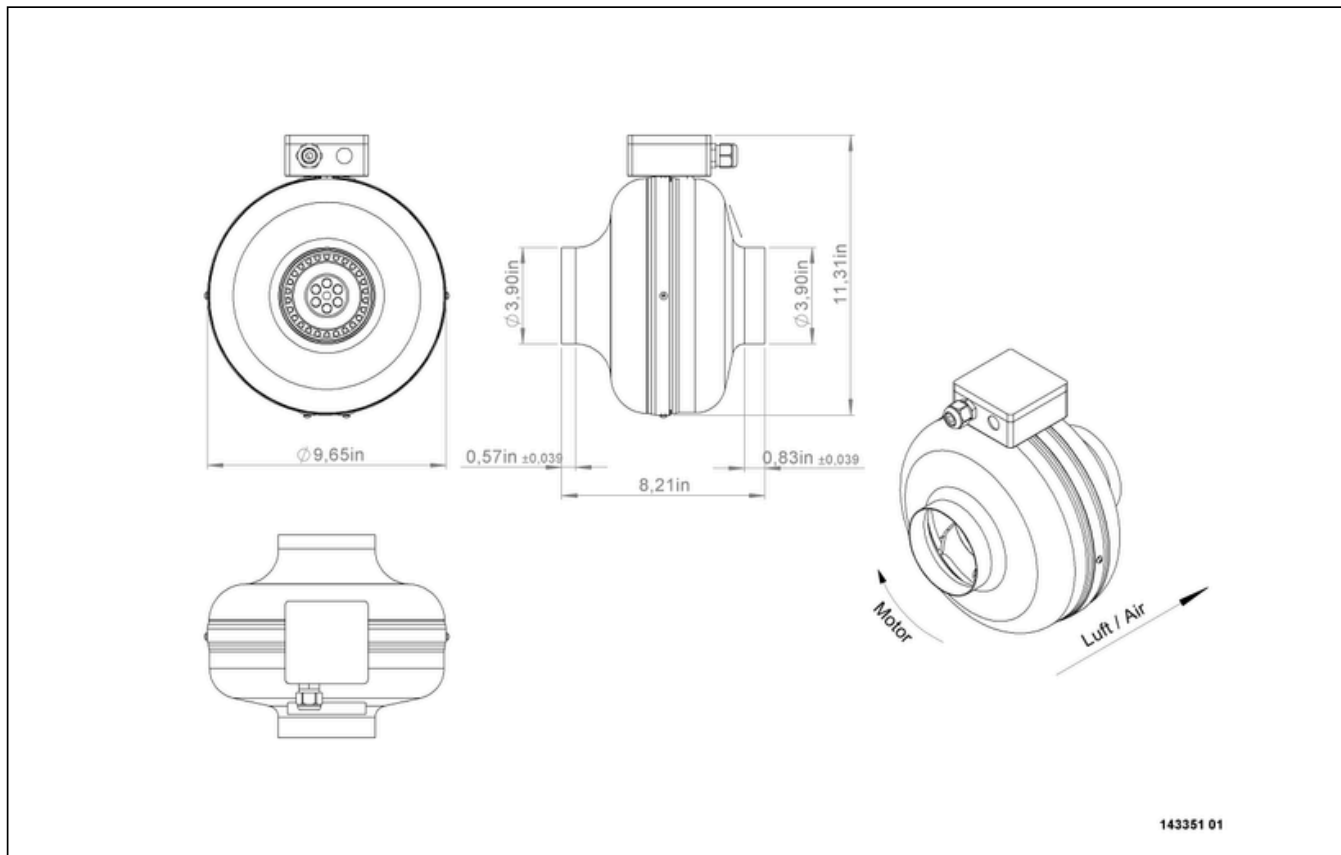
RS 100L 20

143351



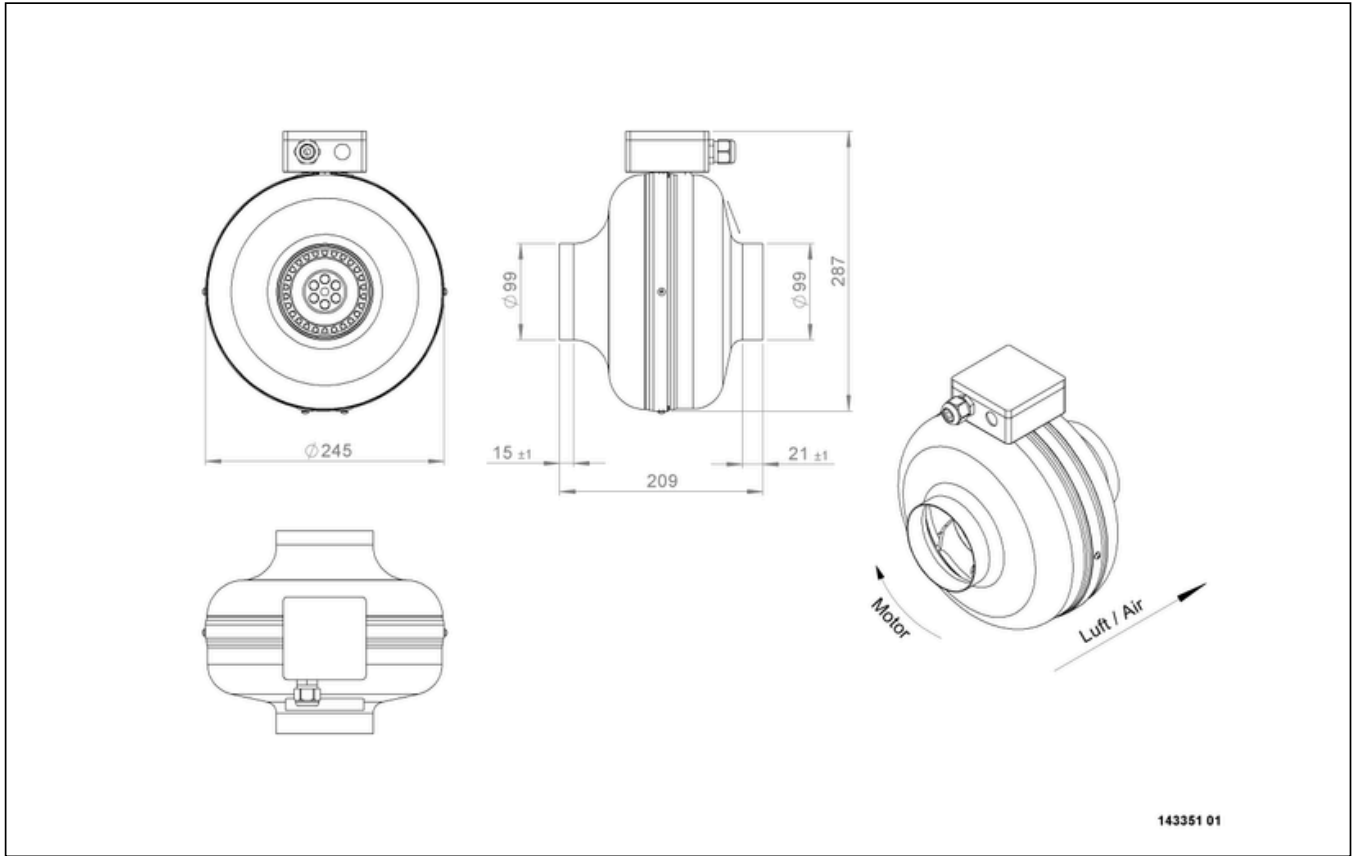
RS 100L 20

143351



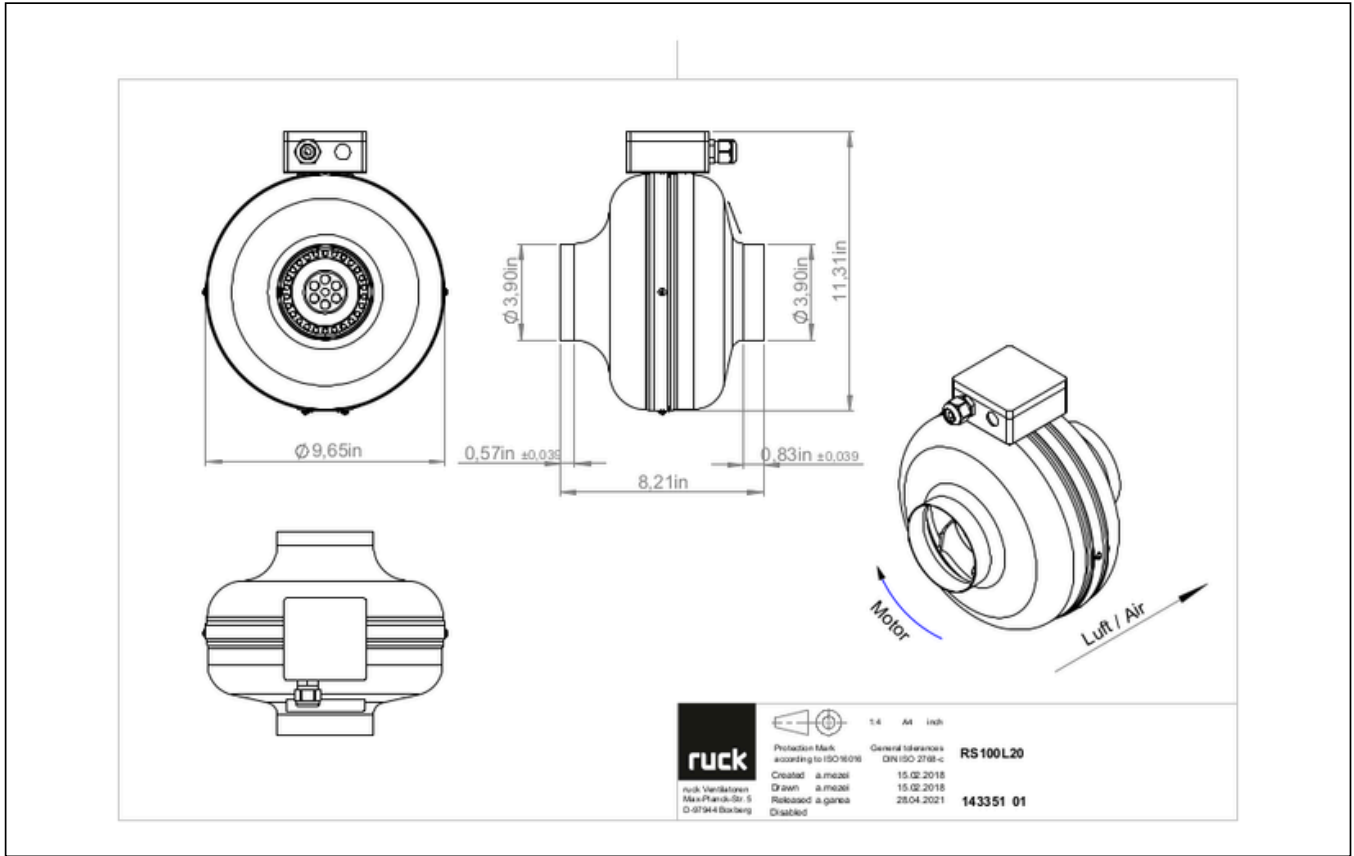
RS 100L 20

143351



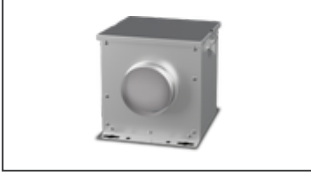
RS 100L 20

143351



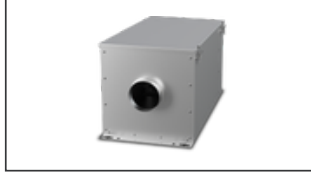
MECHANICAL ACCESSORIES

FV 100 | 112678



- Air filter box with mat filter ISO Coarse 45 % (G3)
- Toggle-type fastener

FT 100 | 112844



- Air filter box for pocket filter
- Toggle-type fastener
- Galvanized steel sheet housing
- Without filter

FTW 100 | 112849



- Air filter box with pocket filter M5
- Integrated warm water heating coil
- Galvanized steel sheet housing
- Toggle-type fastener

RSK 100 | 102658



- Back draught shutter for tube fitting
- Galvanized steel sheet housing
- Aluminum flaps

RSK 100D | 116061



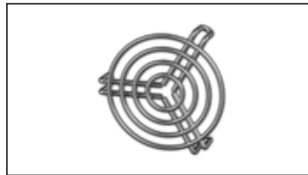
- Back draught shutter for tube fitting
- Galvanized steel sheet housing
- Aluminum flaps
- Integrated gasket

VM 100 | 102643



- Fast clamps for sound decoupling and sealing
- Galvanized steel sheet, 5 mm
- Neopren gasket
- 1 Pack = 2 pieces

SG 100 01 | 102894



- Protection grille for tube connection
- Galvanized wire

SDS 100 | 102709



- Rigid tube silencer
- Galvanized steel sheet
- Sound insulation packing 50 mm (mineral wool)

SDF 100 | 102699



- Flexible tube silencer
- Galvanized steel sheet
- Sound insulation packing 50 mm

MRS 1 | 110094



- Mounting bracket
- Galvanized steel sheet
- Includes: Mounting bracket and 2 Phillips screws (6 x 45 mm), 2 dowels (8 x 40 mm)



RS 100L 20

143351

ELECTRICAL ACCESSORIES

GS 01 | 102787



- Isolator switch
- $U_{max} = 400\text{ V}$, 50/60 Hz
- Switching capacity 400 V 3~ = 5,5 kW
- $I_{max} = 16\text{ A}$

MTY 1 | 103428



- Electronic controller
- Stepless
- 230 V ~, 50 Hz
- Max. ambient temperature 35 °C
- $I_{max} = 1\text{ A}$
- Surface and flush mounting

ETY 15 | 115891



- Electronic controller
- Stepless speed control
- 230 V ~, 50 Hz, 2,5 A
- Max. ambient temperature 35 °C

TES 0145 | 111858



- Step transformer
- 230 V ~, 50/60 Hz

TEE 015 | 115893



- 5-step transformer
- 230 V ~, 50/60 Hz



to the product detail page