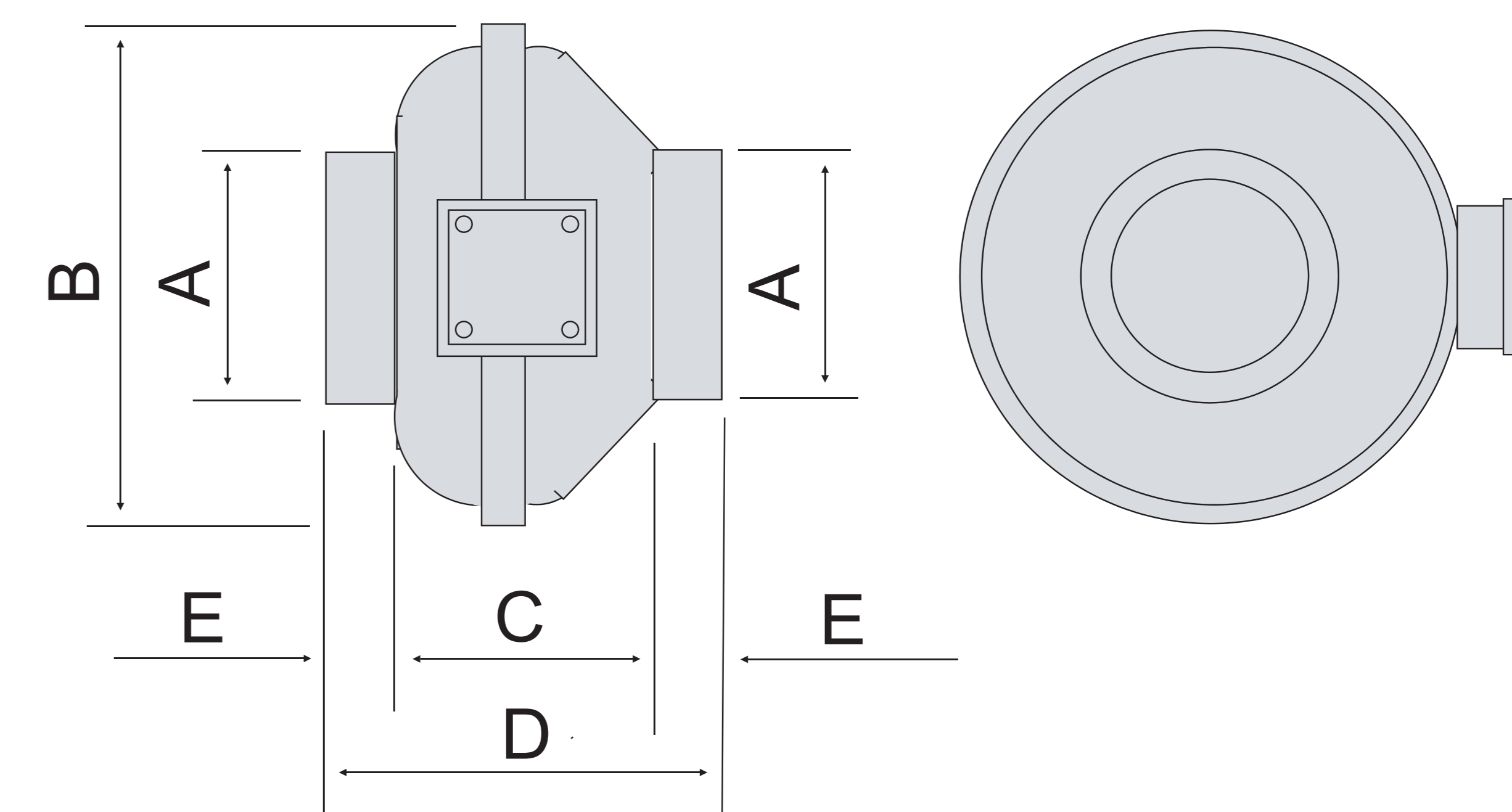




SPECIFICATION

- Casing**
Galvanised sheet steel. With inlet and outlet spigots.
- Impeller**
Backward curved centrifugal. Temperatures of -30 to +60 °C.
- Motor**
Low noise external rotor motor with two speeds (except RR 100 A) and ball bearings.
- Motor protection**
Thermal contacts wired in series as standard.
- Terminal box**
All terminal boxes are mounted on the casing and IP 55.
- Speed control**
All fans are two speed and all models are speed controllable using the controllers below.
- Installation**
Installation in any position.
- Sound levels**
Sound levels are given below.
- Protection**
Splashproof to IP 44.



ANCILLARIES

Fan nominal size in mm	Pipe Clamps (pair)	Foot	Guard	Backdraught butterfly shutter	In-line filter box G4	In-line filter box F7	Electric heater single phase (EHR-R kW/dia)	Electric heater with pulser control (dia/kW)	Silencer (SRSD dia/length)	Fan nominal size in mm	Dimensions in mm				
											A	B	C	D	E
100 A	BM 100	MK 2	SGR 100	RSKK 100	LFBR 100 G4	LFBR 100 F7	EHR-R 1/100	CV 10/04/1	SRSD 100/600	100 A	100	242	150	198	24
100 C	BM 100	MK 2	SGR 100	RSKK 100	LFBR 100 G4	LFBR 100 F7	EHR-R 1/100	CV 10/04/1	SRSD 100/600	100 C	100	242	150	198	24
125 C	BM 125	MK 2	SGR 125	RSKK 125	LFBR 125 G4	LFBR 125 F7	EHR-R 1.5/125	CV 12/12/1	SRSD 125/600	125 C	125	242	150	198	24
150 B	BM 150	MK 2	SGR 160	RSK 160	LFBR 160 G4	LFBR 160 F7	EHR-R 2.5/150	CV 12/12/1	SRSD 150/600	150 B	150	272	142	198	28
150 C	BM 150	MK 2	SGR 160	RSK 160	LFBR 160 G4	LFBR 160 F7	EHR-R 2.5/150	CV 16/09/1	SRSD 150/600	150 C	150	344	174	230	28
160 B	BM 160	MK 2	SGR 160	RSK 160	LFBR 160 G4	LFBR 160 F7	EHR-R 2.4/160	CV 16/09/1	SRSD 160/600	160 B	160	272	135	195	30
160 C	BM 160	MK 2	SGR 160	RSK 160	LFBR 160 G4	LFBR 160 F7	EHR-R 2.4/160	CV 16/09/1	SRSD 160/600	160 C	160	344	170	230	30
200 A	BM 200	MK 2	SGR 200	RSK 200	LFBR 200 G4	LFBR 200 F7	EHR-R 5/200	CV 20/21/1	SRSD 200/600	200 A	200	344	179	235	28
200 C	BM 200	MK 2	SGR 200	RSK 200	LFBR 200 G4	LFBR 200 F7	EHR-R 5/200	CV 20/21/1	SRSD 200/600	200 B	200	344	179	235	28
250 A	BM 250	MK 2	SGR 250	RSK 250	LFBR 250 G4	LFBR 250 F7	EHR-R 6/250	CV 25/30/1	SRSD 250/600	250 A	250	344	170	230	30
250 C	BM 250	MK 2	SGR 250	RSK 250	LFBR 250 G4	LFBR 250 F7	EHR-R 6/250	CV 25/30/1	SRSD 250/600	250 C	250	344	170	230	30
315 A	BM 315	MK 3	SGR 315	RSK 315	LFBR 315 G4	LFBR 315 F7	EHR-R 8/315	CV 31/54/1	SRSD 315/600	315 A	315	402	189	257	34
315 C	BM 315	MK 3	SGR 315	RSK 315	LFBR 315 G4	LFBR 315 F7	EHR-R 8/315	CV 31/54/1	SRSD 315/600	315 C	315	402	189	257	34



Steel In-Line centrifugal fans 100 to 315 mm diameter

Hotline:
01206 228 500



Single phase models 230 V / 1 ph. / 50 Hz

SELECTION DATA

Fan code	Speed high / low rpm	Volume flow m ³ /s against static pressure Pa. at high speed												Motor power Watts	Current Amps	Max. air flow temperature +°C	Speed controller		Weight kg	Sound level @ 4 m dB(A)
		0	50	100	150	200	250	300	400	450	500	600	700				Transformer	Electronic		
RR 100 A	1730	0.069	0.056	0.043	0.035	0.026	0.018	0.008						41	0.18	80	TSW 0.3	ESA 1	2.9	46
RR 100 C	2530/1265	0.092	0.075	0.068	0.056	0.043	0.031	0.019						62/49	0.27/0.22	70	TSW 0.3	ESA 1	2.9	50
RR 125 C	2480/1240	0.133	0.117	0.097	0.074	0.051	0.036	0.021						62/47	0.27/0.21	70	TSW 0.3	ESA 1	2.9	50
RR 150 B	2540/1270	0.147	0.131	0.107	0.086	0.068	0.049	0.028						62/49	0.27/0.22	70	TSW 0.3	ESA 1	3.2	49
RR 150 C	2480/1240	0.242	0.224	0.201	0.171	0.136	0.111	0.089						101/66	0.44/0.29	65	TSW 1.5	ESA 1	4.3	53
RR 160 B	2540/1270	0.147	0.131	0.107	0.086	0.068	0.049	0.028						62/49	0.27/0.22	70	TSW 0.3	ESA 1	3.2	49
RR 160 C	2480/1240	0.242	0.224	0.201	0.171	0.136	0.111	0.089						101/66	0.44/0.29	65	TSW 1.5	ESA 1	4.3	53
RR 200 A	2580/1290	0.258	0.238	0.219	0.200	0.175	0.146	0.108	0.039					115/94	0.51/0.44	60	TSW 1.5	ESA 1	4.6	52
RR 200 B	2500/1250	0.294	0.276	0.258	0.235	0.208	0.178	0.147	0.090	0.061	0.035			165/105	0.71/0.48	60	TSW 1.5	ESA 1	5.1	53
RR 250 A	2580/1290	0.258	0.235	0.213	0.189	0.165	0.138	0.106						115/95	0.50/0.44	60	TSW 1.5	ESA 1	4.6	54
RR 250 C	2420/1210	0.314	0.29	0.267	0.244	0.219	0.194	0.167	0.108	0.075	0.040			185/130	0.81/0.59	55	TSW 1.5	ESA 1	5.3	54
RR 315 B	2465/1233	0.392	0.368	0.342	0.317	0.286	0.258	0.222	0.153	0.072				190/129	0.84/0.59	50	TSW 1.5	ESA 1	6.1	54
RR 315 C	2500/1250	0.453	0.433	0.408	0.389	0.361	0.333	0.303	0.242	0.211	0.172	0.100	0.022	274/200	1.19/0.91	50	TSW 1.5	ESA 3	6.5	55