

MANDÍK[®]

MULTI BLADE REGULATION DAMPER

RDM



These Technical Specifications define the range of the manufactured sizes and design of "Multi blade regulation damper RDM (hereinafter referred also shortly as the "dampers")
 These technical Specifications apply to the manufacture, design, ordering, assembly, operation and maintenance.

I. CONTENT

| | |
|---|-----------|
| II. GENERAL INFORMATION | 3 |
| 1. Description..... | 3 |
| 2. Design..... | 4 |
| 3. Basic range, dimensions, weights..... | 5 |
| III. TECHNICAL DATA | 7 |
| 4. Basic parameters..... | 7 |
| 5. Flow characteristic, pressure drop, tightness..... | 8 |
| 6. Noise data..... | 10 |
| 7. Electrical elements, wiring diagram..... | 11 |
| IV. MATERIAL, FINISHING | 18 |
| 8. Material..... | 18 |
| V. INSPECTION, TESTING | 18 |
| 9. Inspection..... | 18 |
| 10. Testing..... | 18 |
| VI. PACKING, TRANSPORT AND STORAGE | 18 |
| 11. Logistic terms..... | 18 |
| VII. ORDERING INFORMATION | 19 |
| 12. List of the most frequently ordered designs..... | 19 |
| 13. Ordering key..... | 19 |

II. GENERAL INFORMATION

1. Description

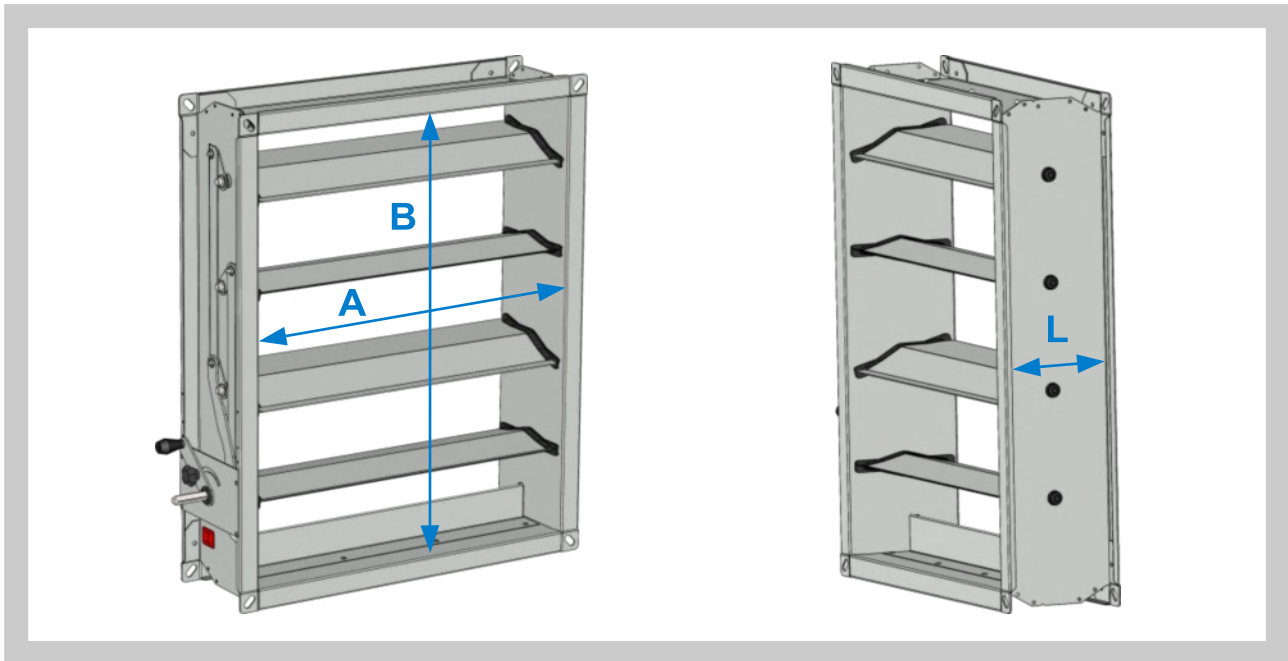
- 1.1. Multi blade regulation dampers RDM (hereinafter referred also shortly as the "dampers") are intended to be used in buildings – in heating, ventilation and air-conditioning (HVAC) systems. Controlled changes of the damper effective cross-section allow to adjust the air flow rate.

The dampers consist of a rectangular steel body (frame), set of steel counter-running blades closed from the both sides by sealing end-cups from a composite material based on polyamide with suppressed flammability V-0 in accordance with UL 94 (halogen-free), blade shaft from steel with composite plain bearings (or stainless-steel plain bearings, on demand), steel rod mechanism, and from a manual control, or from actuator control (with actuator), or the damper is just ready for actuator mounting (without actuator), respectively.

The dampers are characterized by:

- effort-less, smooth, silent running
- rigid blades with good aerodynamics
- two blade sizes to guarantee optimum filling of the cross-section
- silicone-free design
- wide application range

Fig. 1 Basic dimensions of the damper

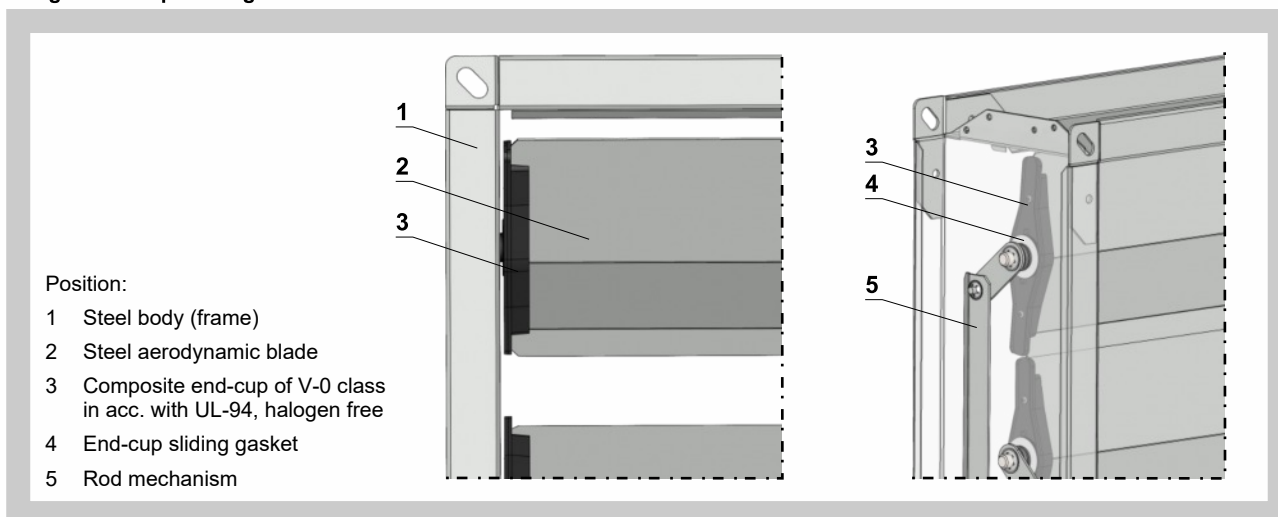


1.2. Damper characteristics

- | | |
|---|--|
| • Nominal dimensions A x B: | 200 x 200 * ... 2000 x 2000 mm by 5 mm |
| • Flange: | 30 mm |
| • Body length L: | 160 mm |
| • Tightness in acc. with EN 1751: | Casing leakage class C |
| • Volume air flow rates: | up to 172 800 m ³ /h |
| • Mean air velocity in the duct: | max. 12 m/s |
| • Maximum allowed pressure in the duct: | ± 1 500 Pa |
| • Maximum pressure difference: | 1 000 ... 1 500 Pa |
| • Reaction to fire - body (frame), blades, mechanics: | class A1 |

* it is possible to order dampers from size 100 x 100 mm (0.01 m²) with External Casing leakage class B acc. to EN 1751

Fig. 2 Damper design elements



1.3. Operation conditions

To guarantee reliable functioning of the damper, the following conditions shall be respected:

- a) horizontal or vertical blade direction¹⁾ and
- b) mean air velocity in the duct max. 12 m/s, and
- c) operation overpressure or vacuum in the duct max. 1500 Pa, and
- d) control pressure drop, difference of the static pressure in the sections before and after the damper in acc with chapter 4.1.
- e) mild climate 3K5 in accordance with EN 60721-3-3+A2, without condensation, frost, ice formation, without water from other sources than the rain, and
- f) environment without abrasive, adhesive, electro-charged, chemically active and radioactive solid or liquid particles, without radioactive gases²⁾ and
- g) operation temperature of -20°C ... +70°C, while
- h) in case of the damper equipped with an actuator or other electric devices is the the allowed temperature range limited in accordance with with the temperature range of such devices, typically to 0°C ... +50°C, and
- i) the flange of the duct where the damper is assembled shall be in plane; otherwise, negative impact on the tightness or even risk of damage of the damper during closing. The damper shall be fixed to the duct flange at least from one side. This applies also when adjusting the actuator.
- j) for actuator(s) mounted outside the Factory, the end blocks (stoppers) of the actuator(s) are setup correctly to prevent a mechanical damage of the damper.

1] Damper with horizontal blade axis needs less torque and will show slower wear.

2] With respect to the selected material option and/or surface protection treatment; individual demands may be discussed case by case.

2. Design

2.1. The damper can be supplied

- with manual control including handle and locking nut
- ready to mount an actuator
- with actuator

Fig. 3 Damper with manual control including handle and locking nut

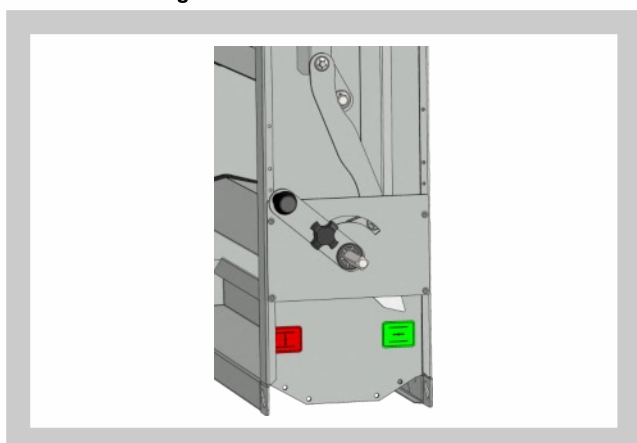
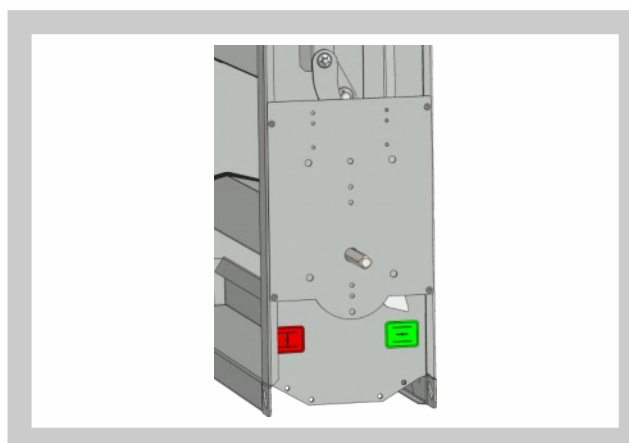


Fig. 4 Damper ready to mount an actuator



3. Basic range, dimensions, weights

3.1. Basic range, effective cross-section

Dampers up to B=445 consist of smaller blades with the spacing of 95 mm, dampers from B=450 mm consist of larger blades with the spacing of 145 mm.

Tab. 3.1.1. Basic range, effective cross section in m²

| | | A [mm] | | | | | | | | | | | | | | | |
|-----------|------|--------|-------|-------|-------|-------|-------|-------|-------|-------|-------|-------|-------|-------|-------|-------|-------|
| | | 200 | 250 | 300 | 315 | 400 | 500 | 600 | 630 | 800 | 1000 | 1200 | 1250 | 1400 | 1600 | 1800 | 2000 |
| B [mm] | 200 | 0,028 | 0,036 | 0,043 | 0,045 | 0,057 | 0,071 | 0,085 | 0,089 | 0,114 | 0,142 | 0,170 | 0,178 | – | – | – | – |
| | 250 | 0,028 | 0,036 | 0,043 | 0,045 | 0,057 | 0,071 | 0,085 | 0,089 | 0,114 | 0,142 | 0,170 | 0,178 | – | – | – | – |
| | 300 | 0,044 | 0,055 | 0,065 | 0,069 | 0,087 | 0,109 | 0,131 | 0,137 | 0,174 | 0,218 | 0,262 | 0,273 | – | – | – | – |
| | 315 | 0,044 | 0,055 | 0,065 | 0,069 | 0,087 | 0,109 | 0,131 | 0,137 | 0,174 | 0,218 | 0,262 | 0,273 | – | – | – | – |
| | 400 | 0,059 | 0,074 | 0,088 | 0,093 | 0,118 | 0,147 | 0,176 | 0,185 | 0,235 | 0,294 | 0,353 | 0,368 | – | – | – | – |
| | 500 | 0,068 | 0,085 | 0,102 | 0,107 | 0,136 | 0,171 | 0,205 | 0,215 | 0,273 | 0,341 | 0,409 | 0,426 | 0,477 | 0,546 | 0,614 | 0,682 |
| | 600 | 0,092 | 0,115 | 0,137 | 0,144 | 0,183 | 0,229 | 0,275 | 0,289 | 0,366 | 0,458 | 0,550 | 0,573 | 0,641 | 0,733 | 0,824 | 0,916 |
| | 630 | 0,092 | 0,115 | 0,137 | 0,144 | 0,183 | 0,229 | 0,275 | 0,289 | 0,366 | 0,458 | 0,550 | 0,573 | 0,641 | 0,733 | 0,824 | 0,916 |
| | 800 | 0,115 | 0,144 | 0,173 | 0,181 | 0,230 | 0,288 | 0,345 | 0,362 | 0,460 | 0,575 | 0,690 | 0,719 | 0,805 | 0,920 | 1,035 | 1,150 |
| | 1000 | 0,138 | 0,173 | 0,208 | 0,218 | 0,277 | 0,346 | 0,415 | 0,436 | 0,554 | 0,692 | 0,830 | 0,865 | 0,969 | 1,107 | 1,246 | 1,384 |
| | 1200 | – | – | – | – | 0,370 | 0,463 | 0,556 | 0,583 | 0,741 | 0,926 | 1,111 | 1,158 | 1,296 | 1,482 | 1,667 | 1,852 |
| | 1250 | – | – | – | – | 0,370 | 0,463 | 0,556 | 0,583 | 0,741 | 0,926 | 1,111 | 1,158 | 1,296 | 1,482 | 1,667 | 1,852 |
| | 1400 | – | – | – | – | 0,417 | 0,522 | 0,626 | 0,657 | 0,834 | 1,043 | 1,252 | 1,304 | 1,460 | 1,669 | 1,877 | 2,086 |
| | 1600 | – | – | – | – | 0,464 | 0,580 | 0,696 | 0,731 | 0,928 | 1,160 | 1,392 | 1,450 | 1,624 | 1,856 | 2,088 | 2,320 |
| 1800 | – | – | – | – | 0,558 | 0,697 | 0,836 | 0,878 | 1,115 | 1,394 | 1,673 | 1,743 | 1,952 | 2,230 | 2,509 | 2,788 | |
| 2000 | – | – | – | – | 0,604 | 0,756 | 0,907 | 0,952 | 1,209 | 1,511 | 1,813 | 1,889 | 2,115 | 2,418 | 2,720 | 3,022 | |

3.2. Weights

Weights of dampers without actuator are shown in table 3.2.1. If the damper is equipped with an actuator, actuator weight should be added, see chapter 7.

Tab. 3.2.1. Damper weight without actuator

| | | A [mm] | | | | | | | | | | | | | | | |
|-----------|------|--------|-----|-----|------|------|------|------|------|------|------|------|------|------|------|------|------|
| | | 200 | 250 | 300 | 315 | 400 | 500 | 600 | 630 | 800 | 1000 | 1200 | 1250 | 1400 | 1600 | 1800 | 2000 |
| B [mm] | 200 | 3,3 | 3,6 | 3,9 | 4 | 4,4 | 5 | 5,6 | 5,8 | 6,8 | 7,9 | 9,1 | 9,4 | – | – | – | – |
| | 250 | 3,5 | 3,8 | 4,1 | 4,2 | 4,8 | 5,4 | 6,1 | 6,3 | 7,3 | 8,6 | 9,9 | 10,2 | – | – | – | – |
| | 300 | 4,1 | 4,4 | 4,8 | 4,9 | 5,5 | 6,2 | 6,9 | 7,1 | 8,3 | 9,7 | 11,1 | 11,4 | – | – | – | – |
| | 315 | 4,2 | 4,5 | 4,9 | 5 | 5,6 | 6,3 | 7 | 7,2 | 8,4 | 9,9 | 11,3 | 11,6 | – | – | – | – |
| | 400 | 4,8 | 5,2 | 5,6 | 5,7 | 6,4 | 7,2 | 7,9 | 8,2 | 9,5 | 11,1 | 12,7 | 13,1 | – | – | – | – |
| | 500 | 5,1 | 5,5 | 6 | 6,1 | 6,8 | 7,7 | 8,6 | 8,8 | 10,3 | 12,1 | 13,8 | 14,3 | 21 | 23,4 | 25,8 | 28,2 |
| | 600 | 5,9 | 6,4 | 6,9 | 7 | 7,9 | 8,8 | 9,8 | 10,1 | 11,7 | 13,6 | 15,6 | 16,1 | 23,7 | 26,4 | 29,1 | 31,8 |
| | 630 | 6,1 | 6,6 | 7 | 7,2 | 8 | 9 | 10 | 10,3 | 11,9 | 13,9 | 15,8 | 16,3 | 24,1 | 26,8 | 29,5 | 32,2 |
| | 800 | 7,1 | 7,7 | 8,2 | 8,4 | 9,4 | 10,5 | 11,7 | 12 | 14 | 16,2 | 18,5 | 19,1 | 28,3 | 31,5 | 34,7 | 37,9 |
| | 1000 | 8,3 | 9 | 9,6 | 9,8 | 10,9 | 12,2 | 13,5 | 13,9 | 16,1 | 18,7 | 21,3 | 21,9 | 32,6 | 36,3 | 39,9 | 43,5 |
| | 1200 | – | – | – | – | 15,6 | 17,3 | 19,1 | 19,6 | 22,5 | 26 | 29,5 | 30,3 | 39,5 | 43,9 | 48,3 | 52,8 |
| | 1250 | – | – | – | – | 15,8 | 17,6 | 19,4 | 19,9 | 22,9 | 26,4 | 29,9 | 30,8 | 40 | 44,5 | 49 | 53,5 |
| | 1400 | – | – | – | – | 17,5 | 19,4 | 21,3 | 21,9 | 25,2 | 29 | 32,9 | 33,8 | 44,1 | 49 | 53,9 | 58,9 |
| | 1600 | – | – | – | – | 19,3 | 21,4 | 23,4 | 24,1 | 27,6 | 31,7 | 35,9 | 36,9 | 48,3 | 53,6 | 59 | 64,3 |
| 1800 | – | – | – | – | 21,4 | 23,6 | 25,9 | 26,6 | 30,5 | 35 | 39,5 | 40,7 | 54 | 59,9 | 65,9 | 71,9 | |
| 2000 | – | – | – | – | 23,4 | 25,8 | 28,3 | 29,1 | 33,2 | 38,2 | 43,1 | 44,3 | 58,8 | 65,2 | 71,7 | 78,2 | |

3.3. Dimensions

For damper control, 250 mm of space is needed, in the direction of the main shaft axis. Position of the main shaft axis is shown in Table 3.2.1. The handle of dampers with manual control does not exceed the outline of the damper body (frame).

Fig. 5 Damper dimensions

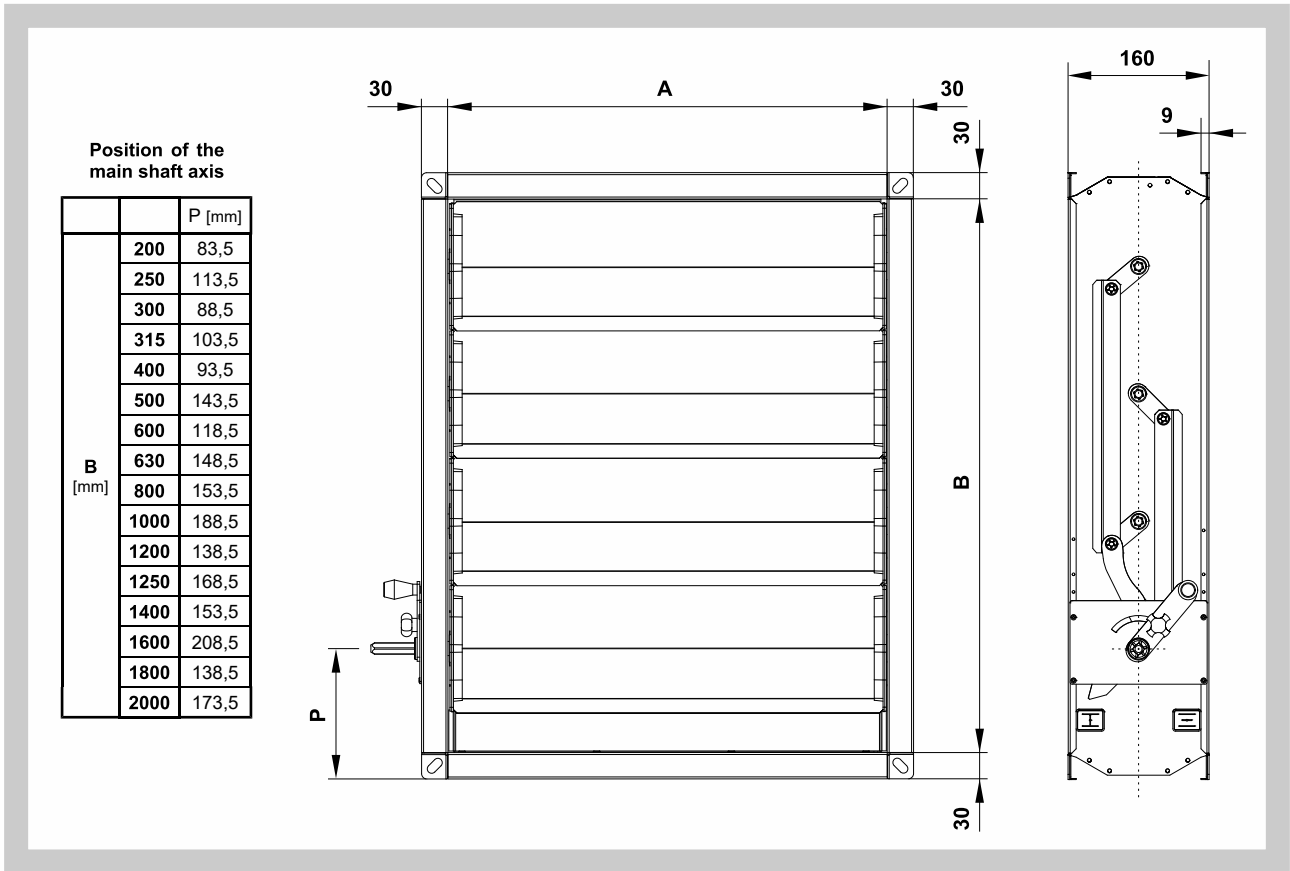
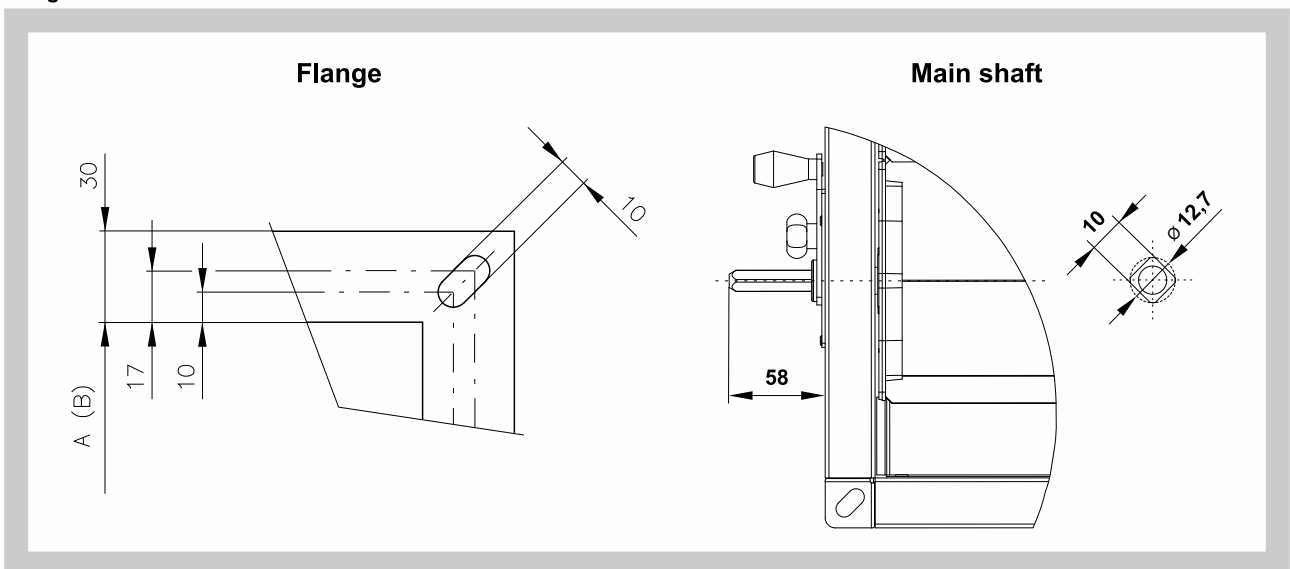


Fig. 6 Connection dimensions



3.4. Installation in the duct

The dampers are intended to be incorporated into HVAC duct. If the damper is installed in such way that blade axis are not horizontal, 50% stronger actuators are needed to control the damper compared to the same damper with horizontal blades.

III. TECHNICAL DATA

4. Basic parameters

4.1. Maximum allowed duct pressure, maximum pressure

Maximum allowed duct pressure is ± 1500 Pa. Maximum allowed control pressure drop or difference of the static pressure in the sections before and after the damper is shown in Table 4.1.1.

Tab. 4.1.1. Maximum allowed pressure difference (Pa)

| | | A [mm] | | | | | | | | | | | | | | | |
|-----------|------|--------|------|------|------|------|------|------|------|------|------|------|------|------|------|------|------|
| | | 200 | 250 | 300 | 315 | 400 | 500 | 600 | 630 | 800 | 1000 | 1200 | 1250 | 1400 | 1600 | 1800 | 2000 |
| B [mm] | 200 | 1500 | 1500 | 1500 | 1500 | 1500 | 1500 | 1500 | 1500 | 1500 | 1200 | 1200 | 1200 | - | - | - | - |
| | 250 | 1500 | 1500 | 1500 | 1500 | 1500 | 1500 | 1500 | 1500 | 1500 | 1200 | 1200 | 1200 | - | - | - | - |
| | 300 | 1500 | 1500 | 1500 | 1500 | 1500 | 1500 | 1500 | 1500 | 1500 | 1200 | 1200 | 1200 | - | - | - | - |
| | 315 | 1500 | 1500 | 1500 | 1500 | 1500 | 1500 | 1500 | 1500 | 1500 | 1200 | 1200 | 1200 | - | - | - | - |
| | 400 | 1500 | 1500 | 1500 | 1500 | 1500 | 1500 | 1500 | 1500 | 1500 | 1200 | 1200 | 1200 | - | - | - | - |
| | 500 | 1500 | 1500 | 1500 | 1500 | 1500 | 1500 | 1500 | 1500 | 1500 | 1500 | 1500 | 1500 | 1200 | 1200 | 1000 | 1000 |
| | 600 | 1500 | 1500 | 1500 | 1500 | 1500 | 1500 | 1500 | 1500 | 1500 | 1500 | 1500 | 1500 | 1200 | 1200 | 1000 | 1000 |
| | 630 | 1500 | 1500 | 1500 | 1500 | 1500 | 1500 | 1500 | 1500 | 1500 | 1500 | 1500 | 1500 | 1200 | 1200 | 1000 | 1000 |
| | 800 | 1500 | 1500 | 1500 | 1500 | 1500 | 1500 | 1500 | 1500 | 1500 | 1500 | 1500 | 1500 | 1200 | 1200 | 1000 | 1000 |
| | 1000 | 1500 | 1500 | 1500 | 1500 | 1500 | 1500 | 1500 | 1500 | 1500 | 1500 | 1500 | 1500 | 1200 | 1200 | 1000 | 1000 |
| | 1200 | - | - | - | - | 1500 | 1500 | 1500 | 1500 | 1500 | 1500 | 1500 | 1500 | 1200 | 1200 | 1000 | 1000 |
| | 1250 | - | - | - | - | 1500 | 1500 | 1500 | 1500 | 1500 | 1500 | 1500 | 1500 | 1200 | 1200 | 1000 | 1000 |
| | 1400 | - | - | - | - | 1500 | 1500 | 1500 | 1500 | 1500 | 1500 | 1500 | 1500 | 1200 | 1200 | 1000 | 1000 |
| | 1600 | - | - | - | - | 1500 | 1500 | 1500 | 1500 | 1500 | 1500 | 1500 | 1500 | 1200 | 1200 | 1000 | 1000 |
| 1800 | - | - | - | - | 1500 | 1500 | 1500 | 1500 | 1500 | 1500 | 1500 | 1500 | 1200 | 1200 | 1000 | 1000 | |
| 2000 | - | - | - | - | 1500 | 1500 | 1500 | 1500 | 1500 | 1500 | 1500 | 1500 | 1200 | 1200 | 1000 | 1000 | |

4.2. Closing torque

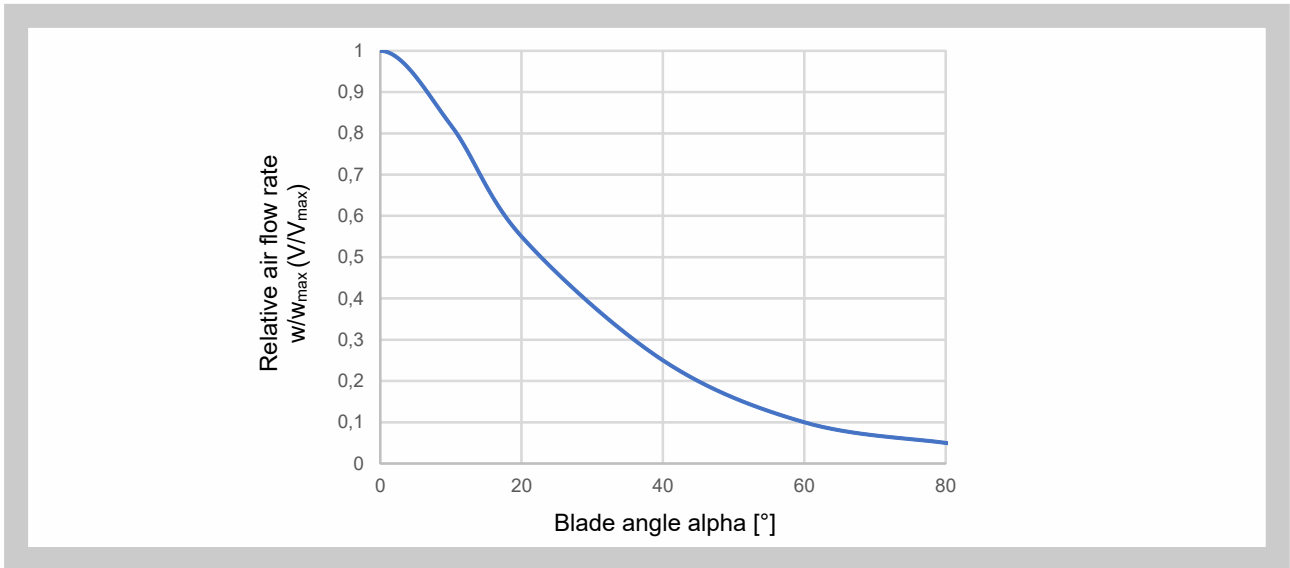
Aerodynamic forces acting on the blades and hence, on the closing mechanism depend, among other factors, on the fan characteristics, or on the external pressure drop characteristics of the HVAC system connected. At the moment the damper is almost closed, the aerodynamic forces are already negligible. For dampers used in another position than with damper blade axis horizontal, 50% actuator torque increase is highly recommended.

Tab. 4.2.1. Closing torque Nm

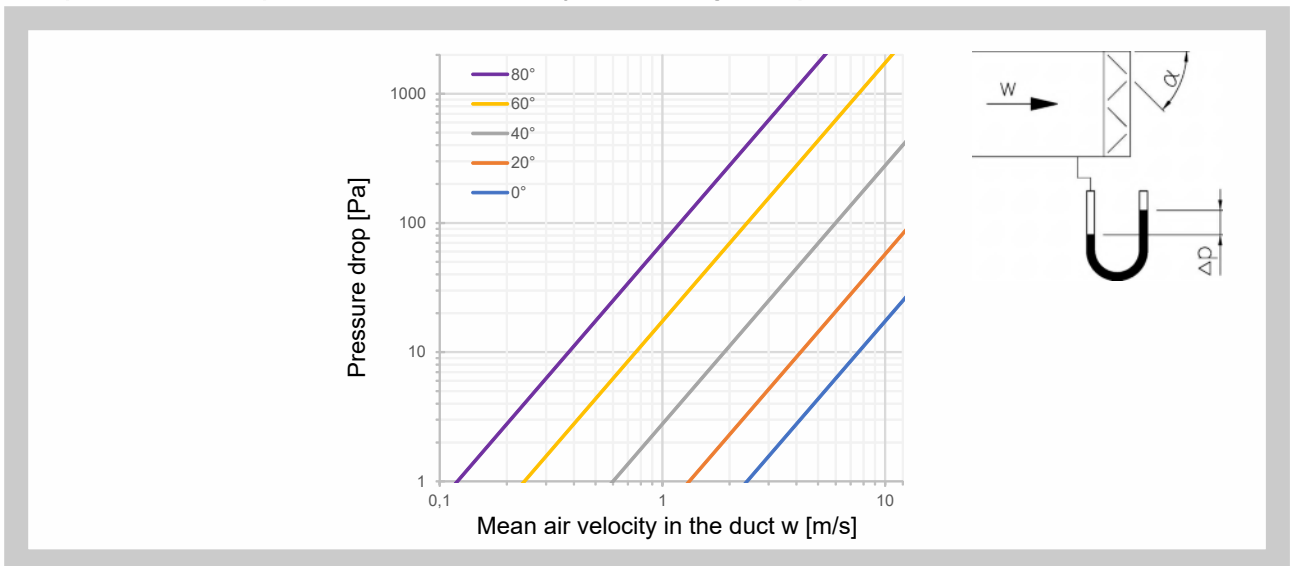
| | | A [mm] | | | | | | | | | | | | | | | | |
|-----------|------|--------|-----|-----|-----|-----|-----|-----|-----|-----|------|------|------|------|------|------|------|----|
| | | 200 | 250 | 300 | 315 | 400 | 500 | 600 | 630 | 800 | 1000 | 1200 | 1250 | 1400 | 1600 | 1800 | 2000 | |
| B [mm] | 200 | 2 | 2 | 2 | 2 | 2 | 2 | 2 | 2 | 4 | 4 | 4 | 4 | - | - | - | - | |
| | 250 | 2 | 2 | 2 | 2 | 2 | 2 | 4 | 4 | 4 | 4 | 4 | 4 | - | - | - | - | |
| | 300 | 2 | 2 | 2 | 2 | 2 | 4 | 4 | 4 | 4 | 4 | 4 | 4 | - | - | - | - | |
| | 315 | 2 | 2 | 2 | 2 | 4 | 4 | 4 | 4 | 4 | 4 | 4 | 4 | - | - | - | - | |
| | 400 | 4 | 4 | 4 | 4 | 4 | 4 | 4 | 4 | 4 | 4 | 10 | 10 | - | - | - | - | |
| | 500 | 4 | 4 | 4 | 4 | 4 | 4 | 4 | 4 | 4 | 10 | 10 | 10 | 10 | 10 | 10 | 10 | |
| | 600 | 4 | 4 | 4 | 4 | 4 | 4 | 10 | 10 | 10 | 10 | 10 | 10 | 10 | 10 | 10 | 10 | |
| | 630 | 4 | 4 | 4 | 4 | 4 | 4 | 10 | 10 | 10 | 10 | 10 | 10 | 10 | 10 | 10 | 10 | |
| | 800 | 4 | 10 | 10 | 10 | 10 | 10 | 10 | 10 | 10 | 10 | 10 | 10 | 10 | 10 | 10 | 10 | |
| | 1000 | 10 | 10 | 10 | 10 | 10 | 10 | 10 | 10 | 10 | 10 | 10 | 10 | 10 | 10 | 10 | 15 | 15 |
| | 1200 | - | - | - | - | 10 | 10 | 10 | 10 | 10 | 10 | 10 | 15 | 15 | 15 | 15 | 15 | |
| | 1250 | - | - | - | - | 10 | 10 | 10 | 10 | 10 | 10 | 15 | 15 | 15 | 15 | 15 | 15 | |
| | 1400 | - | - | - | - | 10 | 10 | 10 | 10 | 10 | 15 | 15 | 15 | 15 | 15 | 15 | 15 | |
| | 1600 | - | - | - | - | 10 | 10 | 10 | 10 | 15 | 15 | 15 | 15 | 15 | 15 | 20 | 20 | |
| 1800 | - | - | - | - | 10 | 15 | 15 | 15 | 15 | 15 | 15 | 15 | 15 | 20 | 20 | 20 | | |
| 2000 | - | - | - | - | 15 | 15 | 15 | 15 | 15 | 15 | 20 | 20 | 20 | 20 | 20 | 20 | | |

5. Flow characteristic, pressure drop, tightness

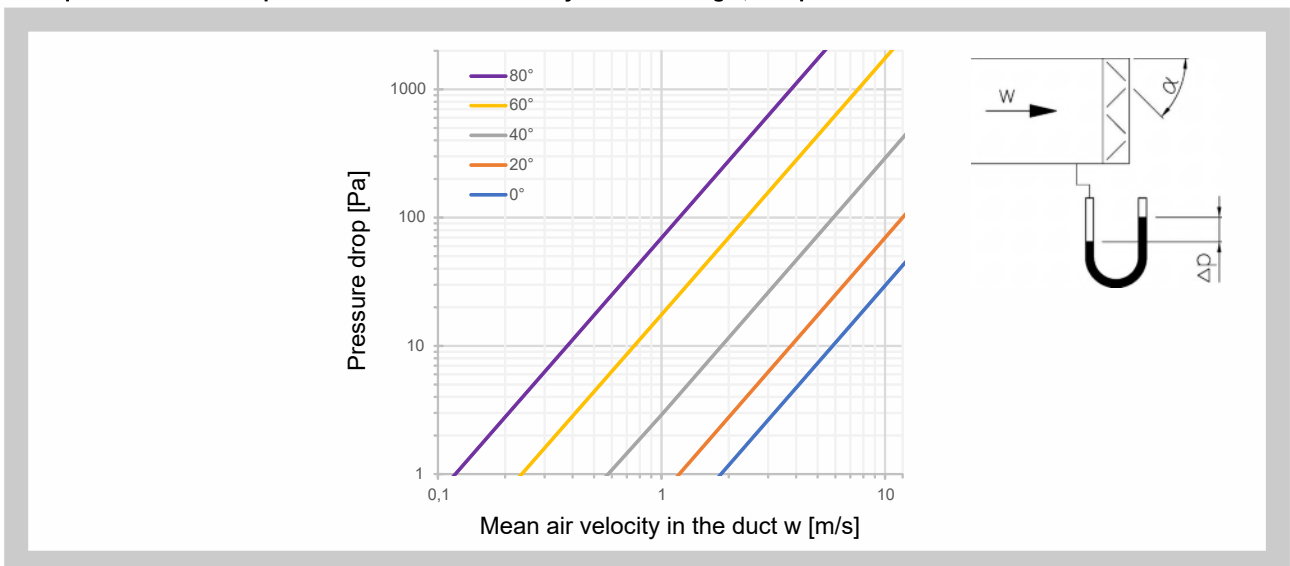
Graph 1 Flow characteristics at constant pressure drop of 40 Pa



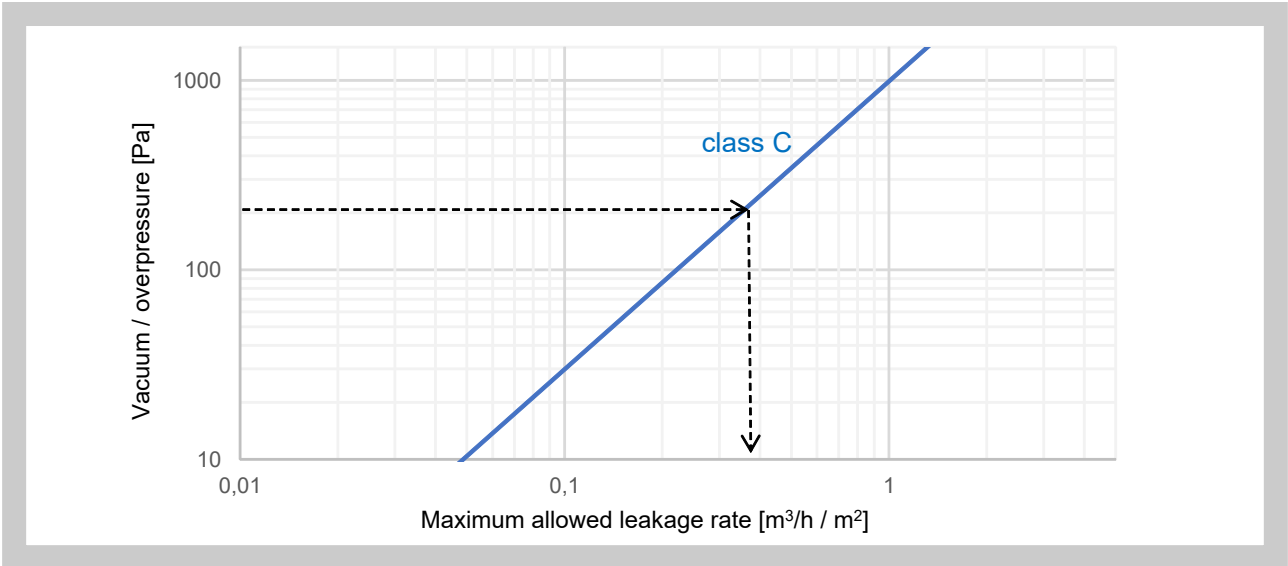
Graph 2 Pressure drop as function of the air velocity and blade angle, damper in the duct



Graph 3 Pressure drop as function of the air velocity and blade angle, damper at the end of the duct



Graph 4 Body (frame) leakage class C acc. to EN 1751



Tab. 5.1.1. Virtual surface area of damper body (frame) in m² considered for maximum allowed body leakage rate in acc. with EN 1751

| | | A [mm] | | | | | | | | | | | | | | | | |
|-----------|------|--------|-----|-----|-----|-----|-----|-----|-----|-----|------|------|------|------|------|------|------|--|
| | | 200 | 250 | 300 | 315 | 400 | 500 | 600 | 630 | 800 | 1000 | 1200 | 1250 | 1400 | 1600 | 1800 | 2000 | |
| B [mm] | 200 | 0,8 | 0,9 | 1 | 1 | 1,2 | 1,4 | 1,6 | 1,7 | 2 | 2,4 | 2,8 | 2,9 | - | | | | |
| | 250 | 0,9 | 1 | 1,1 | 1,1 | 1,3 | 1,5 | 1,7 | 1,8 | 2,1 | 2,5 | 2,9 | 3 | | | | | |
| | 300 | 1 | 1,1 | 1,2 | 1,2 | 1,4 | 1,6 | 1,8 | 1,9 | 2,2 | 2,6 | 3 | 3,1 | | | | | |
| | 315 | 1 | 1,1 | 1,2 | 1,3 | 1,4 | 1,6 | 1,8 | 1,9 | 2,2 | 2,6 | 3 | 3,1 | | | | | |
| | 400 | 1,2 | 1,3 | 1,4 | 1,4 | 1,6 | 1,8 | 2 | 2,1 | 2,4 | 2,8 | 3,2 | 3,3 | 3,8 | 4,2 | 4,6 | 5 | |
| | 500 | 1,4 | 1,5 | 1,6 | 1,6 | 1,8 | 2 | 2,2 | 2,3 | 2,6 | 3 | 3,4 | 3,5 | | | | | |
| | 600 | 1,6 | 1,7 | 1,8 | 1,8 | 2 | 2,2 | 2,4 | 2,5 | 2,8 | 3,2 | 3,6 | 3,7 | 4 | 4,4 | 4,8 | 5,2 | |
| | 630 | 1,7 | 1,8 | 1,9 | 1,9 | 2,1 | 2,3 | 2,5 | 2,5 | 2,9 | 3,3 | 3,7 | 3,8 | 4,1 | 4,5 | 4,9 | 5,3 | |
| | 800 | 2 | 2,1 | 2,2 | 2,2 | 2,4 | 2,6 | 2,8 | 2,9 | 3,2 | 3,6 | 4 | 4,1 | 4,4 | 4,8 | 5,2 | 5,6 | |
| | 1000 | 2,4 | 2,5 | 2,6 | 2,6 | 2,8 | 3 | 3,2 | 3,3 | 3,6 | 4 | 4,4 | 4,5 | 4,8 | 5,2 | 5,6 | 6 | |
| | 1200 | - | | | | 3,2 | 3,4 | 3,6 | 3,7 | 4 | 4,4 | 4,8 | 4,9 | 5,2 | 5,6 | 6 | 6,4 | |
| | 1250 | | | | | 3,3 | 3,5 | 3,7 | 3,8 | 4,1 | 4,5 | 4,9 | 5 | 5,3 | 5,7 | 6,1 | 6,5 | |
| | 1400 | | | | | 3,6 | 3,8 | 4 | 4,1 | 4,4 | 4,8 | 5,2 | 5,3 | 5,6 | 6 | 6,4 | 6,8 | |
| | 1600 | | | | | 4 | 4,2 | 4,4 | 4,5 | 4,8 | 5,2 | 5,6 | 5,7 | 6 | 6,4 | 6,8 | 7,2 | |
| 1800 | 4,4 | | | | | 4,6 | 4,8 | 4,9 | 5,2 | 5,6 | 6 | 6,1 | 6,4 | 6,8 | 7,2 | 7,6 | | |
| 2000 | 4,8 | | | | | 5 | 5,2 | 5,3 | 5,6 | 6 | 6,4 | 6,5 | 6,8 | 7,2 | 7,6 | 8 | | |

6. Noise data

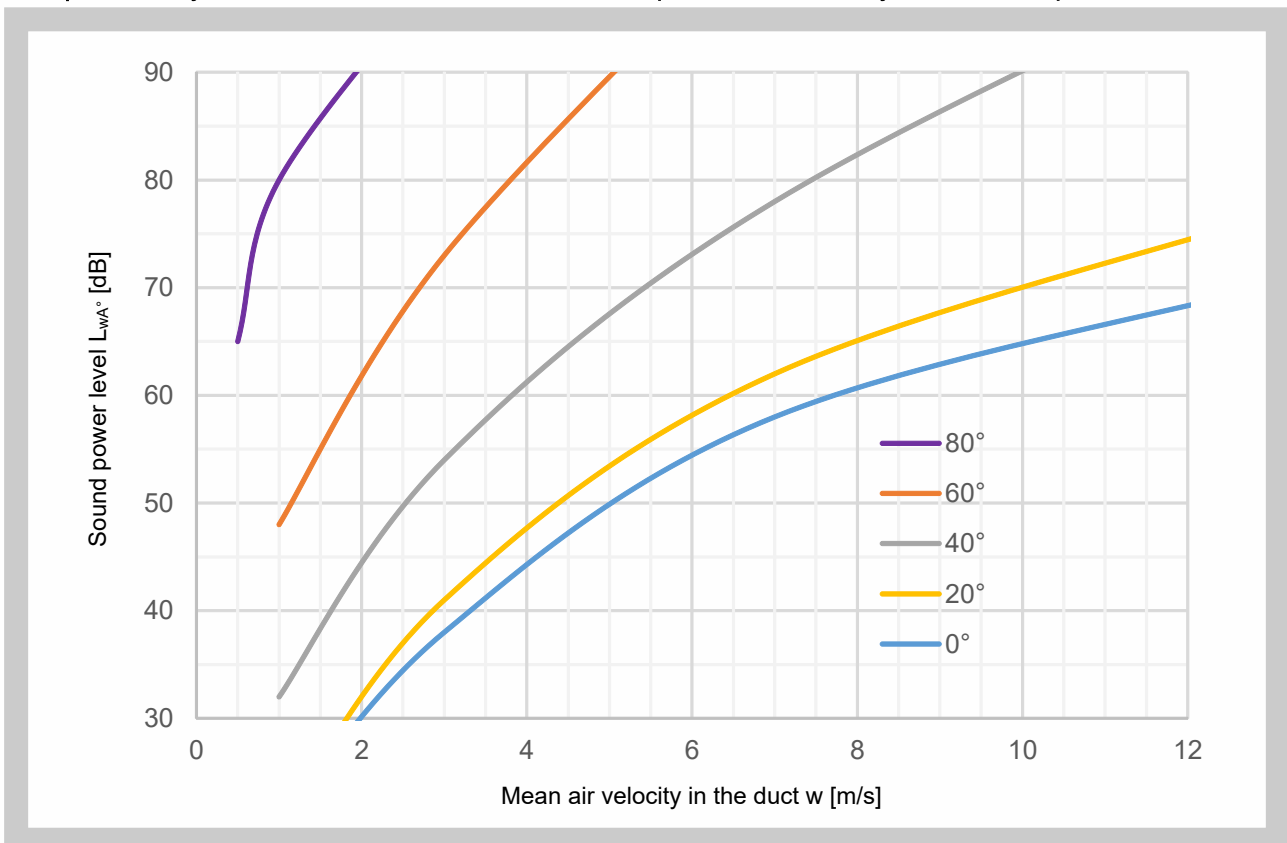
6.1. To some extent, the damper prevents the propagation of the noise between duct sections separated by the damper. Nevertheless, the damper generates its own noise, as a function of the mean air velocity in the duct and damper blade angle, in acc. with Table 6.1.1, Graph 5, and the following formula for the total acoustic power corrected by A-filter.

$$L_{WA} = L_{WA^\circ} + K$$

Tab. 6.1.1. Size correction factor K (dB) for acoustic power

| | | A [mm] | | | | | | | | | | | | | | | | |
|--------|------|--------|-----|-----|-----|-----|-----|-----|-----|-----|------|------|------|------|------|------|------|--|
| | | 200 | 250 | 300 | 315 | 400 | 500 | 600 | 630 | 800 | 1000 | 1200 | 1250 | 1400 | 1600 | 1800 | 2000 | |
| B [mm] | 200 | -14 | -13 | -12 | -12 | -11 | -10 | -9 | -9 | -8 | -7 | -6 | -6 | - | | | | |
| | 250 | -13 | -12 | -11 | -11 | -10 | -9 | -8 | -8 | -7 | -6 | -5 | -5 | | | | | |
| | 300 | -12 | -11 | -10 | -10 | -9 | -8 | -7 | -7 | -6 | -5 | -4 | -4 | | | | | |
| | 315 | -12 | -11 | -10 | -10 | -9 | -8 | -7 | -7 | -6 | -5 | -4 | -4 | | | | | |
| | 400 | -11 | -10 | -9 | -9 | -8 | -7 | -6 | -6 | -5 | -4 | -3 | -3 | | | | | |
| | 500 | -10 | -9 | -8 | -8 | -7 | -6 | -5 | -5 | -4 | -3 | -2 | -2 | -2 | -1 | 0 | 0 | |
| | 600 | -9 | -8 | -7 | -7 | -6 | -5 | -4 | -4 | -3 | -2 | -1 | -1 | -1 | 0 | 0 | 1 | |
| | 630 | -9 | -8 | -7 | -7 | -6 | -5 | -4 | -4 | -3 | -2 | -1 | -1 | -1 | 0 | 1 | 1 | |
| | 800 | -8 | -7 | -6 | -6 | -5 | -4 | -3 | -3 | -2 | -1 | 0 | 0 | 0 | 1 | 2 | 2 | |
| | 1000 | -7 | -6 | -5 | -5 | -4 | -3 | -2 | -2 | -1 | 0 | 1 | 1 | 1 | 2 | 3 | 3 | |
| | 1200 | - | | | | -3 | -2 | -1 | -1 | 0 | 1 | 2 | 2 | 2 | 3 | 3 | 4 | |
| | 1250 | | | | | -3 | -2 | -1 | -1 | 0 | 1 | 2 | 2 | 2 | 3 | 4 | 4 | |
| | 1400 | | | | | -3 | -2 | -1 | -1 | 0 | 1 | 2 | 2 | 3 | 4 | 4 | 4 | |
| 1600 | -2 | | | | | -1 | 0 | 0 | 1 | 2 | 3 | 3 | 4 | 4 | 5 | 5 | | |
| 1800 | -1 | | | | | 0 | 0 | 1 | 2 | 3 | 3 | 4 | 4 | 5 | 5 | 6 | | |
| 2000 | - | | | | -1 | 0 | 1 | 1 | 2 | 3 | 4 | 4 | 4 | 5 | 6 | 6 | | |

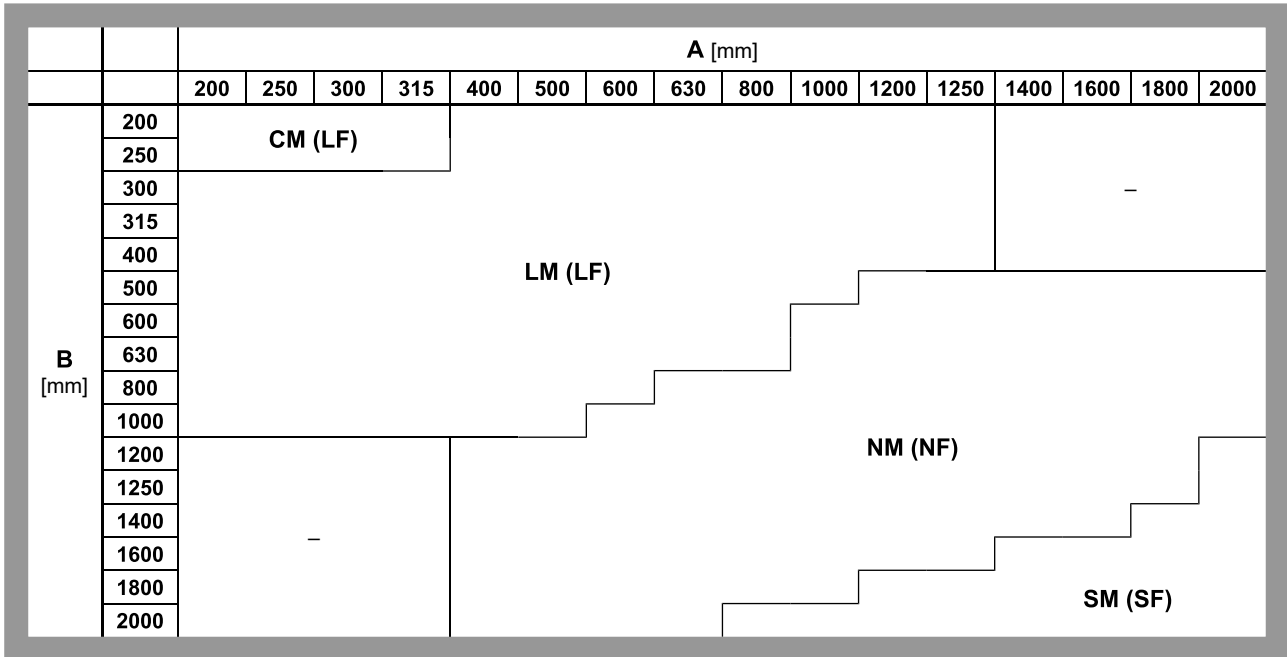
Graph 5 Aerodynamic noise emissions to the duct L_{WA° – sound power level corrected by A-filter for a damper of 1 m² cross section



7. Electrical elements, wiring diagram

7.1. Assignment of Belimo actuators to dampers

Tab. 7.1.1. Assignment of Belimo actuators to dampers (by size) for dampers installed with horizontal blade axis (actuators with emergency function in brackets)



Tab. 7.1.2. Parameters of actuators, assignment to damper design

| Type of servo actuator | | Design | Position signal | Emergency functions | Torque | Weight [kg] | Dimensions L x H x W [mm] |
|------------------------|-------------------|--------|-----------------|---------------------|--------|---------------|---------------------------|
| CM | Belimo CM 230-L | .45 | NO | NO | 2 Nm | 0,2 | 158 x 56 x 28 |
| | Belimo CM 24-L | .55 | NO | | | 0,2 | |
| | Belimo CM 24-SR-L | .57 | YES | | | 0,2 | |
| LM | Belimo LM 230A-S | .46 | YES | | 5 Nm | 0,6 | 116 x 61 x 66 |
| | Belimo LM 230A | .45 | NO | | | 0,5 | |
| | Belimo LM 24A-S | .56 | YES | | | 0,6 | |
| | Belimo LM 24A | .55 | NO | | | 0,5 | |
| | Belimo LM 24A-SR | .57 | YES | | | 0,5 | |
| NM | Belimo NM 230A-S | .46 | YES | | 10 Nm | 0,9 | 124 x 62 x 80 |
| | Belimo NM 230A | .45 | NO | | | 0,8 | |
| | Belimo NM 24A-S | .56 | YES | | | 0,9 | |
| | Belimo NM 24A | .55 | NO | | | 0,8 | |
| | Belimo NM 24A-SR | .57 | YES | | | 0,8 | |
| SM | Belimo SM 230A-S | .46 | YES | | 20 Nm | 1,1 | 139 x 64 x 88 |
| | Belimo SM 230A | .45 | NO | | | 1,1 | |
| | Belimo SM 24A-S | .56 | YES | 1,1 | | | |
| | Belimo SM 24A | .55 | NO | 1,0 | | | |
| | Belimo SM 24A-SR | .57 | YES | 1,1 | | | |
| LF | Belimo LF 230A | .43 | NO | 5 Nm | 1,7 | 130 x 82 x 98 | |
| | Belimo LF 230A-S | .48 | YES | | 1,8 | | |
| | Belimo LF 24A | .53 | NO | | 1,5 | | |
| | Belimo LF 24A-S | .58 | YES | | 1,6 | | |
| NF | Belimo NFA | .43 | NO | 10 Nm | 1,8 | 182 x 93 x 98 | |
| | Belimo NFA-S2 | .48 | YES | | 1,9 | | |
| | Belimo NF 24A | .53 | NO | | 2,1 | | |
| | Belimo NF 24A-S2 | .58 | YES | | 2,3 | | |
| SF | Belimo SFA | .43 | NO | 20 Nm | 1,7 | 182 x 93 x 98 | |
| | Belimo SFA-S2 | .48 | YES | | 2,0 | | |
| | Belimo SF 24A | .53 | NO | | 2,3 | | |
| | Belimo SF 24A-S2 | .58 | YES | | 2,4 | | |

Tab. 7.1.3. Supply voltage and power input

| Type of actuator | Supply voltage | Power input | | |
|----------------------|---|--------------|------------------|--------------|
| | | In operation | Resting position | Dimensioning |
| CM 230-L | AC 100 ... 240 V, 50/60 Hz | 1,5 W | 1 W | 3 VA |
| CM 24-L | AC 24 V, 50/60 Hz; DC 24 V | 0,5 W | 0,2 W | 1 VA |
| CM 24-SR-L | AC 24 V, 50/60 Hz; DC 24 V | 1 W | 0,5 W | 2 VA |
| LM 230A, LM 230A-S | AC 100 ... 240 V, 50/60 Hz | 1,5 W | 0,4 W | 4 VA |
| LM 24A, LM 24A-S | AC 24 V, 50/60 Hz; DC 24 V | 1 W | 0,2 W | 2 VA |
| LM 24A-SR | AC 24 V, 50/60 Hz; DC 24 V | 1 W | 0,4 W | 2 VA |
| NM 230A-F, NM 230A-S | AC 100 ... 240 V, 50/60 Hz | 2,5 W | 0,6 W | 6 VA |
| NM 24A-F, NM 24A-S | AC 24 V, 50/60 Hz; DC 24 V | 1,5 W | 0,2 W | 3,5 VA |
| NM 24A-SR | AC 24 V, 50/60 Hz; DC 24 V | 2 W | 0,4 W | 4 VA |
| SM 230A, SM 230A-S | AC 100 ... 240 V, 50/60 Hz | 2,5 W | 0,6 W | 6 VA |
| SM 24A, SM 24A-S | AC 24 V, 50/60 Hz; DC 24 V | 2 W | 0,2 W | 4 VA |
| SM 24A-SR | AC 24 V, 50/60 Hz; DC 24 V | 2 W | 0,4 W | 4 VA |
| LF 230, LF 230-S | AC 198 ... 264 V, 50/60 Hz | 5 W | 3 W | 7 VA |
| LF 24, LF 24-S | AC 24 V, 50/60 Hz; DC 24 V | 5 W | 2,5 W | 7 VA |
| NFA, NFA-S2 | AC 24 ... 240 V, 50/60 Hz / DC 24 ... 125 V | 6 W | 2,5 W | 9,5 VA |
| NF 24A, NF 24A-S2 | AC 24 V, 50/60 Hz; DC 24 V | 6 W | 2,5 W | 8,5 VA |
| SFA, SFA-S2 | AC 24 ... 240 V, 50/60 Hz / DC 24 ... 125 V | 7 W | 3,5 W | 18 VA |
| SF 24A, SF 24A-S2 | AC 24 V, 50/60 Hz; DC 24 V | 5 W | 2,5 W | 7,5 VA |

7.2. Wiring diagram of servo actuators Belimo

Fig. 7 Wiring diagram of servo actuators Belimo CM 230-L

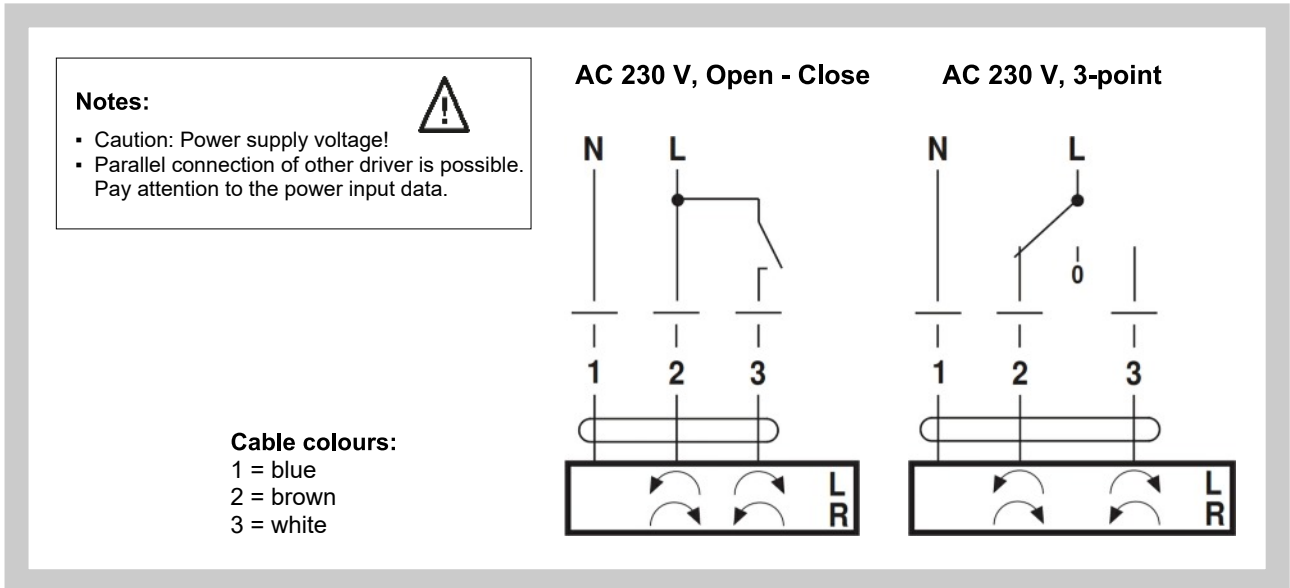


Fig. 10 Wiring diagram of servo actuators Belimo LM 230A, NM 230A, SM 230A

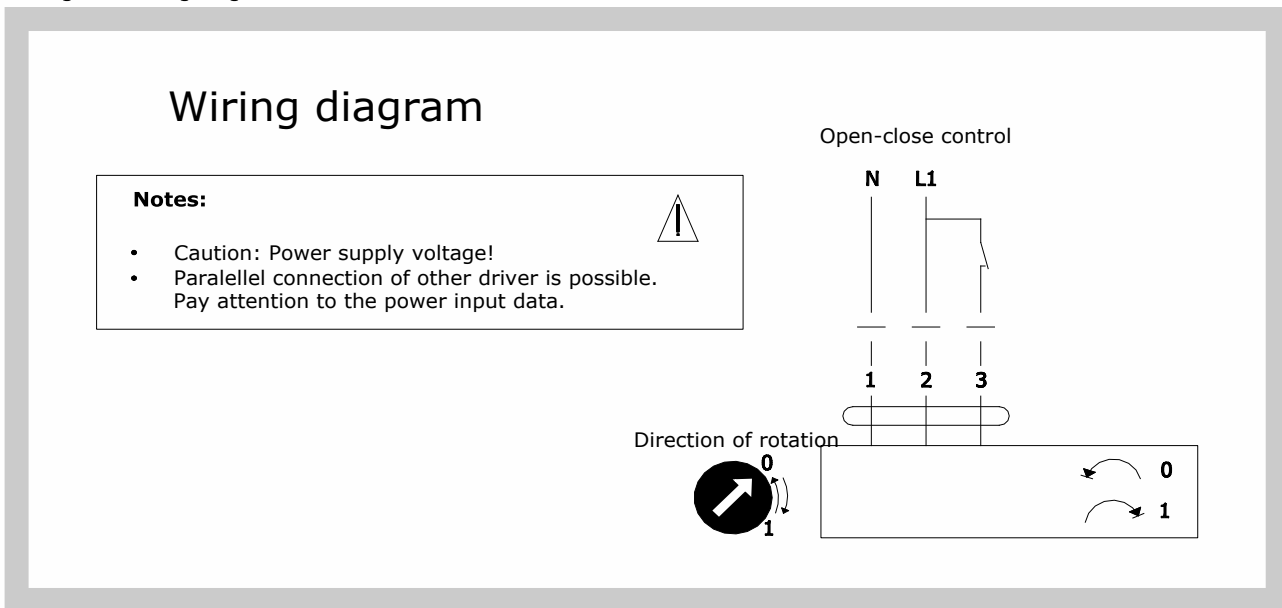


Fig. 11 Wiring diagram of servo actuators Belimo LM 24A, NM 24A, SM 24A

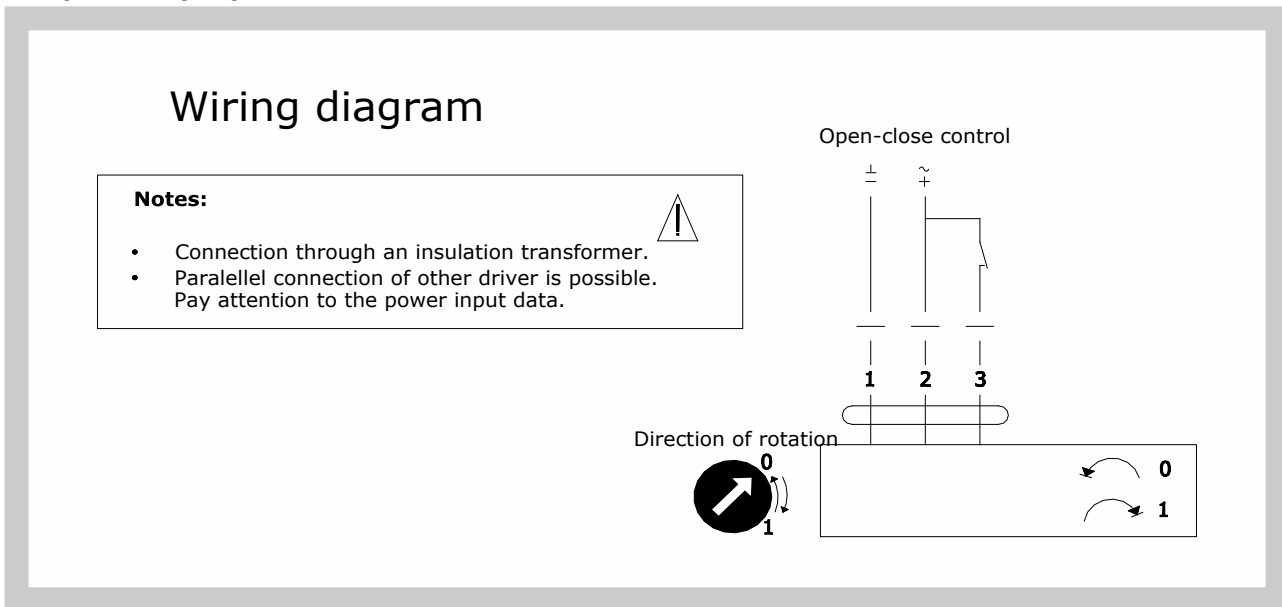


Fig. 12 Wiring diagram of servo actuators Belimo LM 24A-SR, NM 24A-SR, SM 24A-SR

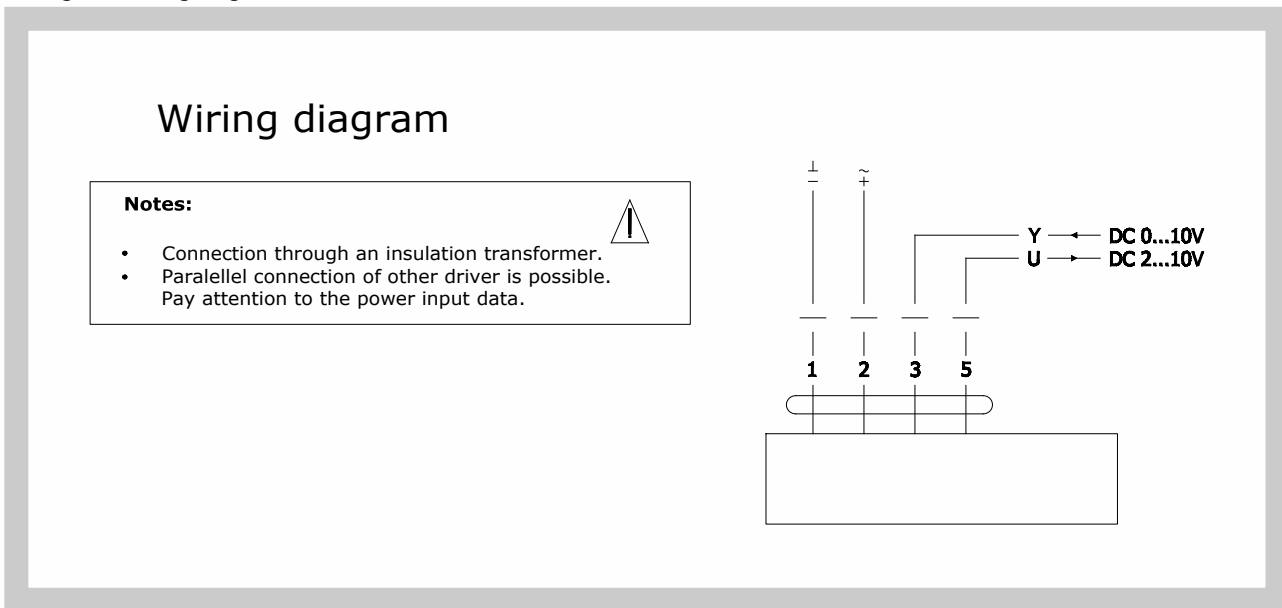


Fig. 13 Wiring diagram of servo actuators Belimo LM230A-S, NM 230A-S, SM 230A-S

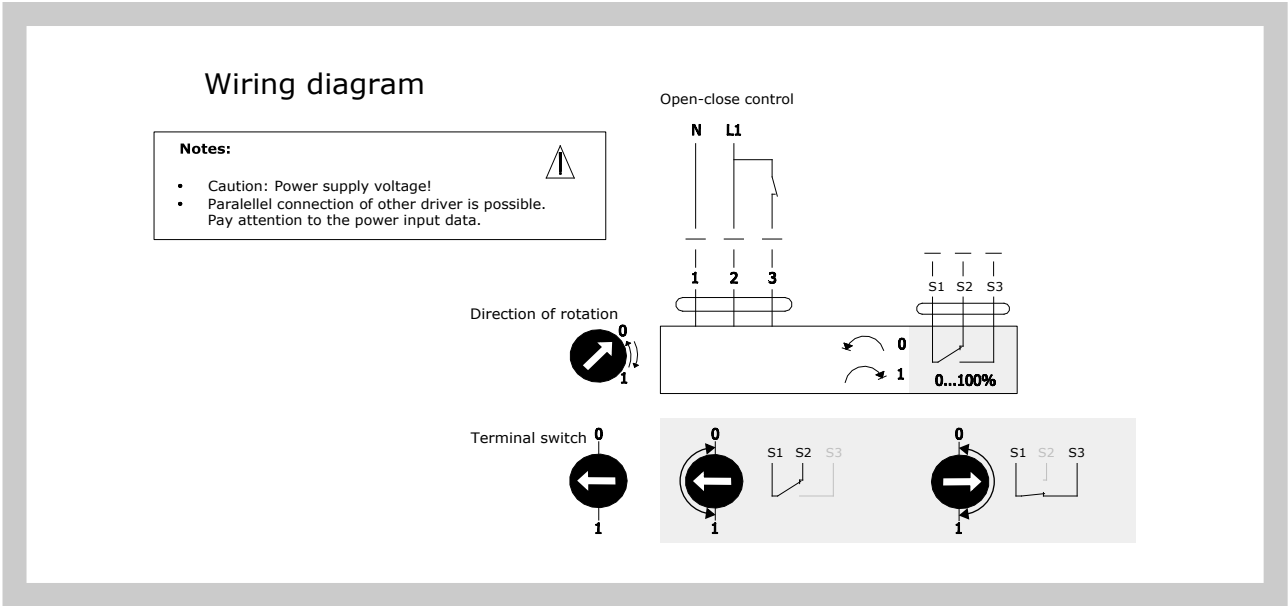


Fig. 14 Wiring diagram of servo actuators Belimo LM24A-S, NM 24A-S, SM 24A-S

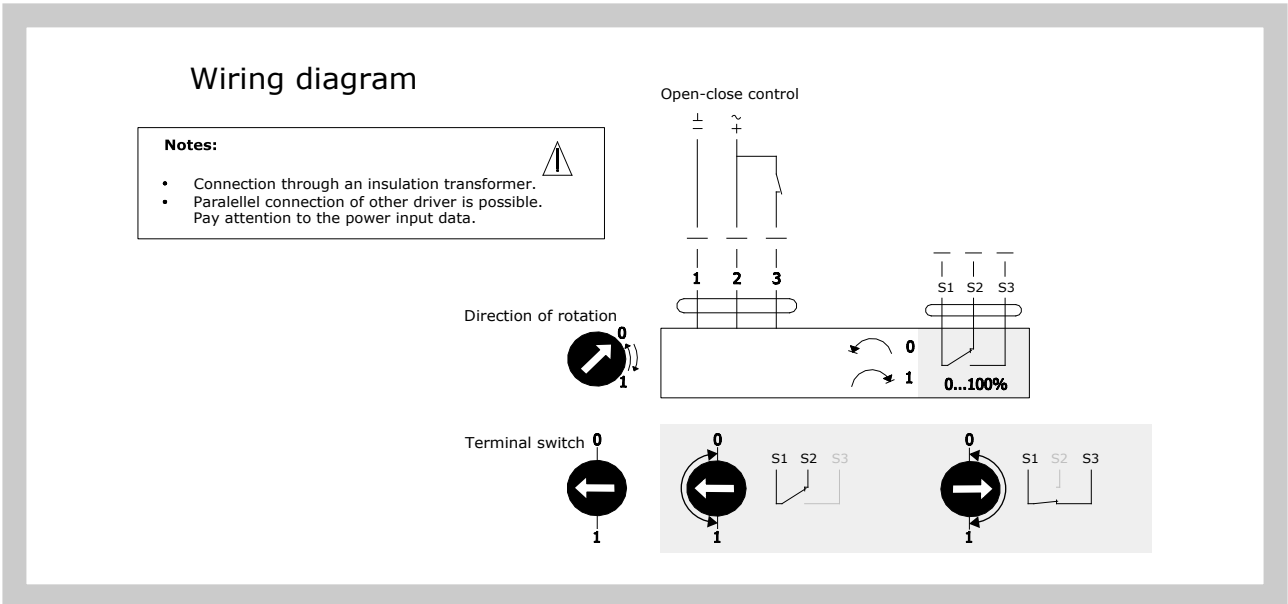


Fig. 15 Wiring diagram of servo actuators Belimo LF 24A, NF 24A, SF 24A

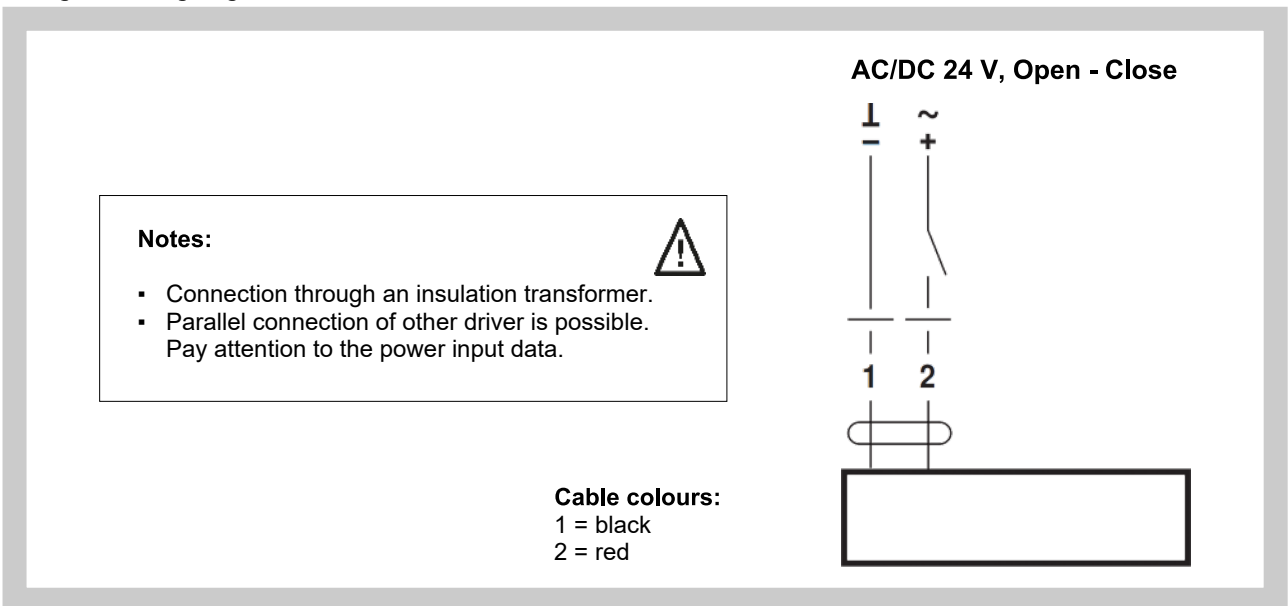


Fig. 16 Wiring diagram of servo actuators Belimo LF 230

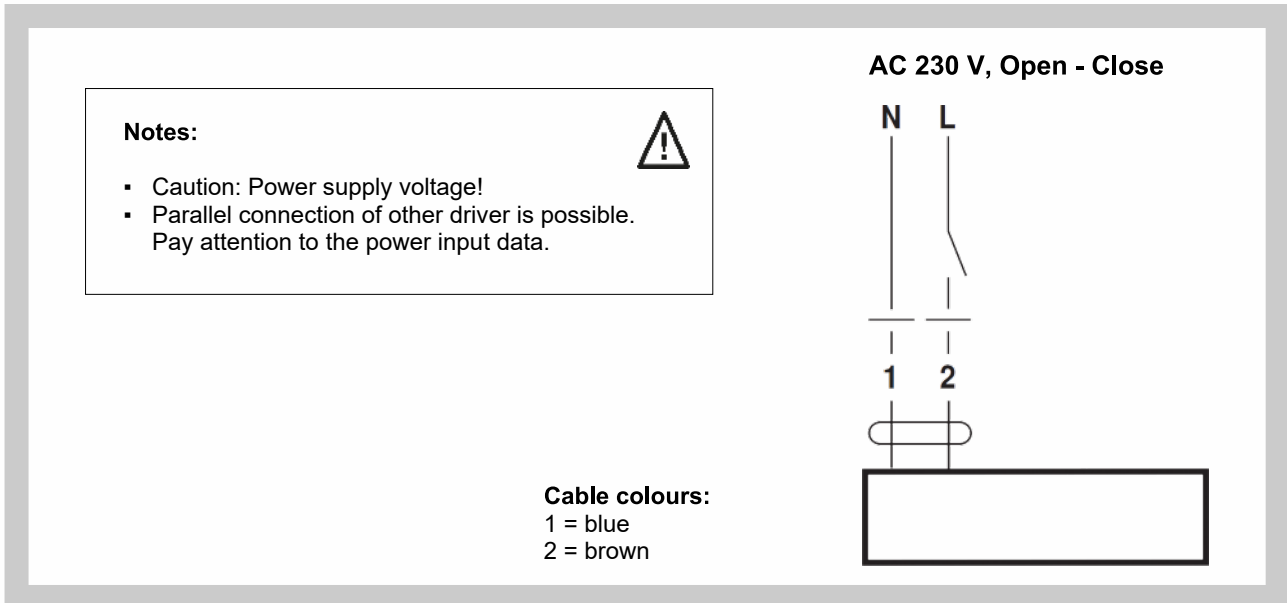


Fig. 17 Wiring diagram of servo actuators Belimo LF 24-S

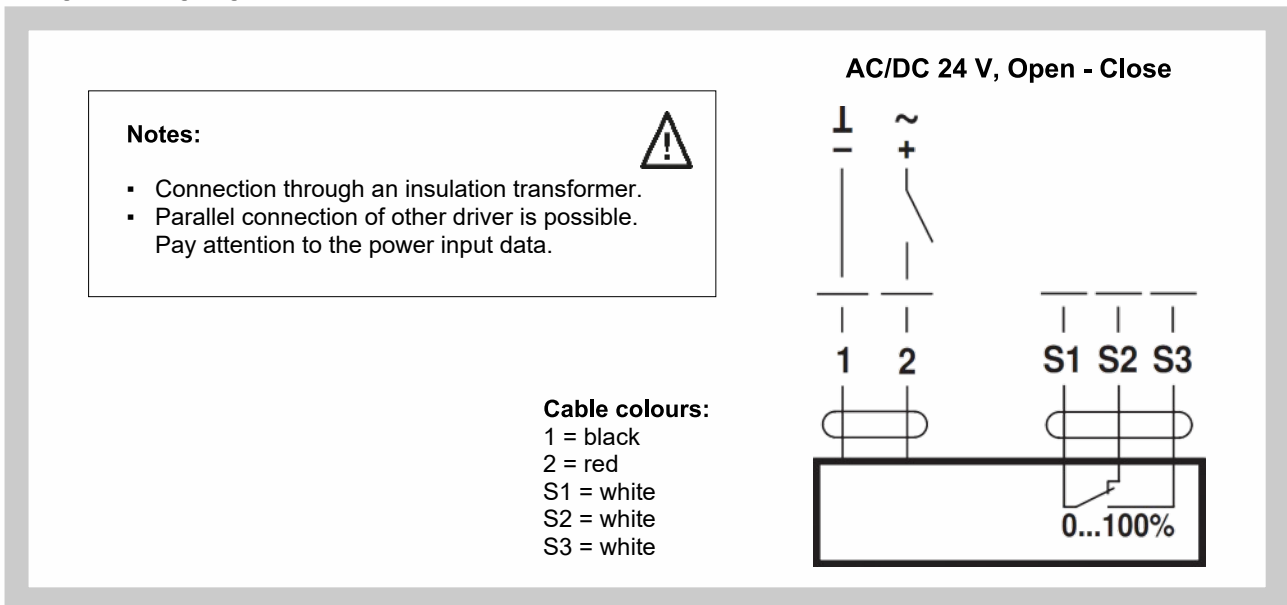


Fig. 18 Wiring diagram of servo actuators Belimo LF 230-S

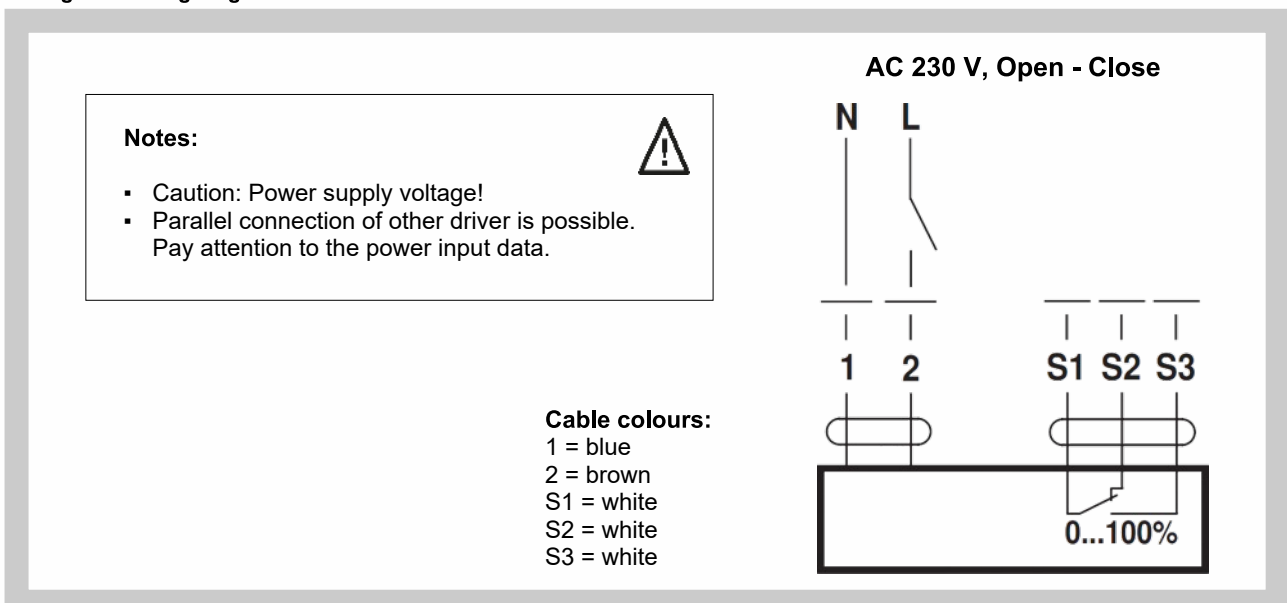


Fig. 19 Wiring diagram of servo actuators Belimo NFA, SFA

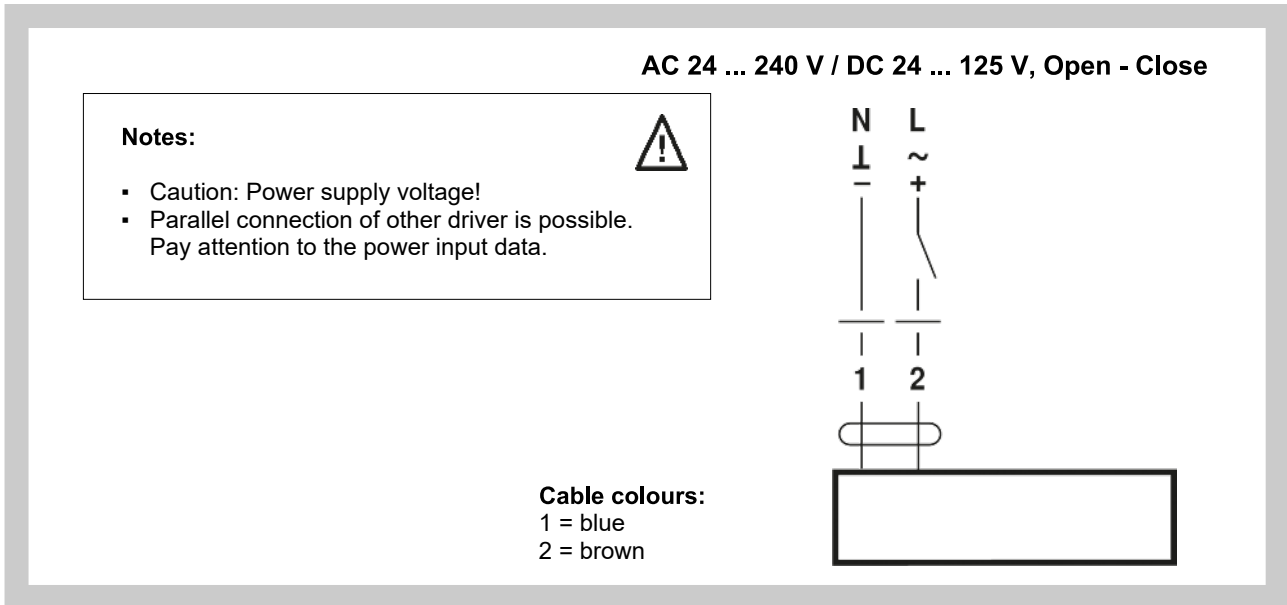


Fig. 20 Wiring diagram of servo actuators Belimo NF 24A-S2, SF 24A-S2

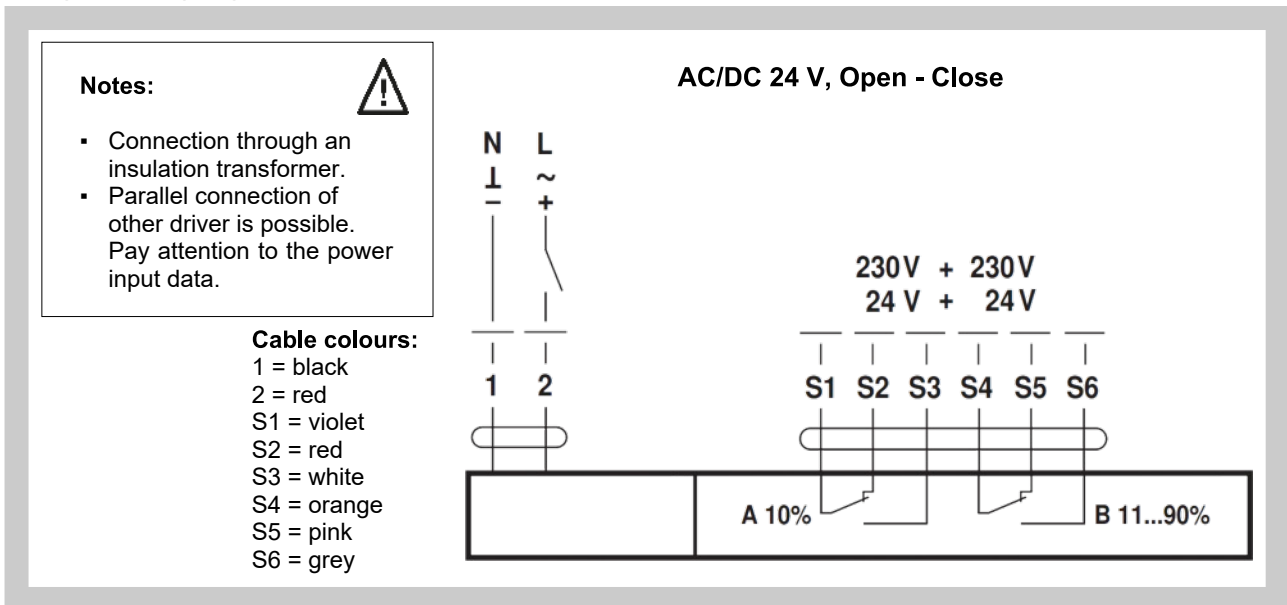
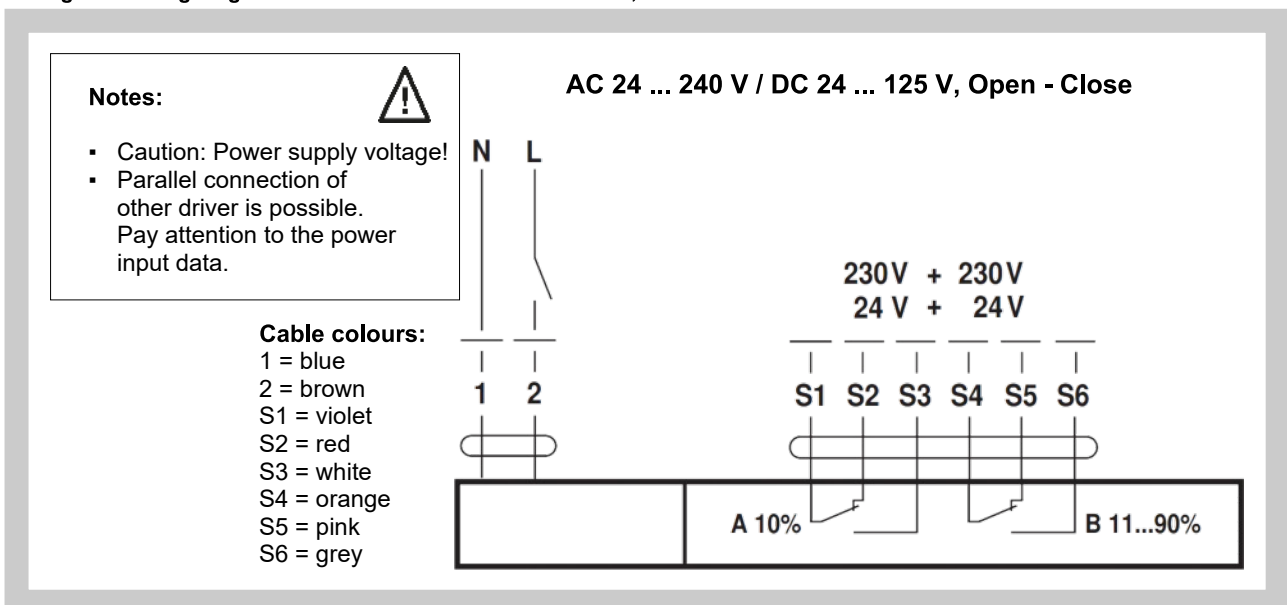


Fig. 21 Wiring diagram of servo actuators Belimo NFA-S2, SFA-S2



IV. MATERIAL, FINISHING

8. Material

8.1. Standard materials and finishing

Steel body (frame) and blades from DX51+Z275 zinc galvanized sheet metal, damper is delivered without any additional surface treatment. Blade end-plugs from composite material based on PA6 and glass fibres, with halogen-free UV-stabilisation and suppressed flammability additives giving V-0 flammability in accordance with UL-94, blade shafts from lead-free mild steel with composite plane bearings. The blade end-cups are with EPDM sliding gaskets with closed pores, with sliding film from PA6.

8.2. Special materials and finishing options

On customer request, the damper may be delivered from stainless steel.

Specification of stainless steel designs – material options:

- A2 – food grade stainless steel (AISI 304 – EN 17240)
- A4 – chemical grade stainless steel with reduced carbon content (AISI 316L – EN 17349)

All metal parts are from the stainless steel, except for the actuator and eventually, actuator shaft transition part.

On special customer request, blade shaft bearings may be delivered as a compact part from stainless steel, where the composite slide bearing from the standard design will be replaced by stainless steel sliding surface.

Selatings, gaskets, actuator shaft transition parts, actuators, and end-switches are identical for all material options.

Some fasteners are available only in one stainless steel grade, those fasteners will be used in all stainless steel designs.

Other special requirements on materials and/or additional surface treatment will be responded individually.

V. INSPECTION, TESTING

9. Inspection

9.1. Dimensions are checked using regular rulers according to the standard applicable to dimensions without defined tolerances used in the air conditioning trade.

9.2. Intra operational inspections of the parts and main dimensions according to the drawing documentation are performed.

10. Testing

10.1. After assembly, the operation of the blade and of electrical actuators is performed.

VI. PACKING, TRANSPORT AND STORAGE

11. Logistic terms

11.1. The delivery includes a complete damper including the control mechanism.

11.2. The dampers are transported as bulk cargo, using suitable covered means of transport. When agreed upon with the manufacturer, the dampers can be loaded onto pallets or wooden crates. Dampers must be protected from mechanical damage during transport and storage. If packing is used, it is non-returnable and its price is not included in the price of the damper.

11.3. If not otherwise agreed, the handover is considered when the goods is forwarded to the carrier.

11.4. The dampers must be stored in the indoor environment without any aggressive vapours, gases or dust. Indoor temperature must be in the range from -5°C to +40°C and maximum relative humidity 80%. Dampers must be protected against mechanic damages when transported and manipulated.

VII. ORDERING INFORMATION

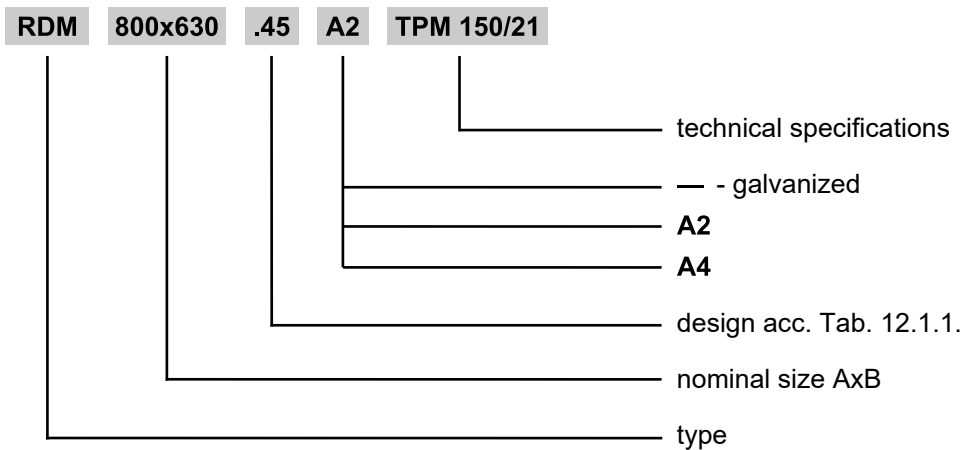
12. List of the most frequently ordered designs

12.1. List of the most frequently ordered designs is shown in Table 12.1.1. Complete list of available designs may be downloaded from the web site, or may be received from your sales representative.

Tab. 12.1.1. List of the most frequently ordered designs

| Design of damper - type of control | Additional digit |
|---|------------------|
| Manually controlled | .01 |
| To fit actuator drive - ready to mount an actuator | .09 |
| Actuator with emergency function 230V - closed without voltage | .43 |
| Actuator controlled 230V, two point regulation - without position signal | .45 |
| Actuator controlled 230V, two point regulation - with position signal | .46 |
| Actuator with emergency function 230V - two point regulation + position signal (2 positions) - closed without voltage | .48 |
| Actuator with emergency function 24V - closed without voltage | .53 |
| Actuator controlled 24V, two point regulation - without position signal | .55 |
| Actuator controlled 24V, two point regulation - with position signal | .56 |
| Actuator controlled 24V SR with smooth regulation | .57 |
| Actuator with emergency function 24V - with position signal (2 positions) | .58 |

13. Ordering key



MANDÍK, a.s.
Dobříšská 550
26724 Hostomice
Czech Republic
Tel.: +420 311 706 706
E-Mail: mandik@mandik.cz
www.mandik.com

The producer reserves the right for innovations of the product. For actual product information see
www.mandik.com