

Technical Data Sheet

CODE 11137

MF 150/6" T LL

Wall axial fans



Certifications

CE CE

EAC EAC

G-Mark G-Mark

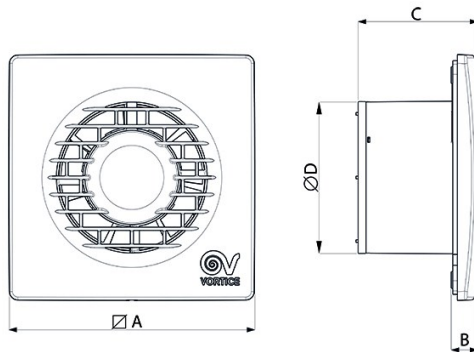
UKCA UKCA

CB TEST CERTIFICATE

TECHNICAL AND PERFORMANCE DATA

Frequency (Hz)	50	Voltage (V)	220-240
Insulation class	II°	Weight (Kg)	0,98
IP	X4	Max airflow (l/s)	93
Max absorbed current (A)	0,15	Max airflow (m³/h)	335
Max absorbed power (W)	28	Max pressure (mmH2O)	6
Max ambient temperature for continuous operation (°C)	50	Max pressure (Pa)	59
Nominal diameter (mm)	150	RPM	2100
		Sound pressure Lp [dB (A)] at 3 m	40,1

DIMENSIONS



Size A (mm)	214
Size B (mm)	17
Size C (mm)	96
Size D (mm)	156

PER INFORMAZIONI / FOR INFORMATION

ITALY

Pre Sales:
prevendita@vortice-italy.com
After Sales:
postvendita@vortice-italy.com

UNITED KINGDOM & REP. OF

IRELAND
Sales Dept:
sales@vortice.ltd.uk
Technical Dept:
technical@vortice.ltd.uk

OTHER COUNTRIES

Sales Dept:
export@vortice-italy.com
After Sales:
after-sales@vortice-italy.com

Technical Data Sheet

CODE 11137

MF 150/6" T LL

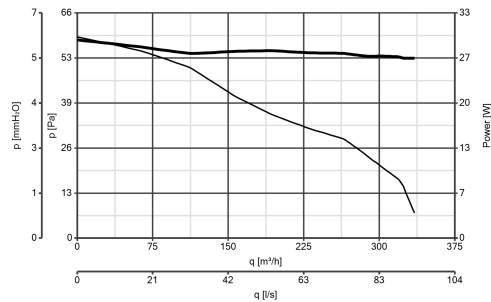
Wall axial fans



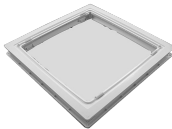
DESCRIPTION

- Material: UV resistant plastic (prevents ageing caused by exposure to sunlight).
- Nominal diameter 150 mm.
- Motor protected against thermal overload, with shaft turning in ball bearings, coupled to screw type thermoplastic impeller with wing profile blades.
- Maximum air flow: 335 m³/h.
- Equipped with electronic timer designed to shut off the motor automatically after a set interval, selectable during installation in the range 3'-20' (default setting 3').
- Non-return damper fitted to outlet port.
- Vortice speed controller.

CURVES



ACCESSORIES



SF 150

Code 22164

PER INFORMAZIONI / FOR INFORMATION

ITALY

Pre Sales:
prevendita@vortice-italy.com
After Sales:
postvendita@vortice-italy.com

OTHER COUNTRIES

Sales Dept:
export@vortice-italy.com
After Sales:
after-sales@vortice-italy.com

UNITED KINGDOM & REP. OF

IRELAND

Sales Dept:
sales@vortice.ltd.uk
Technical Dept:
technical@vortice.ltd.uk