

# Technical Data Sheet

CODE 11136

## MF 120/5" T LL

Wall axial fans



### Certifications

CE CE

EAC EAC

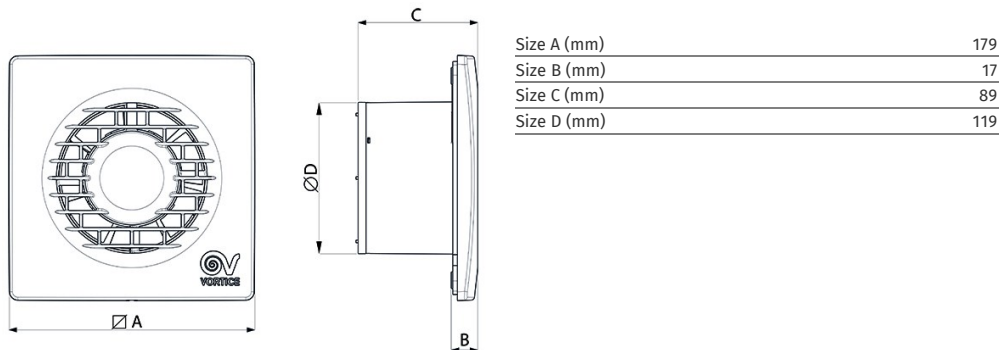
UKCA UKCA

CB TEST CERTIFICATE

### TECHNICAL AND PERFORMANCE DATA

Frequency (Hz)	50	Voltage (V)	220-240
Insulation class	II°	Weight (Kg)	0,62
IP	X4	Max airflow (l/s)	49
Max absorbed current (A)	0,12	Max airflow (m³/h)	175
Max absorbed power (W)	20	Max pressure (mmH2O)	5
Max ambient temperature for continuous operation (°C)	50	Max pressure (Pa)	49
Nominal diameter (mm)	120	RPM	2150
		Sound pressure Lp [dB (A)] at 3 m	34,4

### DIMENSIONS



### PER INFORMAZIONI / FOR INFORMATION

#### ITALY

Pre Sales:  
prevendita@vortice-italy.com  
After Sales:  
postvendita@vortice-italy.com

#### UNITED KINGDOM & REP. OF

IRELAND  
Sales Dept:  
sales@vortice.ltd.uk  
Technical Dept:  
technical@vortice.ltd.uk

#### OTHER COUNTRIES

Sales Dept:  
export@vortice-italy.com  
After Sales:  
after-sales@vortice-italy.com

# Technical Data Sheet

CODE 11136

## MF 120/5" T LL

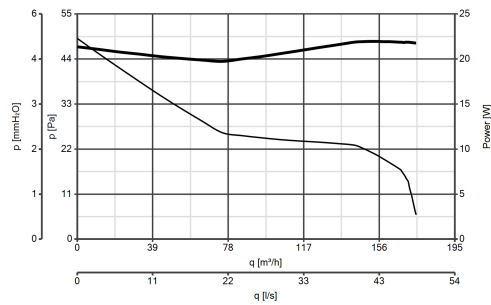
Wall axial fans



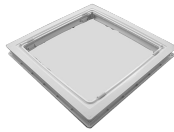
### DESCRIPTION

- Material: UV resistant plastic (prevents ageing caused by exposure to sunlight).
- Nominal diameter 120 mm.
- Motor protected against thermal overload, with shaft turning in ball bearings, coupled to screw type thermoplastic impeller with wing profile blades.
- Maximum air flow: 175 m<sup>3</sup>/h.
- Equipped with electronic timer designed to shut off the motor automatically after a set interval, selectable during installation in the range 3'-20' (default setting 3').
- Non-return damper fitted to outlet port.

### CURVES



### ACCESSORIES



#### SF 120

Code 22163

### PER INFORMAZIONI / FOR INFORMATION

#### ITALY

Pre Sales:  
[prevendita@vortice-italy.com](mailto:prevendita@vortice-italy.com)  
After Sales:  
[postvendita@vortice-italy.com](mailto:postvendita@vortice-italy.com)

#### OTHER COUNTRIES

Sales Dept:  
[export@vortice-italy.com](mailto:export@vortice-italy.com)  
After Sales:  
[after-sales@vortice-italy.com](mailto:after-sales@vortice-italy.com)

#### UNITED KINGDOM & REP. OF

#### IRELAND

Sales Dept:  
[sales@vortice.ltd.uk](mailto:sales@vortice.ltd.uk)  
Technical Dept:  
[technical@vortice.ltd.uk](mailto:technical@vortice.ltd.uk)