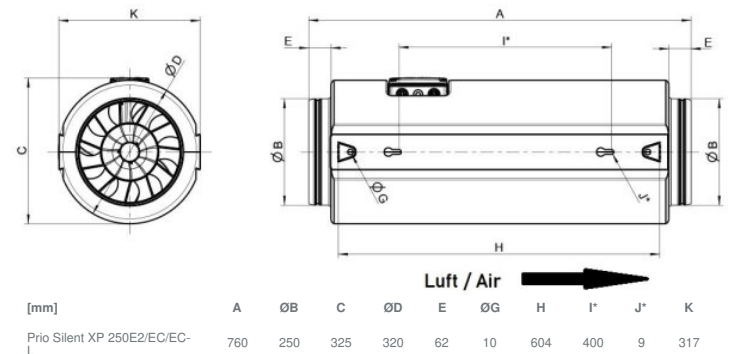




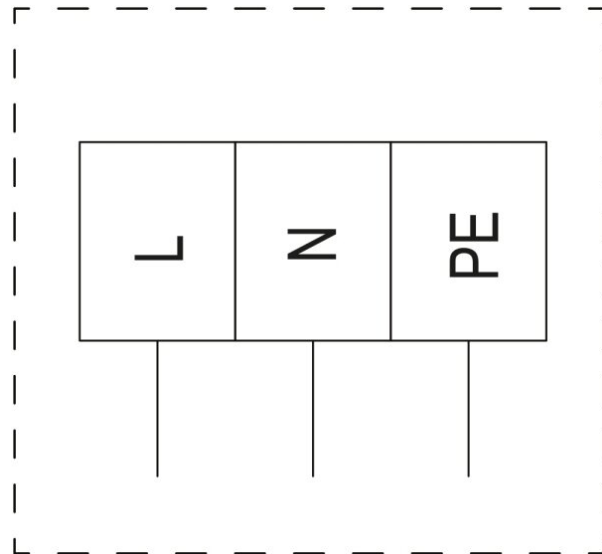
## Technical parameters

Nominal data	
Voltage (nominal)	230 V
Frequency	50 Hz
Phases	1~
Input power	236 W
Input current	1.03 A
Impeller speed	2,594 rpm
Air flow	max 2,039 m <sup>3</sup> /h
Specific ratio	1
Temperature of transported air	max 55 °C
Max temperature of transported air, when speed controlled	55 °C
Sound data	
Sound pressure level at 1m	43 dB(A)
Protection/Classification	
Enclosure class, motor	IP44
Insulation class	F
Data according to ErP	
ErP ready	ErP 2018
Dimensions and weights	
Duct dimension; Circular, inlet	250 mm
Duct dimension; Circular, outlet	250 mm
Weight	8.07 kg
Others	
Motor type	AC

## Dimension



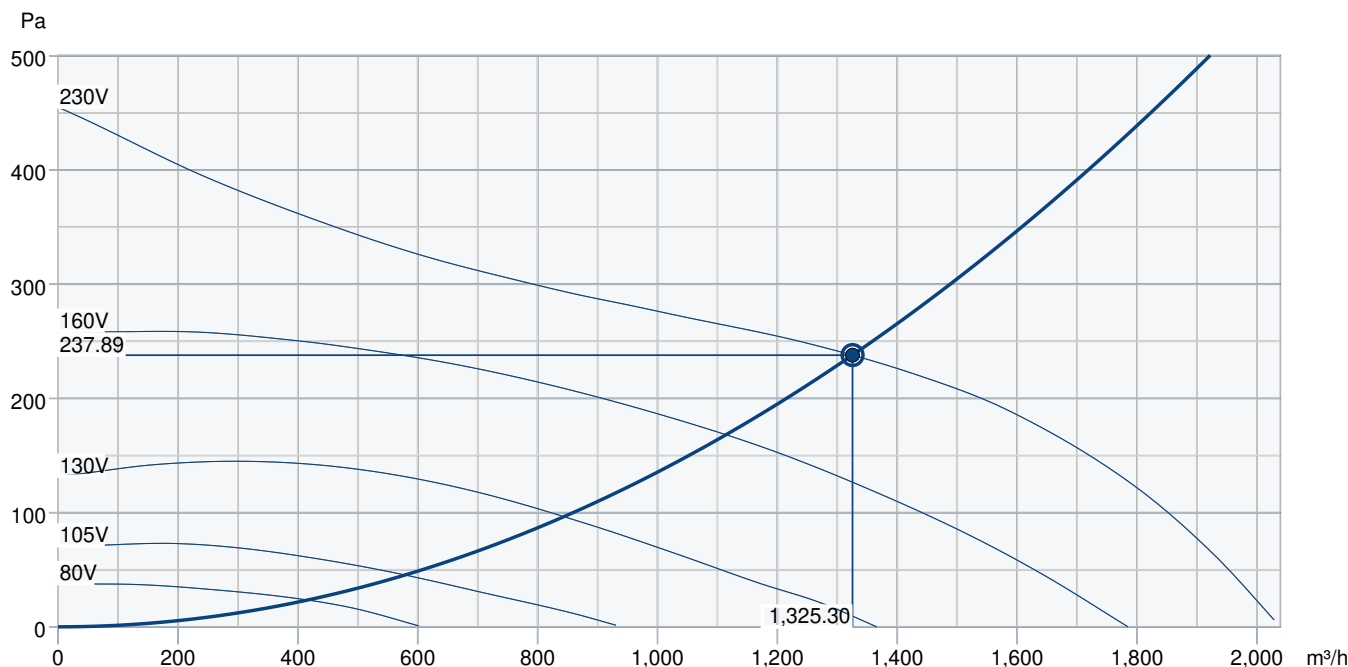
## Wiring



Function / assignment

L	Power supply 230V AC, 50...60Hz
N	Neutral conductor
PE	Protective conductor
Speed control:	Voltage controllable (See accessories in our online catalogue)
Motor protection:	By integrated thermal contacts

## Performance curve



Hydraulic data										
Required air flow	1,325 m³/h									
Required static pressure	238 Pa									
Working air flow	1,325 m³/h									
Working static pressure	238 Pa									
Air density	1.204 kg/m³									
Power	201.0 W									
Fan control - RPM	2,693 rpm									
Current	0.80 A									
SFP	0.546 kW/m³/s									
Control voltage	230.0 V									
Supply voltage	230 V									
Sound power level		63	125	250	500	1k	2k	4k	8k	Total
Inlet	dB(A)	22	41	53	59	66	59	53	47	68
Outlet	dB(A)	23	43	55	60	68	60	54	49	69
Surrounding	dB(A)	13	15	29	42	53	44	32	25	54
Sound pressure level at 3m (20m² Sabine)	dB(A)	-	-	-	-	-	-	-	-	47
Sound pressure level at 3m free field	dB(A)	-	-	-	-	-	-	-	-	33
Accessories										

## Accessories

Frequency converter FRQ5SE-6A (37421)  
 REE 1 Speed control (5314)  
 RETP 6 Temp/Pressure regulator (32293)  
 REV-3POL/03-7.5kW R/Y (33978)  
 VKK-250 Back draft damper (1627)  
 CO2RT-R-D Transmitter (6993)  
 Frequency converter FRQSE-6A (37419)  
 Presence detector/IR24-P (6995)  
 T 120 Timer (5165)  
 CB 250-9,0 400V/3 Duct heater (5373)  
 CWK 250-3-2,5 Duct cooler,circ (30024)  
 FGR 250 Filter cassette (1815)  
 LDC 250-900 Silencer (5196)  
 VBC 250-2 Water heating batt (5460)  
 VBF 250 Water heating battery (1733)  
 VK-25 Louvre shutter (87687)  
 Room hygrostat HR-S (286251)

RE 1,5 Speed control (5000)  
 REPT 6 Digital regulator (5698)  
 REU 1.5 Speed control (5004)  
 SG 250 Protection guard (5610)  
 CB 250-6,0 400V/2 Duct heater (5372)  
 DTV500A (96807)  
 HR1 Room Humidistat (215150)  
 RT 0-30 Room Thermostat (5151)  
 CB 250-3,0 230V/1 Duct heater (5385)  
 CBM 250-6,0 400V/2 Duct heater (9089)  
 FFR 250 Filter cassette (1776)  
 FK 250 Fast clamp (1612)  
 RSK-250 Back draft damper (5603)  
 VBC 250-3 Water heating batt (9843)  
 VK-25 Louvre shutter (5640)  
 IGC-250 Intake grille (76878)

## Documents

imo\_prioair\_en\_003  
 EU DECLARATION OF CONFORMITY\_PRIOR\_PRIOR-XP\_EN\_007.PDF