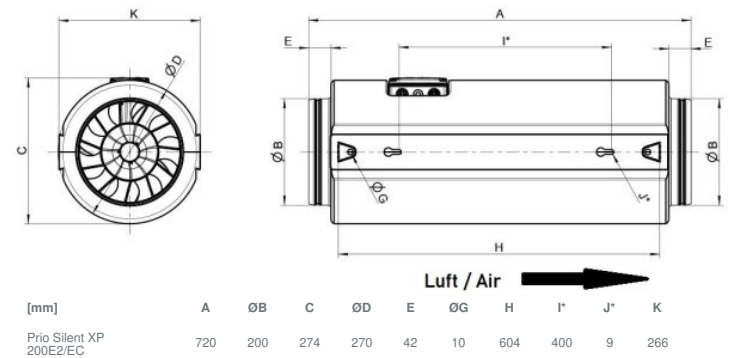




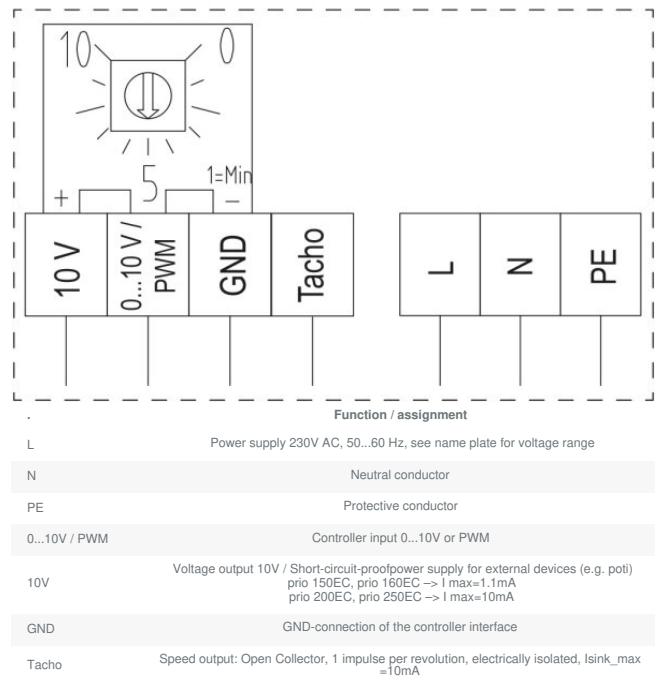
## Technical parameters

Nominal data	
Voltage (nominal)	230 V
Frequency	50; 60 Hz
Phases	1~
Input power	128 W
Input current	1.06 A
Impeller speed	3,493 rpm
Air flow	max 1,345 m³/h
Temperature of transported air	max 55 °C
Max temperature of transported air, when speed controlled	55 °C
Sound data	
Sound pressure level at 1m	46 dB(A)
Protection/Classification	
Enclosure class, motor	IP44
Insulation class	B
Data according to ErP	
ErP ready	Not ErP relevant
Dimensions and weights	
Duct dimension; Circular, inlet	200 mm
Duct dimension; Circular, outlet	200 mm
Weight	4.36 kg
Others	
Motor type	EC

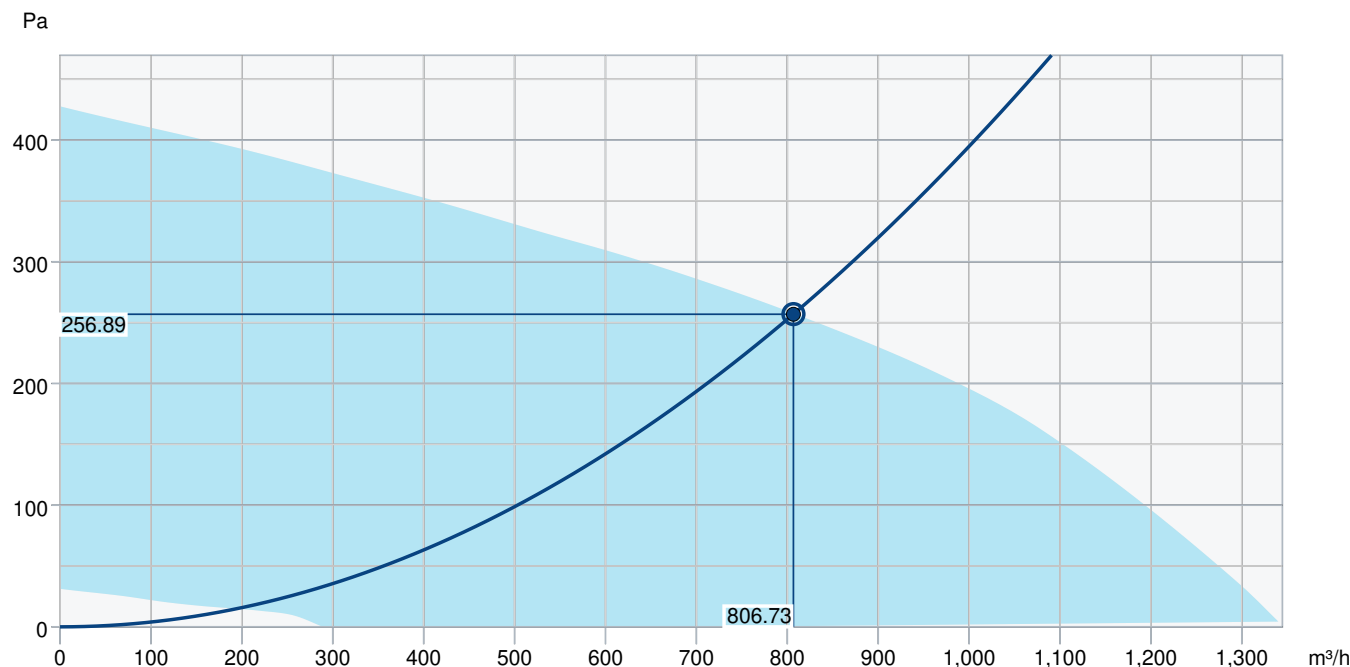
## Dimension



## Wiring



## Performance curve



Hydraulic data										
Required air flow	807 m³/h									
Required static pressure	257 Pa									
Working air flow	807 m³/h									
Working static pressure	257 Pa									
Air density	1.204 kg/m³									
Power	127.6 W									
Fan control - RPM	3,525 rpm									
Current	1.00 A									
SFP	0.569 kW/m³/s									
Control voltage	10.0 V									
Supply voltage	230 V									
Sound power level		63	125	250	500	1k	2k	4k	8k	Total
Inlet	dB(A)	28	40	44	58	62	58	48	46	65
Outlet	dB(A)	30	41	45	59	64	59	50	47	66
Surrounding	dB(A)	<10	<10	22	40	52	48	34	27	53
Sound pressure level at 3m (20m² Sabine)	dB(A)	-	-	-	-	-	-	-	-	46
Sound pressure level at 3m free field	dB(A)	-	-	-	-	-	-	-	-	32
Accessories										

## Accessories

CXE/AVC Modbus (37256)

EC-Basic-H humidity (24807)

EC-Basic-U universal 0-10V (24806)

EC-Vent Room Unit (3018)

MTV-1/010 Controller 0..10V+ (30650)

REV-3POL/03-7.5kW R/Y (33978)

Step switch S-5EC-2, 0-10V (449084)

CO2RT-R-D Transmitter (6993)

IGK-200 Wall Grid (1633)

RT 0-30 Room Thermostat (5151)

CB 200-2,1 230V/1 Duct heater (5384)

CB 200-3,0 400V/2 Duct heater (5294)

CBM 200-5,0 400V/2 Duct heater (5483)

FFR 200 Filter cassette (1773)

FK 200 Fast clamp (1611)

VBC 200-2 Water heating batt (5459)

VK-20 Louvre shutter (87686)

Room hygrostat HR-S (286251)

EC-Basic-CO2 and temperature (24808)

EC-Basic-T temperature (24805)

EC-Vent control board (3115)

MTP 10, 10K, Speed control (32731)

Potentiometer MTP 20, 0-10V (310220)

SG 200 Protection guard (5609)

VKK-200 Back draft damper (1626)

HR1 Room Humidistat (215150)

Presence detector/IR24-P (6995)

VBF 200 Water heating battery (1732)

CB 200-3,0 230V/1 Duct heater (5370)

CB 200-5,0 400V/2 Duct heater (5371)

CWK 200-3-2,5 Duct cooler,circ (30023)

FGR 200 Filter cassette (1812)

RSK-200 Back draft damper (5602)

VBC 200-3 Water heating batt (9841)

IGC-200 Intake grille (76877)

## Documents

imo\_prioair\_en\_003

EU DECLARATION OF CONFORMITY\_PRIO\_PRIO-XP\_EN\_007.PDF