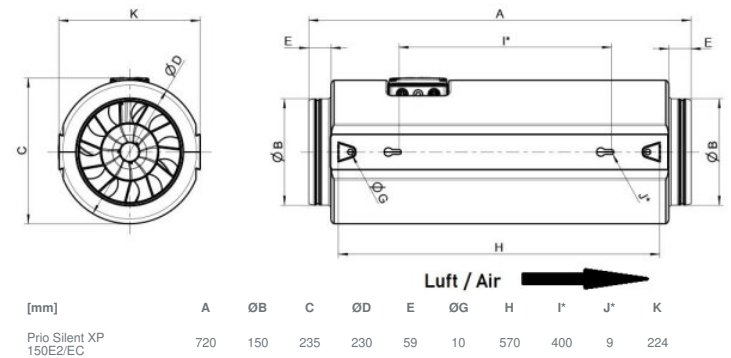




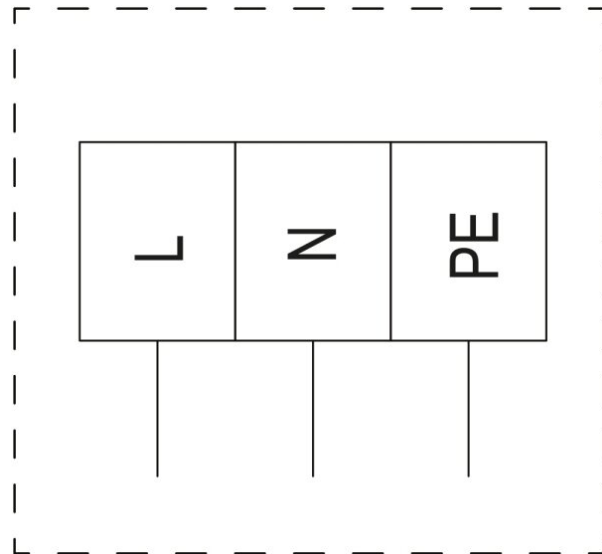
## Technical parameters

Nominal data	
Voltage (nominal)	230 V
Frequency	50 Hz
Phases	1~
Input power	28 W
Input current	0.13 A
Impeller speed	2,364 rpm
Air flow	max 420 m <sup>3</sup> /h
Temperature of transported air	max 55 °C
Max temperature of transported air, when speed controlled	55 °C
Sound data	
Sound pressure level at 1m	30 dB(A)
Protection/Classification	
Enclosure class, motor	IP44
Insulation class	F
Data according to ErP	
ErP ready	Not ErP relevant
Dimensions and weights	
Duct dimension; Circular, inlet	150 mm
Duct dimension; Circular, outlet	150 mm
Weight	3.24 kg
Others	
Motor type	AC

## Dimension

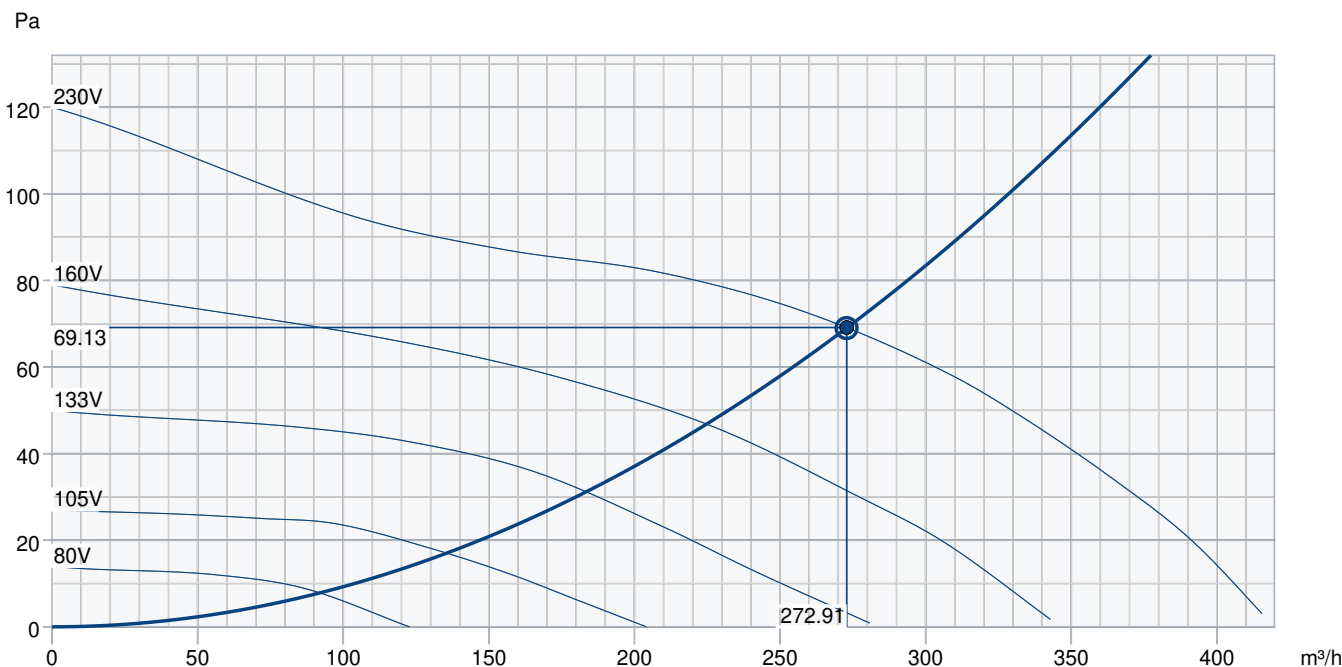


## Wiring



	Function / assignment
L	Power supply 230V AC, 50...60Hz
N	Neutral conductor
PE	Protective conductor
Speed control:	Voltage controllable (See accessories in our online catalogue)
Motor protection:	By integrated thermal contacts

## Performance curve



Hydraulic data										
Required air flow	273 m³/h									
Required static pressure	69 Pa									
Working air flow	273 m³/h									
Working static pressure	69 Pa									
Air density	1.204 kg/m³									
Power	27.1 W									
Fan control - RPM	2,395 rpm									
Current	0.10 A									
SFP	0.357 kW/m³/s									
Control voltage	230.0 V									
Supply voltage	230 V									
Sound power level		63	125	250	500	1k	2k	4k	8k	Total
Inlet	dB(A)	26	31	37	43	47	38	24	20	49
Outlet	dB(A)	27	32	38	44	48	39	25	21	51
Surrounding	dB(A)	16	<10	20	28	39	31	17	10	40
Sound pressure level at 3m (20m² Sabine)	dB(A)	-	-	-	-	-	-	-	-	33
Sound pressure level at 3m free field	dB(A)	-	-	-	-	-	-	-	-	19
Accessories										

## Accessories

[Frequency converter FRQ5SE-6A \(37421\)](#)  
[REE 1 Speed control \(5314\)](#)  
[RETP 6 Temp/Pressure regulator \(32293\)](#)  
[REV-3POL/03-7.5kW R/Y \(33978\)](#)  
[CO2RT-R-D Transmitter \(6993\)](#)  
[Frequency converter FRQSE-6A \(37419\)](#)  
[Presence detector/IR24-P \(6995\)](#)  
[T 120 Timer \(5165\)](#)  
[CB 150-2,1 230V/1 Duct heater \(5379\)](#)  
[CB 150-5,0 400V/2 Duct heater \(5381\)](#)  
[FFR 150 Filter cassette \(1769\)](#)  
[FK 150 Fast clamp \(1609\)](#)  
[RSK-150 Back draft damper \(5599\)](#)  
[Room hygrostat HR-S \(286251\)](#)

[RE 1,5 Speed control \(5000\)](#)  
[REPT 6 Digital regulator \(5698\)](#)  
[REU 1.5 Speed control \(5004\)](#)  
[SG 150 Protection guard \(5555\)](#)  
[DTV500A \(96807\)](#)  
[HR1 Room Humidistat \(215150\)](#)  
[RT 0-30 Room Thermostat \(5151\)](#)  
[CB 150-1,2 230V/1 Duct heater \(5378\)](#)  
[CB 150-2,7 230V/1 Duct heater \(5380\)](#)  
[CBM 150-2,1 230V/1 Duct heater \(5481\)](#)  
[FGR 150 Filter cassette \(1807\)](#)  
[LDC 150-600 Silencer \(5199\)](#)  
[VK-15 Louvre shutter \(87679\)](#)

## Documents

[imo\\_prioair\\_en\\_003](#)  
[EU DECLARATION OF CONFORMITY\\_PRIO\\_PRIO-XP\\_EN\\_007.PDF](#)