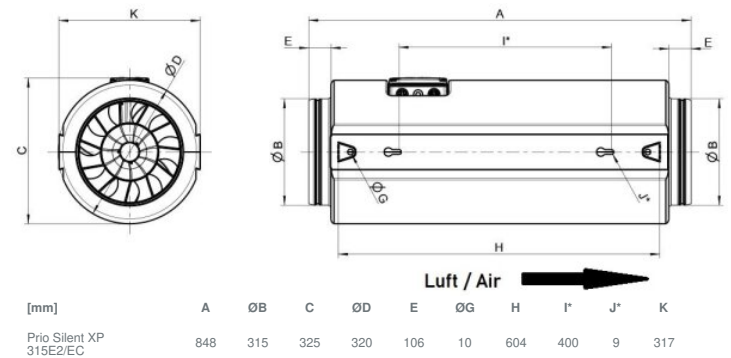




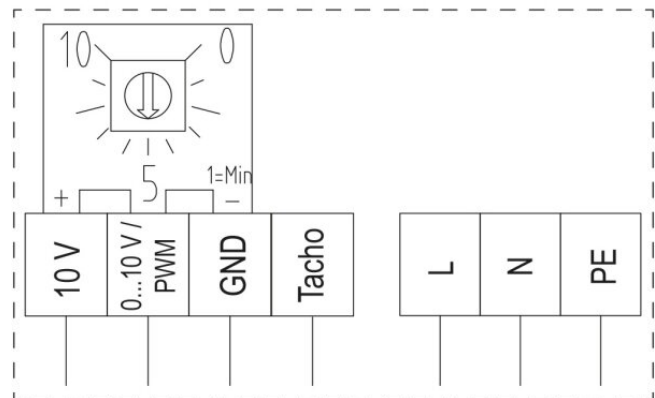
Technical parameters

Nominal data	
Voltage (nominal)	230 V
Frequency	50; 60 Hz
Phases	1~
Input power	174 W
Input current	1.45 A
Impeller speed	2,661 rpm
Air flow	max 2,224 m³/h
Specific ratio	1
Temperature of transported air	max 55 °C
Max temperature of transported air, when speed controlled	55 °C
Sound data	
Sound pressure level at 1m	43 dB(A)
Protection/Classification	
Enclosure class, motor	IP44
Insulation class	B
Dimensions and weights	
Duct dimension; Circular, inlet	315 mm
Duct dimension; Circular, outlet	315 mm
Weight	7.05 kg
Others	
Motor type	EC

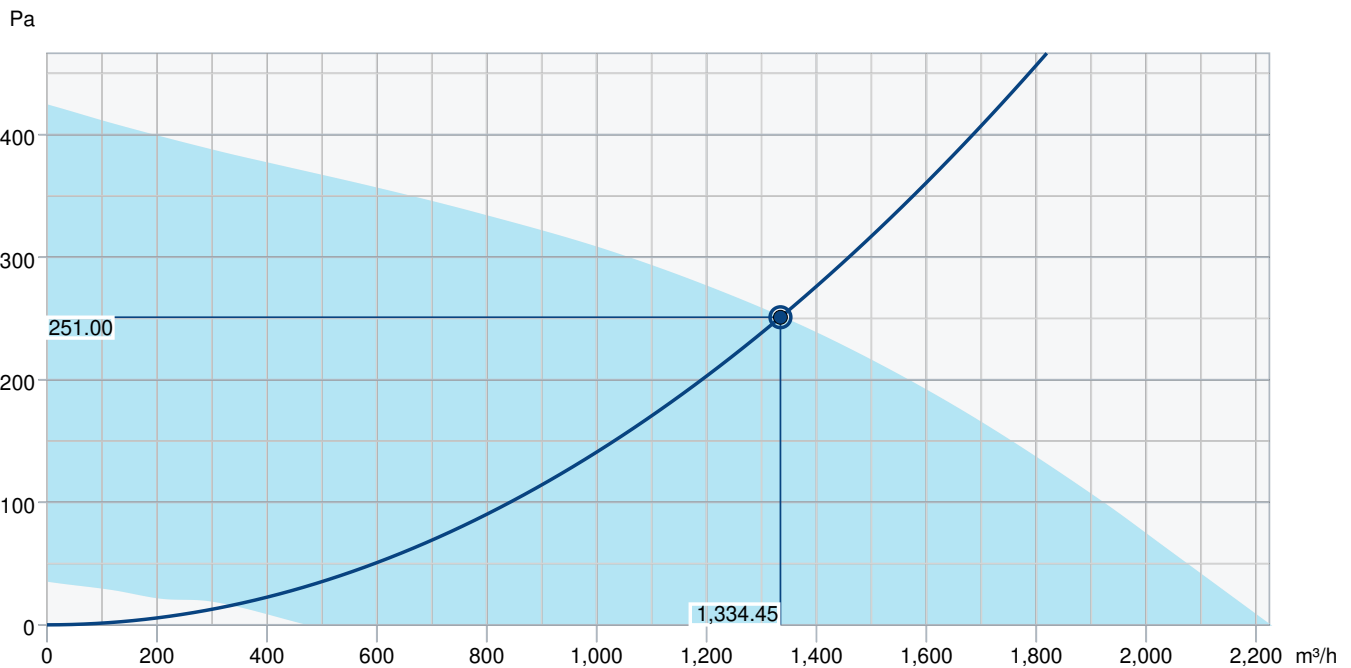
Dimension



Wiring



Performance curve



Hydraulic data

Required air flow	1,334 m³/h
Required static pressure	251 Pa
Working air flow	1,334 m³/h
Working static pressure	251 Pa
Air density	1.204 kg/m³
Power	173.0 W
Fan control - RPM	2,673 rpm
Current	1.40 A
SFP	0.467 kW/m³/s
Control voltage	10.0 V
Supply voltage	230 V

Sound power level		63	125	250	500	1k	2k	4k	8k	Total
Inlet	dB(A)	23	41	55	59	67	58	53	47	69
Outlet	dB(A)	24	42	56	61	68	60	55	48	70
Surrounding	dB(A)	<10	17	31	43	52	43	34	25	53
Sound pressure level at 3m (20m² Sabine)	dB(A)	-	-	-	-	-	-	-	-	46
Sound pressure level at 3m free field	dB(A)	-	-	-	-	-	-	-	-	32

Accessories

CXE/AVC Modbus (37256)
 EC-Basic-H humidity (24807)
 EC-Basic-U universal 0-10V (24806)
 EC-Vent Room Unit (3018)
 MTV-1/010 Controller 0..10V+ (30650)
 REV-3POL/03-7.5kW R/Y (33978)
 Step switch S-5EC-2, 0-10V (449084)
 CB 315-6,0 400V/2 Duct heater (5374)
 Presence detector/IR24-P (6995)
 CB 315-3,0 230V/1 Duct heater (5386)
 CBM 315-6,0 400V/2 Duct heater (9091)
 FGR 315 Filter cassette (1818)
 LDC 315-900 Silencer (5197)
 VBC 315-2 Water heating batt (5461)
 VBF 315 Water heating battery (1734)
 IGC-315 Intake grille (76879)

EC-Basic-CO2 and temperature (24808)
 EC-Basic-T temperature (24805)
 EC-Vent control board (3115)
 MTP 10, 10K, Speed control (32731)
 Potentiometer MTP 20, 0-10V (310220)
 SG 315 Protection guard (5611)
 VKK-315 Back draft damper (1628)
 CO2RT-R-D Transmitter (6993)
 RT 0-30 Room Thermostat (5151)
 CB 315-9,0 400V/3 Duct heater (5375)
 FFR 315 Filter cassette (1779)
 FK 315 Fast clamp (1613)
 RSK-315 Back draft damper (5604)
 VBC 315-3 Water heating batt (9844)
 VK-30 Louvre shutter (87688)

Documents

imo_prioair_en_003
 EU DECLARATION OF CONFORMITY_PRIO_PRIO-XP_EN_007.PDF