

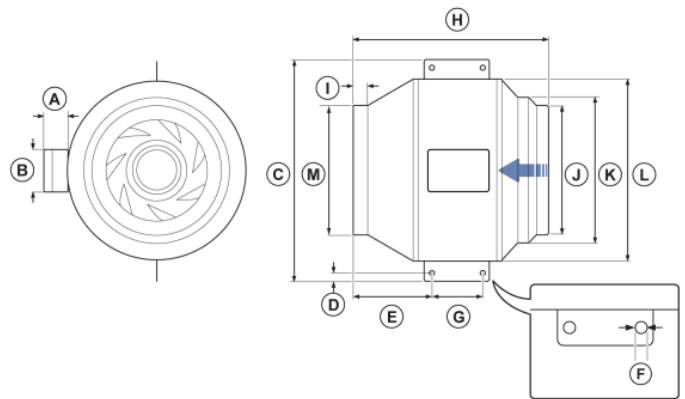


## Technical parameters

Nominal data	
Voltage (nominal)	400 V
Frequency	50 Hz
Phases	3~
Input power	1,345 W
Input current	3.1 A
Impeller speed	1,421 rpm
Air flow	max ; 8,251; m <sup>3</sup> /h
Temperature of transported air	max 70 °C
Max temperature of transported air, when speed controlled	70 °C
Sound data	
Sound pressure level at 3m (20m <sup>2</sup> Sabin)	63 dB(A)
Protection/Classification	
Enclosure class, motor	IP54
Insulation class	F
Data according to ErP	
ErP ready	ErP 2018
Dimensions and weights	
Duct dimension; Circular, inlet	500 mm
Duct dimension; Circular, outlet	500 mm
Weight	34.7 kg
Others	
Duct connection type	Circular
Motor type	AC

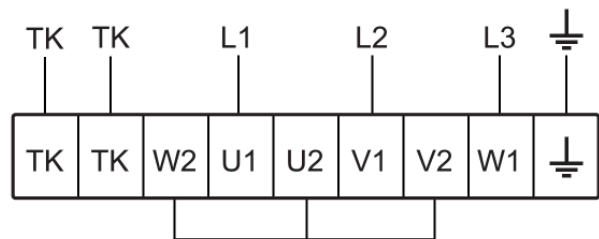
## Dimension

A	B	C	D	E	ØF	G	H	I	ØJ	ØK	ØM	
65	107	812	18,5	270	12	100	643	46	450	500	660	500

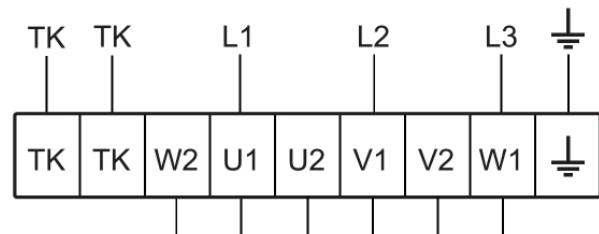


## Wiring

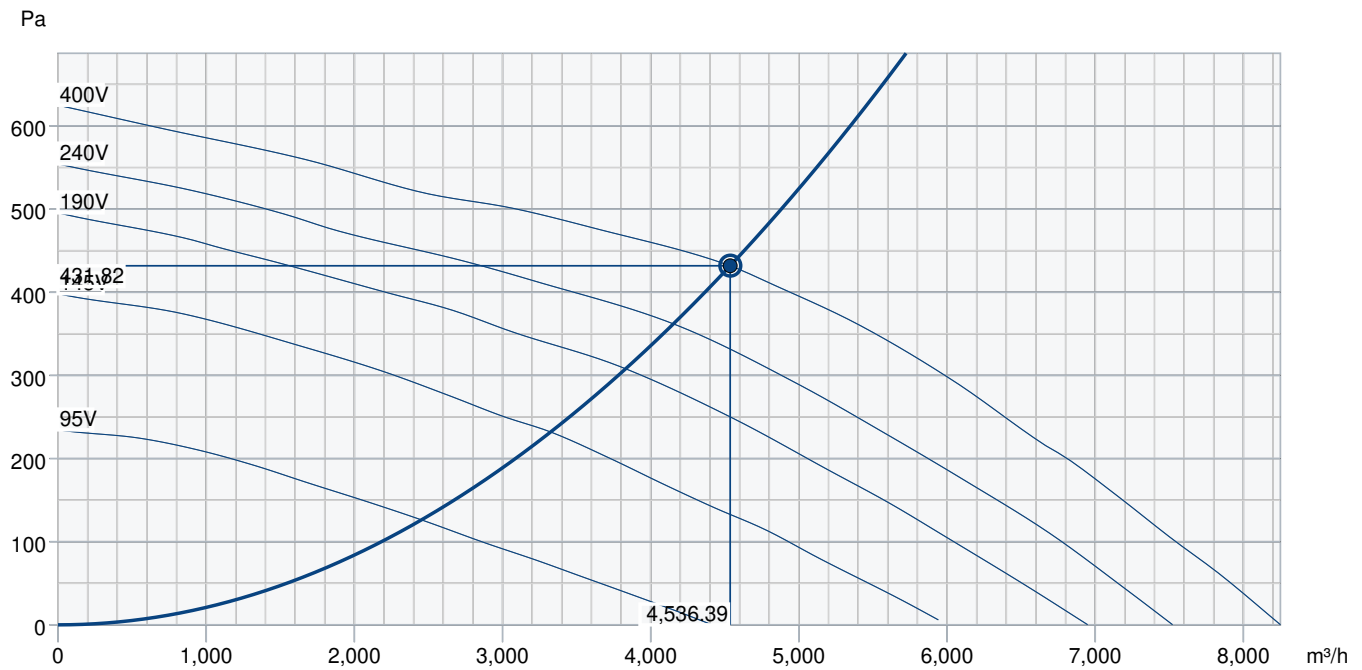
400V 3~



230V 3~



# Performance curve



Hydraulic data										
Required air flow										4,537 m³/h
Required static pressure										432 Pa
Working air flow										4,536 m³/h
Working static pressure										432 Pa
Air density										1.204 kg/m³
Power										1,257.0 W
Fan control - RPM										1,427 rpm
Current										3.00 A
SFP										0.998 kW/m³/s
Control voltage										400.0 V
Supply voltage										400 V
Sound power level		63	125	250	500	1k	2k	4k	8k	Total
Inlet	dB(A)	66	78	79	79	75	74	68	60	85
Outlet	dB(A)	58	78	76	82	83	77	72	64	87
Surrounding	dB(A)	32	63	63	64	63	60	49	41	70
Sound pressure level at 3m (20m² Sabine)	dB(A)	-	-	-	-	-	-	-	-	63
Sound pressure level at 3m free field	dB(A)	-	-	-	-	-	-	-	-	49
Accessories										

## Accessories

- Motor protect. switch S-DT 16 (161206)
- REV-5POL/07-7.5kW R/Y (33980)
- RTRD 4 Speed cont. Systemair (5942)
- SG 500 Protection guard (5615)
- HR1 Room Humidistat (215150)
- RT 0-30 Room Thermostat (5151)
- T 120 Timer (5165)
- VBC 500-2 Water heating batt (9837)

- Motor protect. switch S-DT 16E (161207)
- RSK-500 Back draft damper (73049)
- RTRDU 4 Speed contr. Systemair (5946)
- CO2RT-R-D Transmitter (6993)
- Presence detector/IR24-P (6995)
- Safety switch 3-pole grey (210680)
- FK 500 Fast clamp (1617)
- Room hygrostat HR-S (286251)

## Documents

- INSTALLATION\_OPERATION\_AND\_MAINTENANCE\_INSTRUCTION\_K\_KV\_PRIO\_273896\_EN\_008.PDF
- COMMISSIONING\_RECCORD\_FANS\_EN.PDF