

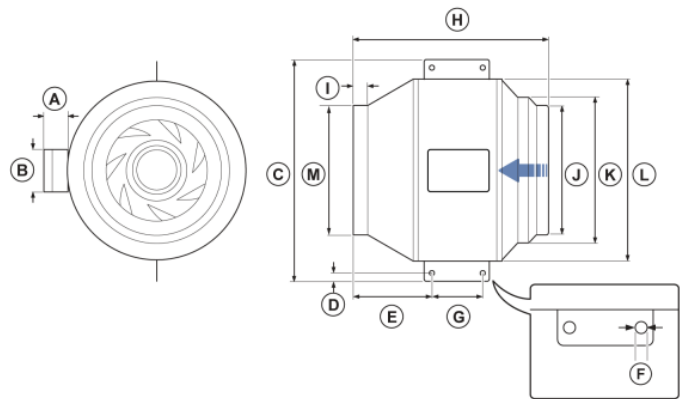


Technical parameters

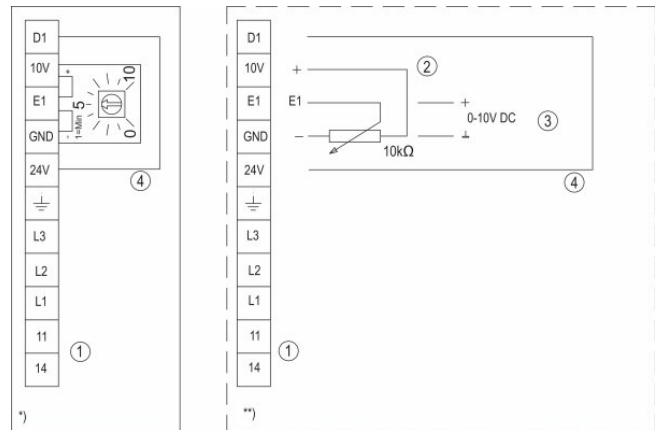
Nominal data	
Voltage (nominal)	400 V
Frequency	50; 60 Hz
Phases	3~
Input power	2,479 W
Input current	3.79 A
Impeller speed	1,768 rpm
Air flow	max ; 10,736; m ³ /h
Temperature of transported air	max 40 °C
Max temperature of transported air, when speed controlled	40 °C
Sound data	
Sound pressure level at 3m (20m ² Sabin)	74 dB(A)
Protection/Classification	
Enclosure class, motor	IP54
Insulation class	F
Data according to ErP	
ErP ready	ErP 2018
Dimensions and weights	
Duct dimension; Circular, inlet	500 mm
Weight	36.8 kg
Others	
Motor type	EC

Dimension

A	B	C	D	E	ØF	G	H	I	ØJ	ØK	ØL	ØM
65	107	812	18,5	265	12	100	643	46	450	500	660	500



Wiring



*) = Internal potentiometer

**) = External speed control

1 11 & 14 = Alarm

For operation the relay is energized, connections "11" and "14" are bridged.

For fault the relay is de-energized (Diagnostics/faults).

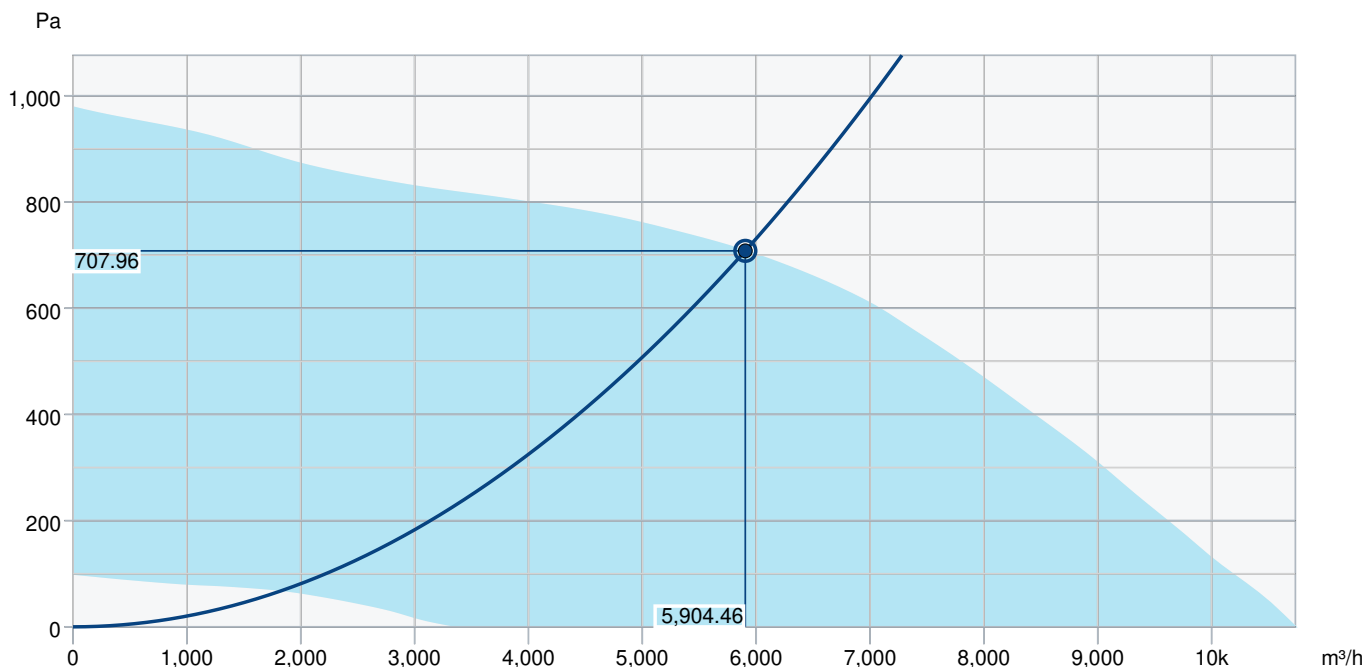
Contact rating max. AC 250V 2A.

2 External potentiometer

3 External input DC 0...10V

4 External ON / OFF control via potential free contact

Performance curve



Hydraulic data	
Required air flow	5,905 m³/h
Required static pressure	708 Pa
Working air flow	5,904 m³/h
Working static pressure	708 Pa
Air density	1.204 kg/m³
Power	2,298.5 W
Fan control - RPM	1,772 rpm
Current	3.47 A
SFP	1.401 kW/m³/s
Control voltage	10.0 V
Supply voltage	400 V

Sound power level		63	125	250	500	1k	2k	4k	8k	Total
Inlet	dB(A)	71	80	85	85	84	81	74	64	90
Outlet	dB(A)	66	78	82	87	88	84	77	68	92
Surrounding	dB(A)	34	53	72	76	78	70	60	43	81
Sound pressure level at 3m (20m² Sabine)	dB(A)	-	-	-	-	-	-	-	-	74
Sound pressure level at 3m free field	dB(A)	-	-	-	-	-	-	-	-	60

Accessories

CXE/AVC Modbus (37256)

EC-Basic-H humidity (24807)

EC-Basic-U universal 0-10V (24806)

EC-Vent control board (3115)

MTP 10, 10K, Speed control (32731)

Potentiometer MTP 20, 0-10V (310220)

RSK-500 Back draft damper (73049)

Step switch S-5EC-2, 0-10V (449084)

HR1 Room Humidistat (215150)

RT 0-30 Room Thermostat (5151)

FK 500 Fast clamp (1617)

Room hygrostat HR-S (286251)

EC-Basic-CO2 and temperature (24808)

EC-Basic-T temperature (24805)

EC-Selector (9908)

EC-Vent Room Unit (3018)

MTV-1/010 Controller 0..10V+ (30650)

REV-5POL/05-7,5kW R/Y (33979)

SG 500 Protection guard (5615)

CO2RT-R-D Transmitter (6993)

Presence detector/IR24-P (6995)

Safety switch 3-pole grey (210680)

VBC 500-2 Water heating batt (9837)

Documents

INSTALLATION_OPERATION_AND_MAINTENANCE_INSTRUCTION_K_KV_PRIO_273896_EN_008.PDF

COMMISSIONING_RECCORD_FANS_EN.PDF