

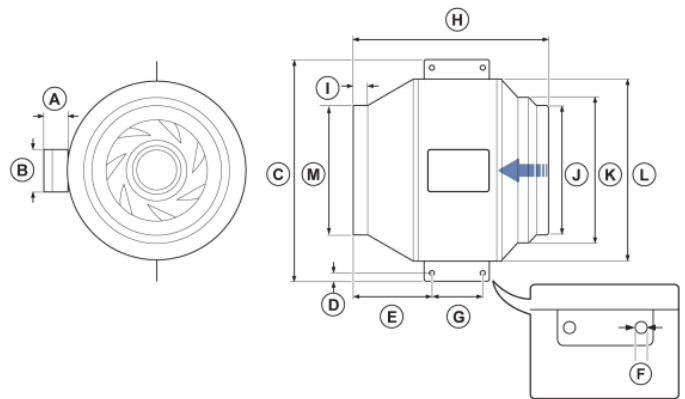


Technical parameters

Nominal data	
Voltage (nominal)	400 V
Frequency	50 Hz
Phases	3~
Input power	1,357 W
Input current	3.12 A
Impeller speed	1,421 rpm
Air flow	max ; 8,176; m ³ /h
Temperature of transported air	max 70 °C
Max temperature of transported air, when speed controlled	70 °C
Sound data	
Sound pressure level at 3m (20m ² Sabin)	64 dB(A)
Protection/Classification	
Enclosure class, motor	IP54
Insulation class	F
Data according to ErP	
ErP ready	ErP 2018
Dimensions and weights	
Duct dimension; Circular, inlet	450 mm
Duct dimension; Circular, outlet	450 mm
Weight	35.2 kg
Others	
Duct connection type	Circular
Motor type	AC

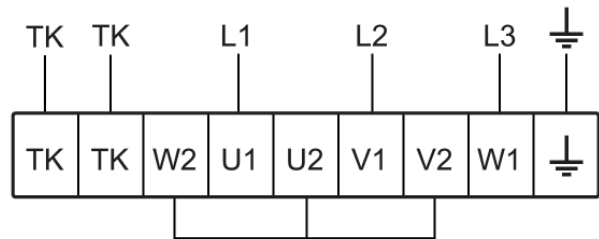
Dimension

A	B	C	D	E	ØF	G	H	I	ØJ	ØK	ØL	ØM
65	107	812	18,5	315	12	100	686	46	450	500	660	450

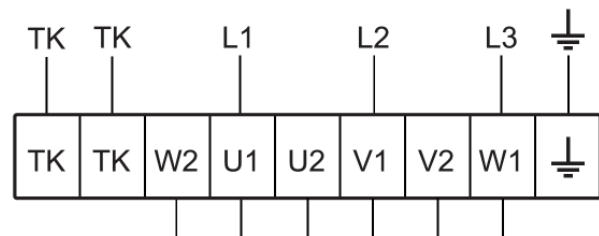


Wiring

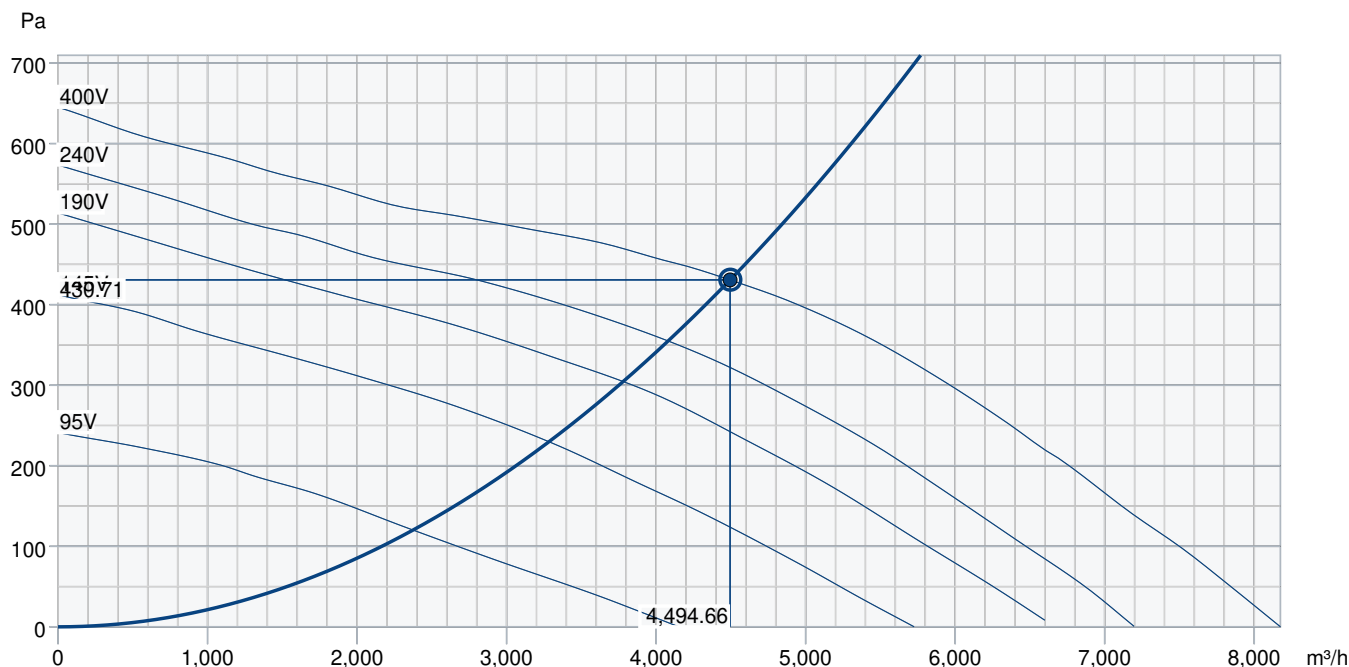
400V 3~



230V 3~



Performance curve



Hydraulic data

Required air flow	4,496 m³/h
Required static pressure	431 Pa
Working air flow	4,495 m³/h
Working static pressure	431 Pa
Air density	1.204 kg/m³
Power	1,236.5 W
Fan control - RPM	1,429 rpm
Current	2.99 A
SFP	0.990 kW/m³/s
Control voltage	400.0 V
Supply voltage	400 V

Sound power level		63	125	250	500	1k	2k	4k	8k	Total
Inlet	dB(A)	66	79	79	80	78	75	69	62	86
Outlet	dB(A)	61	78	78	82	85	78	72	64	88
Surrounding	dB(A)	28	63	63	65	67	62	52	43	71
Sound pressure level at 3m (20m² Sabine)	dB(A)	-	-	-	-	-	-	-	-	64
Sound pressure level at 3m free field	dB(A)	-	-	-	-	-	-	-	-	50

Accessories

Motor protect. switch S-DT 16 (161206)
 REV-5POL/07-7.5kW R/Y (33980)
 RTRD 4 Speed cont. Systemair (5942)
 SG 450 Protection guard (5614)
 FK 450 Fast clamp (1616)

Motor protect. switch S-DT 16E (161207)
 RSK-450 Back draft dmp. (9768)
 RTRDU 4 Speed contr. Systemair (5946)
 Safety switch 3-pole grey (210680)
 VK-45 Louvre shutter (5645)

Documents

INSTALLATION_OPERATION_AND_MAINTENANCE_INSTRUCTION_K_KV_PRIO_273896_EN_008.PDF
 COMMISSIONING_RECCORD_FANS_EN.PDF