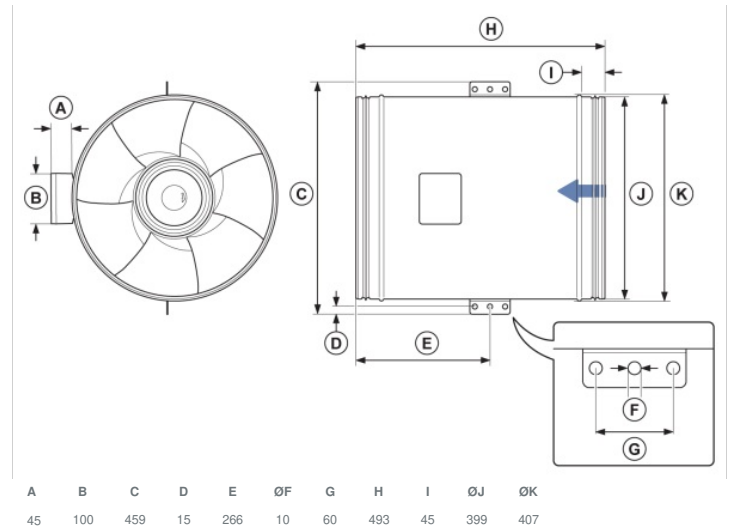




Technical parameters

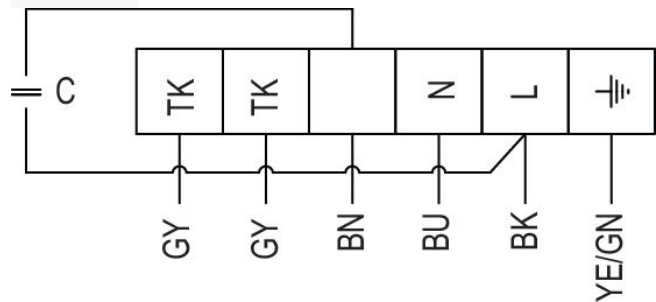
Nominal data	
Voltage (nominal)	230 V
Frequency	50 Hz
Phases	1~
Input power	332 W
Input current	1.74 A
Impeller speed	1,363 rpm
Air flow	max ; 4,424; m ³ /h
Capacitance of capacitor	6 µF
Temperature of transported air	max 50 °C
Max temperature of transported air, when speed controlled	50 °C
Sound data	
Sound pressure level at 3m (20m ² Sabin)	51 dB(A)
Protection/Classification	
Enclosure class, motor	IP44
Insulation class	F
Data according to ErP	
ErP ready	ErP 2018
Dimensions and weights	
Duct dimension; Circular, inlet	400 mm
Duct dimension; Circular, outlet	400 mm
Weight	13.5 kg
Others	
Duct connection type	Circular
Motor type	AC

Dimension

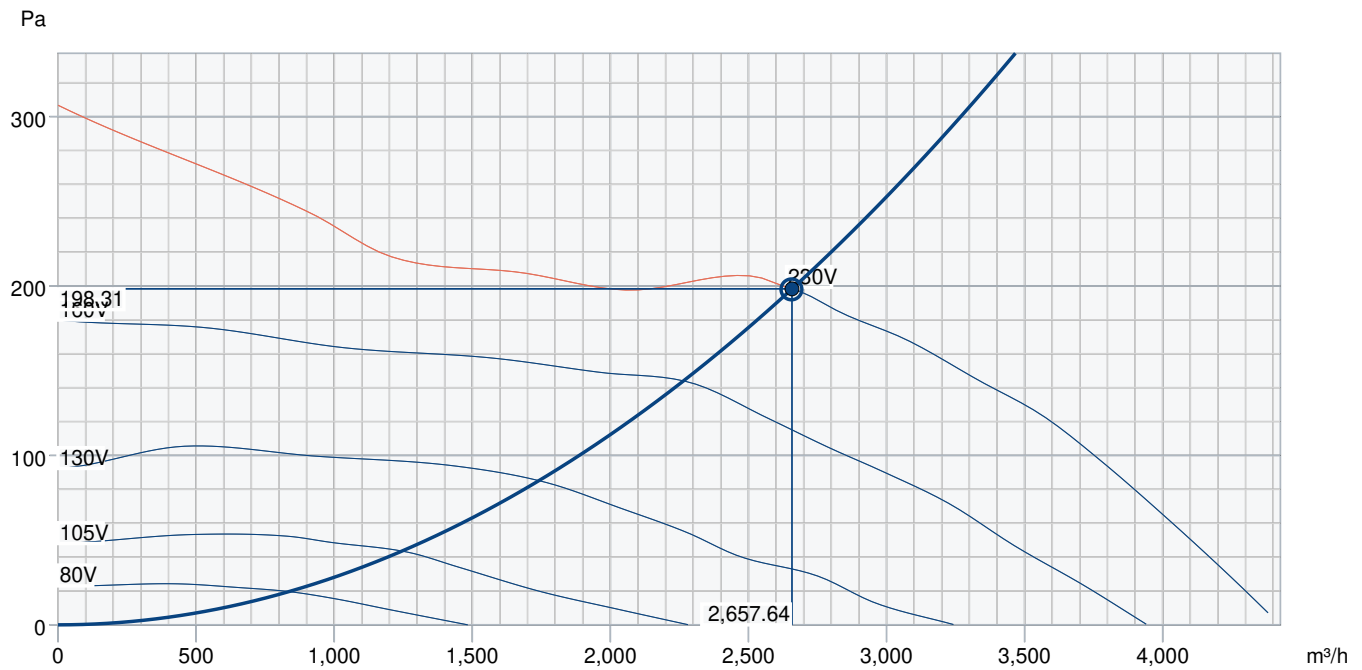


Wiring

Sign	Color
YE	Yellow
BU	Blue
GN	Green
BN	Brown
BK	Black
GY	Grey



Performance curve



Hydraulic data										
Required air flow	2,656 m³/h									
Required static pressure	198 Pa									
Working air flow	2,658 m³/h									
Working static pressure	198 Pa									
Air density	1.204 kg/m³									
Power	322.9 W									
Fan control - RPM	1,370 rpm									
Current	1.70 A									
SFP	0.437 kW/m³/s									
Control voltage	230.0 V									
Supply voltage	230 V									
Sound power level		63	125	250	500	1k	2k	4k	8k	Total
Inlet	dB(A)	54	67	67	68	69	66	59	50	75
Outlet	dB(A)	56	66	74	69	70	65	59	48	77
Surrounding	dB(A)	31	47	53	54	49	44	39	21	58
Sound pressure level at 3m (20m² Sabine)	dB(A)	-	-	-	-	-	-	-	-	51
Sound pressure level at 3m free field	dB(A)	-	-	-	-	-	-	-	-	37
Accessories										

Accessories

- Frequency converter FRQ5SE-6A (37421)
- Motor protect. switch S-ET 10E (161205)
- REE 2 Speed control (5316)
- REU 3 Speed control (5005)
- RTRE 3 Speed control (5009)
- VKK-400 Back draft damper (1629)
- DTV500A (96807)
- HR1 Room Humidistat (215150)
- RT 0-30 Room Thermostat (5151)
- T 120 Timer (5165)
- CB 400-6,0 400V/2 Duct heater (5391)
- CBM 400-9,0 400V/3 Duct heater (5487)
- CWK 400-3-2,5 Duct cooler,circ (30026)
- FGR 400 Filter cassette (1823)
- LDC 400-900 Silencer (5198)
- VBC 400-2 Water heating batt (5462)
- VBF 400 Water heating battery (1736)
- Motor protect. switch S-ET 10 (161199)
- RE 3 Speed control (5001)
- REPT 6 Digital regulator (5698)
- REV-3POL/03-7,5kW R/Y (33978)
- SG 400 Protection guard (5613)
- CO2RT-R-D Transmitter (6993)
- Frequency converter FRQSE-6A (37419)
- Presence detector/IR24-P (6995)
- Safety switch 2-pole grey (210679)
- CB 400-12,0 400V/3 Duct heater (5393)
- CB 400-9,0 400V/3 Duct heater (5392)
- CBMF 400-9,0 400V/3 Duct heater (12511)
- FFR 400 Filter cassette (1783)
- FK 400 Fast clamp (1615)
- RSK-400 Back draft dmp. (9973)
- VBC 400-3 Water heating batt (9845)
- Room hygrostat HR-S (286251)

Documents

INSTALLATION_OPERATION_AND_MAINTENANCE_INSTRUCTION_K_KV_PPIO_273896_EN_008.PDF
 COMMISSIONING_RECCORD_FANS_EN.PDF