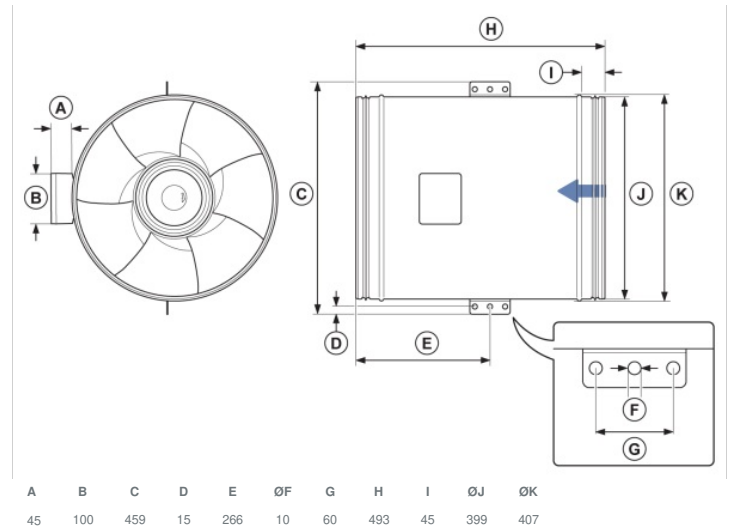




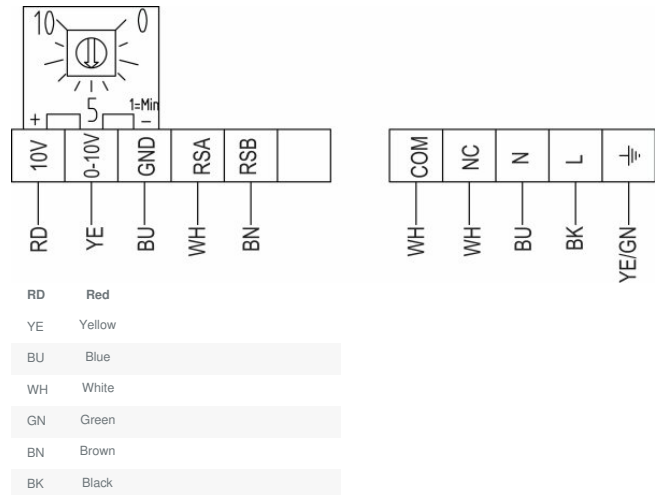
Technical parameters

Nominal data	
Voltage (nominal)	230 V
Frequency	50; 60 Hz
Phases	1~
Input power	748 W
Input current	3.26 A
Impeller speed	1,767 rpm
Air flow	max ; 6,289; m ³ /h
Temperature of transported air	max 55 °C
Max temperature of transported air, when speed controlled	55 °C
Sound data	
Sound pressure level at 3m (20m ² Sabin)	58 dB(A)
Protection/Classification	
Enclosure class, motor	IP44
Insulation class	F
Data according to ErP	
ErP ready	ErP 2018
Dimensions and weights	
Duct dimension; Circular, inlet	400 mm
Duct dimension; Circular, outlet	400 mm
Weight	13.36 kg
Others	
Duct connection type	Circular
Motor type	EC

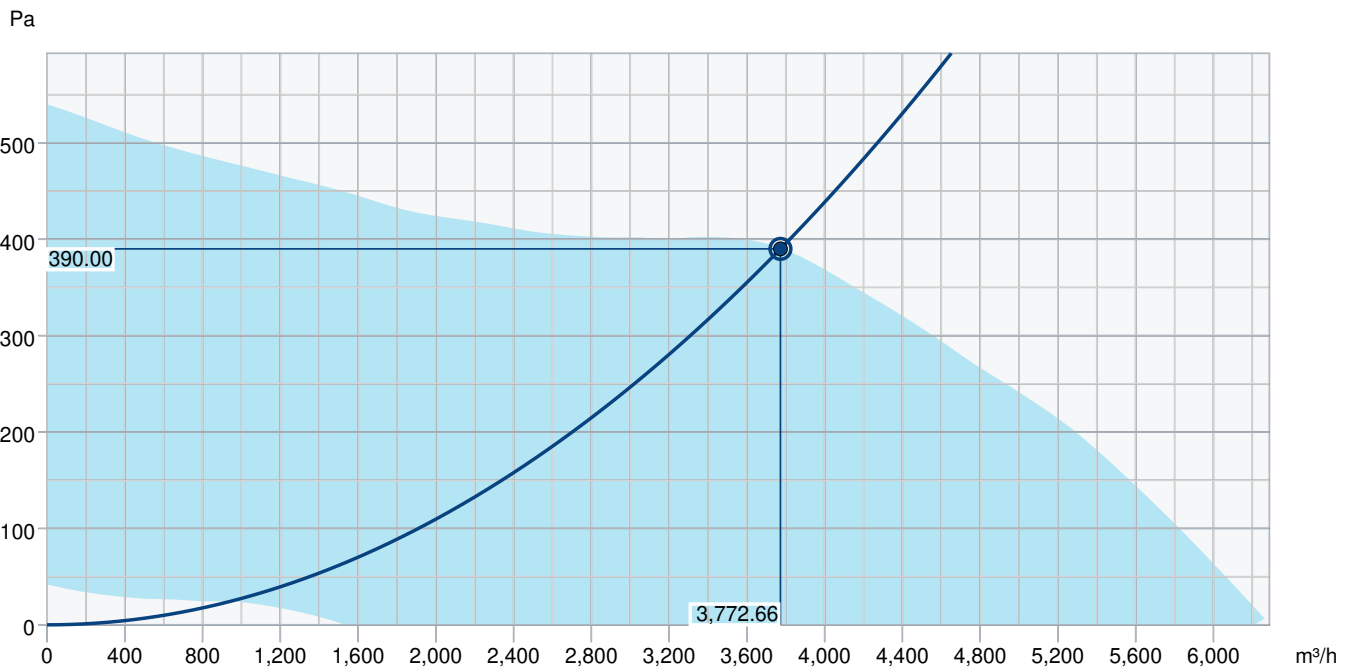
Dimension



Wiring



Performance curve



Hydraulic data

Required air flow	3,773 m³/h
Required static pressure	390 Pa
Working air flow	3,773 m³/h
Working static pressure	390 Pa
Air density	1.204 kg/m³
Power	694.6 W
Fan control - RPM	1,917 rpm
Current	2.98 A
SFP	0.663 kW/m³/s
Control voltage	10.0 V
Supply voltage	230 V

Sound power level		63	125	250	500	1k	2k	4k	8k	Total
Inlet	dB(A)	54	76	75	77	79	76	69	61	84
Outlet	dB(A)	69	74	83	80	81	76	69	60	87
Surrounding	dB(A)	29	45	60	62	58	55	52	35	65
Sound pressure level at 3m (20m² Sabine)	dB(A)	-	-	-	-	-	-	-	-	58
Sound pressure level at 3m free field	dB(A)	-	-	-	-	-	-	-	-	44

Accessories

CXE/AVC Modbus (37256)

EC-Basic-H humidity (24807)

EC-Basic-U universal 0-10V (24806)

EC-Vent control board (3115)

MTP 10, 10K, Speed control (32731)

Potentiometer MTP 20, 0-10V (310220)

REV-3POL/03-7.5kW R/Y (33978)

Step switch S-5EC-2, 0-10V (449084)

CO2RT-R-D Transmitter (6993)

Presence detector/IR24-P (6995)

Safety switch 2-pole grey (210679)

CB 400-6,0 400V/2 Duct heater (5391)

CBM 400-9,0 400V/3 Duct heater (5487)

CWK 400-3-2,5 Duct cooler,circ (30026)

FGR 400 Filter cassette (1823)

LDC 400-900 Silencer (5198)

VBC 400-2 Water heating batt (5462)

VBF 400 Water heating battery (1736)

EC-Basic-CO2 and temperature (24808)

EC-Basic-T temperature (24805)

EC-Selector (9908)

EC-Vent Room Unit (3018)

MTV-1/010 Controller 0..10V+ (30650)

Pressure controller PCA 1000D2 (76739)

SG 400 Protection guard (5613)

VKK-400 Back draft damper (1629)

HR1 Room Humidistat (215150)

RT 0-30 Room Thermostat (5151)

CB 400-12,0 400V/3 Duct heater (5393)

CB 400-9,0 400V/3 Duct heater (5392)

CBMF 400-9,0 400V/3 Duct heater (12511)

FFR 400 Filter cassette (1783)

FK 400 Fast clamp (1615)

RSK-400 Back draft dmp. (9973)

VBC 400-3 Water heating batt (9845)

Room hygrostat HR-S (286251)

Documents

INSTALLATION_OPERATION_AND_MAINTENANCE_INSTRUCTION_K_KV_PRIO_273896_EN_008.PDF

MODBUS LITE V5.01 parameter specification.pdf

COMMISSIONING_RECCORD_FANS_EN.PDF