

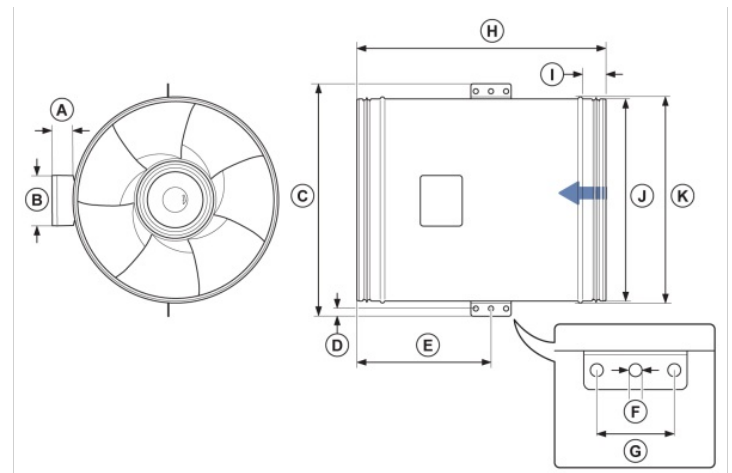


## Technical parameters

Nominal data	
Voltage (nominal)	230 V
Frequency	50 Hz
Phases	1~
Input power	332 W
Input current	1.76 A
Impeller speed	1,363 rpm
Air flow	max ; 3,812; m <sup>3</sup> /h
Capacitance of capacitor	6 µF
Temperature of transported air	max 50 °C
Max temperature of transported air, when speed controlled	50 °C
Sound data	
Sound pressure level at 3m (20m <sup>2</sup> Sabin)	58 dB(A)
Protection/Classification	
Enclosure class, motor	IP44
Insulation class	F
Data according to ErP	
ErP ready	ErP 2018
Dimensions and weights	
Duct dimension; Circular, inlet	315 mm
Duct dimension; Circular, outlet	315 mm
Weight	15.52 kg
Others	
Duct connection type	Circular
Motor type	AC

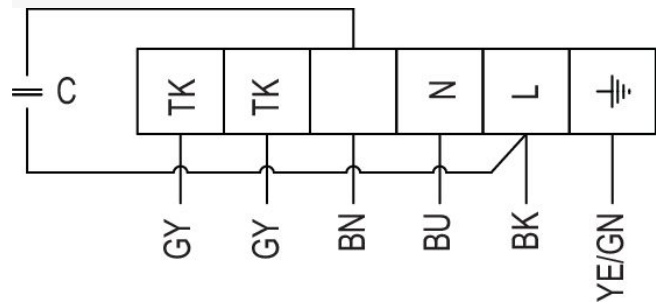
## Dimension

A	B	C	D	E	ØF	G	H	I	ØJ	ØK
45	100	459	15	357	10	60	676	45	313	407

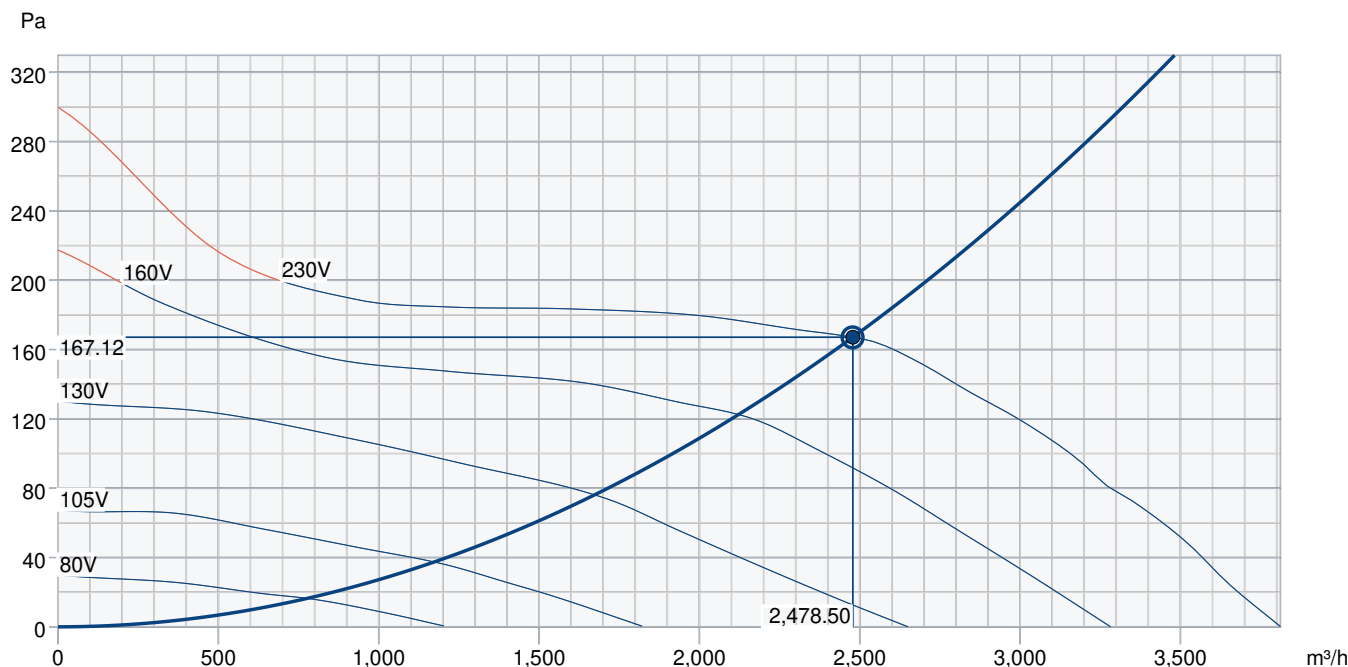


## Wiring

Sign	Color
YE	Yellow
BU	Blue
GN	Green
BN	Brown
BK	Black
GY	Grey



## Performance curve



Hydraulic data										
Required air flow	2,478 m³/h									
Required static pressure	167 Pa									
Working air flow	2,478 m³/h									
Working static pressure	167 Pa									
Air density	1.204 kg/m³									
Power	322.3 W									
Fan control - RPM	1,368 rpm									
Current	1.70 A									
SFP	0.468 kW/m³/s									
Control voltage	230.0 V									
Supply voltage	230 V									
Sound power level		63	125	250	500	1k	2k	4k	8k	Total
Inlet	dB(A)	58	75	72	71	69	65	58	48	79
Outlet	dB(A)	55	71	74	70	69	64	57	46	78
Surrounding	dB(A)	24	55	60	61	56	50	46	28	65
Sound pressure level at 3m (20m² Sabine)	dB(A)	-	-	-	-	-	-	-	-	58
Sound pressure level at 3m free field	dB(A)	-	-	-	-	-	-	-	-	44
Accessories										

## Accessories

Frequency converter FRQ5SE-6A (37421)

Motor protect. switch S-ET 10E (161205)

REE 2 Speed control (5316)

REU 3 Speed control (5005)

RTRE 3 Speed control (5009)

VKK-315 Back draft damper (1628)

CO2RT-R-D Transmitter (6993)

Frequency converter FRQSE-6A (37419)

MicroREX D21 Plus Time Switch (17822)

RT 0-30 Room Thermostat (5151)

T 120 Timer (5165)

CB 315-3,0 230V/1 Duct heater (5386)

CBM 315-9,0 400V/3 Duct heater (5485)

CWK 315-3-2,5 Duct cooler,circ (30025)

FGR 315 Filter cassette (1818)

LDC 315-900 Silencer (5197)

VBC 315-2 Water heating batt (5461)

VBF 315 Water heating battery (1734)

Room hygrostat HR-S (286251)

Motor protect. switch S-ET 10 (161199)

RE 3 Speed control (5001)

REPT 6 Digital regulator (5698)

REV-5POL/05-7,5kW R/Y (33979)

SG 315 Protection guard (5611)

CB 315-6,0 400V/2 Duct heater (5374)

DTV500A (96807)

HR1 Room Humidistat (215150)

Presence detector/IR24-P (6995)

Safety switch 2-pole grey (210679)

CB 315-12,0 400V/3 Duct heater (5387)

CB 315-9,0 400V/3 Duct heater (5375)

CBMF 315-9,0 400V/3 Duct heater (12354)

FFR 315 Filter cassette (1779)

FK 315 Fast clamp (1613)

RSK-315 Back draft damper (5604)

VBC 315-3 Water heating batt (9844)

VK-30 Louvre shutter (5641)

## Documents

INSTALLATION\_OPERATION\_AND\_MAINTENANCE\_INSTRUCTION\_K\_KV\_PRIO\_273896\_EN\_008.PDF

COMMISSIONING\_RECCORD\_FANS\_EN.PDF