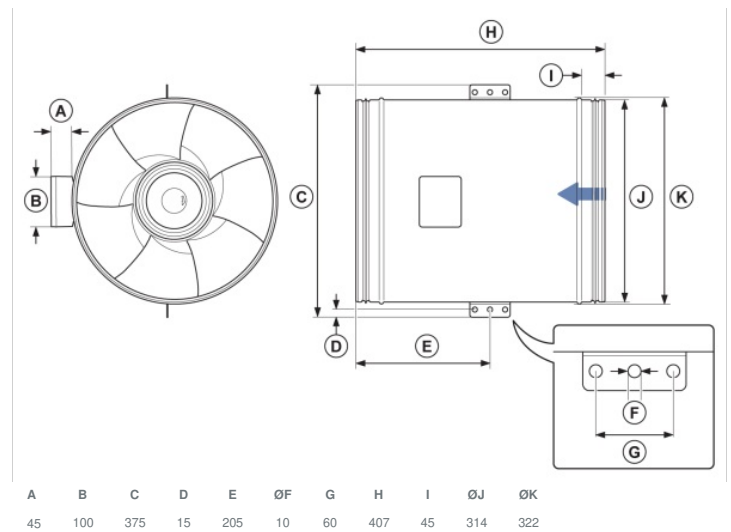




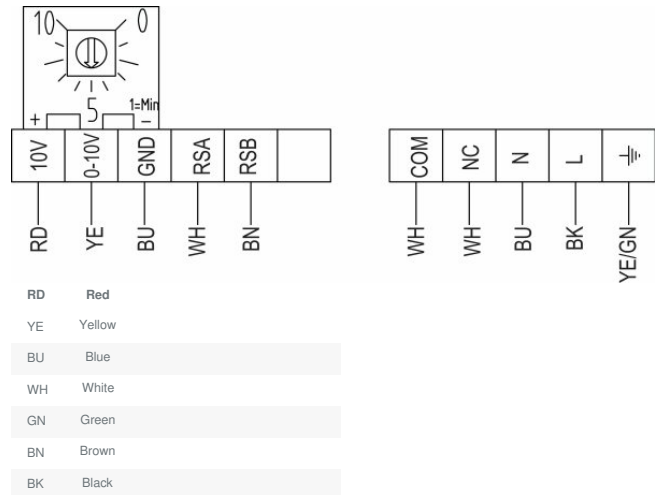
Technical parameters

Nominal data	
Voltage (nominal)	230 V
Frequency	60; 50 Hz
Phases	1~
Input power	528 W
Input current	2.32 A
Impeller speed	2,446 rpm
Air flow	max ; 3,784; m ³ /h
Temperature of transported air	max 55 °C
Max temperature of transported air, when speed controlled	55 °C
Sound data	
Sound pressure level at 3m (20m ² Sabin)	56 dB(A)
Protection/Classification	
Enclosure class, motor	IP54
Insulation class	F
Data according to ErP	
ErP ready	ErP 2018
Dimensions and weights	
Duct dimension; Circular, inlet	315 mm
Duct dimension; Circular, outlet	315 mm
Weight	8.52 kg
Others	
Duct connection type	Circular
Motor type	EC

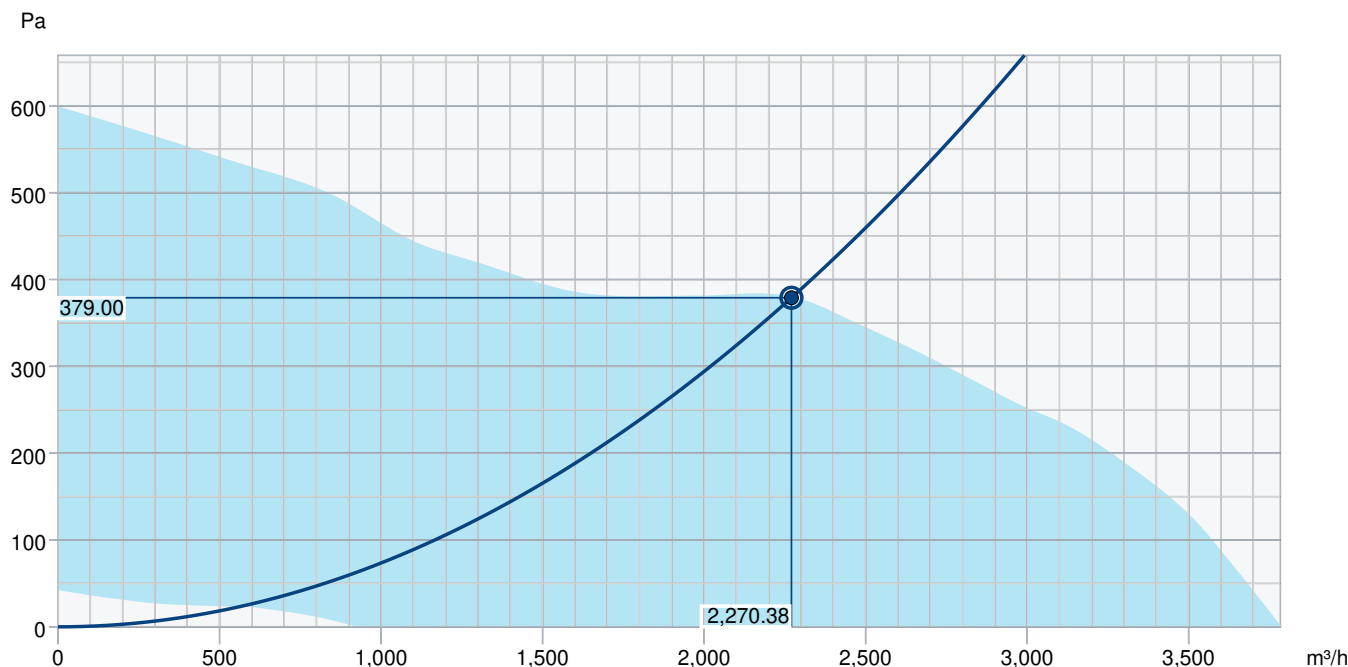
Dimension



Wiring



Performance curve



Hydraulic data										
Required air flow	2,270 m³/h									
Required static pressure	379 Pa									
Working air flow	2,270 m³/h									
Working static pressure	379 Pa									
Air density	1.204 kg/m³									
Power	440.6 W									
Fan control - RPM	2,501 rpm									
Current	1.90 A									
SFP	0.699 kW/m³/s									
Control voltage	10.0 V									
Supply voltage	230 V									
Sound power level		63	125	250	500	1k	2k	4k	8k	Total
Inlet	dB(A)	51	73	72	77	80	78	71	62	84
Outlet	dB(A)	60	64	75	76	78	76	70	61	83
Surrounding	dB(A)	15	37	52	60	58	54	51	37	63
Sound pressure level at 3m (20m² Sabine)	dB(A)	-	-	-	-	-	-	-	-	56
Sound pressure level at 3m free field	dB(A)	-	-	-	-	-	-	-	-	42
Accessories										

Accessories

CXE/AVC Modbus (37256)	EC-Basic-CO2 and temperature (24808)
EC-Basic-H humidity (24807)	EC-Basic-T temperature (24805)
EC-Basic-U universal 0-10V (24806)	EC-Selector (9908)
EC-Vent control board (3115)	EC-Vent Room Unit (3018)
MTP 10, 10K, Speed control (32731)	MTV-1/010 Controller 0..10V+ (30650)
Potentiometer MTP 20, 0-10V (310220)	Pressure controller PCA 1000D2 (76739)
REV-3POL/03-7.5kW R/Y (33978)	SG 315 Protection guard (5611)
Step switch S-5EC-2, 0-10V (449084)	VKK-315 Back draft damper (1628)
CB 315-6,0 400V/2 Duct heater (5374)	CO2RT-R-D Transmitter (6993)
HR1 Room Humidistat (215150)	Presence detector/IR24-P (6995)
RT 0-30 Room Thermostat (5151)	Safety switch 2-pole grey (210679)
CB 315-12,0 400V/3 Duct heater (5387)	CB 315-3,0 230V/1 Duct heater (5386)
CB 315-9,0 400V/3 Duct heater (5375)	CBM 315-9,0 400V/3 Duct heater (5485)
CBMF 315-9,0 400V/3 Duct heater (12354)	CWK 315-3-2,5 Duct cooler, circ (30025)
FFR 315 Filter cassette (1779)	FGR 315 Filter cassette (1818)
FK 315 Fast clamp (1613)	LDC 315-900 Silencer (5197)
RSK-315 Back draft damper (5604)	VBC 315-2 Water heating batt (5461)
VBC 315-3 Water heating batt (9844)	VBF 315 Water heating battery (1734)
VK-30 Louvre shutter (5641)	Room hygrostat HR-S (286251)

Documents

INSTALLATION_OPERATION_AND_MAINTENANCE_INSTRUCTION_K_KV_PRIO_273896_EN_008.PDF
 MODBUS LITE V5.01 parameter specification.pdf
 COMMISSIONING_RECORD_FANS_EN.PDF