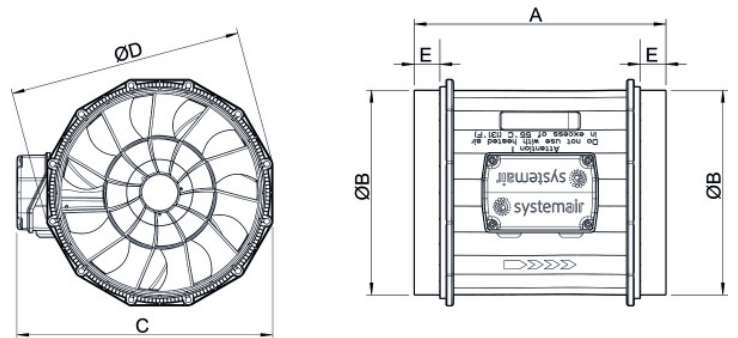




Technical parameters

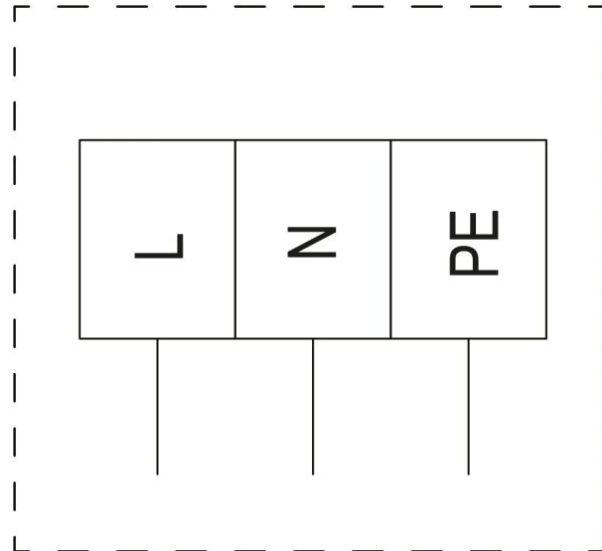
Nominal data	
Voltage (nominal)	230 V
Frequency	50 Hz
Phases	1~
Input power	68 W
Input current	0.316 A
Impeller speed	2,605 rpm
Air flow	max 954 m ³ /h
Capacitance of capacitor	1.5 µF
Temperature of transported air	max 55 °C
Max temperature of transported air, when speed controlled	55 °C
Sound data	
Sound pressure level at 3m (20m ² Sabin)	43 dB(A)
Protection/Classification	
Enclosure class, motor	IP44
Insulation class	B
Data according to ErP	
ErP ready	ErP 2018
Dimensions and weights	
Duct dimension; Circular, inlet	200 mm
Duct dimension; Circular, outlet	200 mm
Weight	3.4 kg
Others	
Duct connection type	Circular
Motor type	AC

Dimension



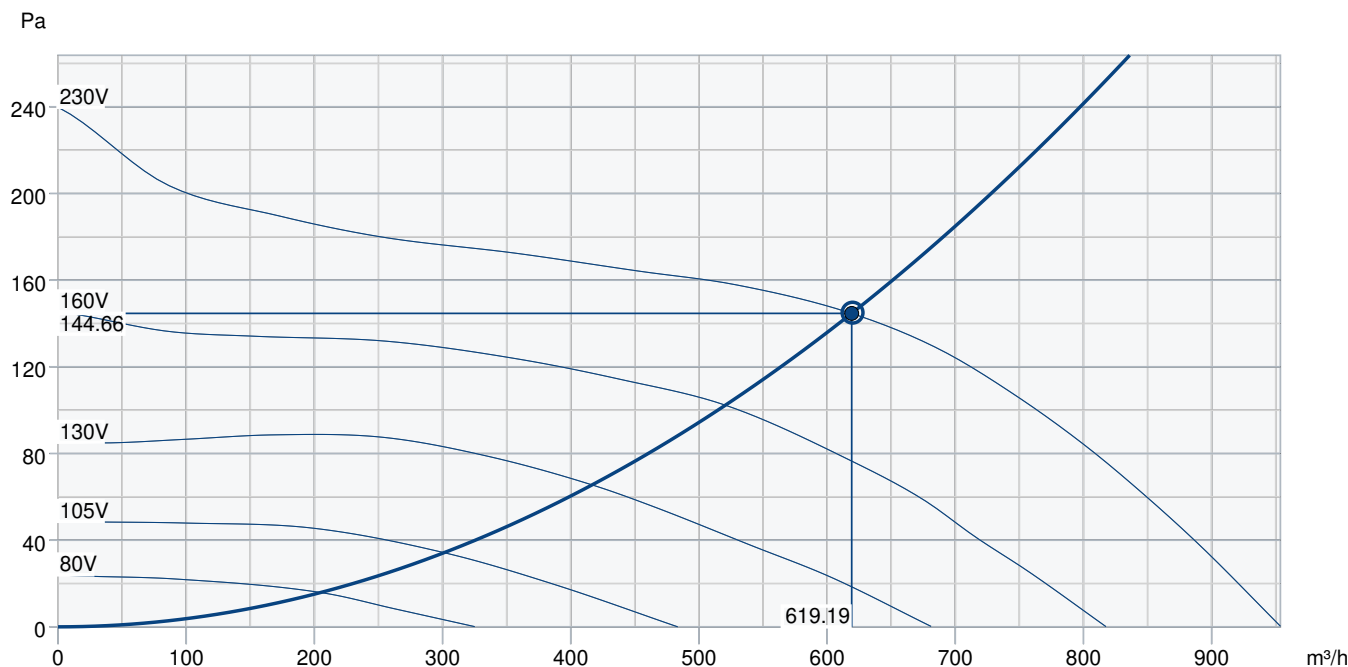
	A	øB	C	øD	E
prio 200	245	199	249	227	25

Wiring



	Function / assignment
L	Power supply 230V AC, 50...60Hz
N	Neutral conductor
PE	Protective conductor
Speed control:	Voltage controllable (See accessories in our online catalogue)
Motor protection:	By integrated thermal contacts

Performance curve



Hydraulic data	
Required air flow	620 m³/h
Required static pressure	145 Pa
Working air flow	619 m³/h
Working static pressure	145 Pa
Air density	1.204 kg/m³
Power	66.8 W
Fan control - RPM	2,620 rpm
Current	0.30 A
SFP	0.388 kW/m³/s
Control voltage	230.0 V
Supply voltage	230 V

Sound power level		63	125	250	500	1k	2k	4k	8k	Total
Inlet	dB(A)	39	51	65	65	62	59	55	46	70
Outlet	dB(A)	37	50	57	61	59	57	54	46	65
Surrounding	dB(A)	12	22	33	47	45	42	31	19	50
Sound pressure level at 3m (20m² Sabine)	dB(A)	-	-	-	-	-	-	-	-	43
Sound pressure level at 3m free field	dB(A)	-	-	-	-	-	-	-	-	29

Accessories

- Frequency converter FRQ5SE-6A (37421)
- REE 1 Speed control (5314)
- RETP 6 Temp/Pressure regulator (32293)
- REV-3POL/03-7.5kW R/Y (33978)
- VKK-200 Back draft damper (1626)
- DTV500A (96807)
- HR1 Room Humidistat (215150)
- Presence detector/IR24-P (6995)
- RT 0-30 Room Thermostat (5151)
- VBF 200 Water heating battery (1732)
- CB 200-3,0 230V/1 Duct heater (5370)
- CB 200-5,0 400V/2 Duct heater (5371)
- CBMF 200-3,0 230V/1 Duct heate (12245)
- CWK 200-3-2,5 Duct cooler.circ (30023)
- FGR 200 Filter cassette (1812)
- LDC 200-300 Silencer (53369)
- LDC 200-900 Silencer (5195)
- VBC 200-2 Water heating batt (5459)
- VK-20 Louvre shutter (87686)
- Room hygrostat HR-S (286251)

- RE 1,5 Speed control (5000)
- REPT 6 Digital regulator (5698)
- REU 1.5 Speed control (5004)
- SG 200 Protection guard (5609)
- CO2RT-R-D Transmitter (6993)
- Frequency converter FRQSE-6A (37419)
- IGK-200 Wall Grid (1633)
- prio 200 mount. bracket compl. (79315)
- T 120 Timer (5165)
- CB 200-2,1 230V/1 Duct heater (5384)
- CB 200-3,0 400V/2 Duct heater (5294)
- CBM 200-5,0 400V/2 Duct heater (5483)
- CBMF 200-5,0 400V/2 Duct heate (12246)
- FFR 200 Filter cassette (1773)
- FK 200 Fast clamp (1611)
- LDC 200-600 Silencer (5194)
- RSK-200 Back draft damper (5602)
- VBC 200-3 Water heating batt (9841)
- IGC-200 Intake grille (76877)

Documents

- imo_prioair_en_003
- prio_air200_o_rahmen.dxf
- EU DECLARATION OF CONFORMITY_PRIO_PRIO-XP_EN_007.PDF

