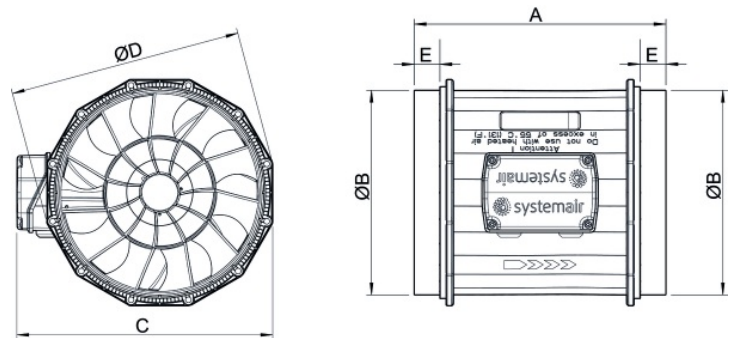




Technical parameters

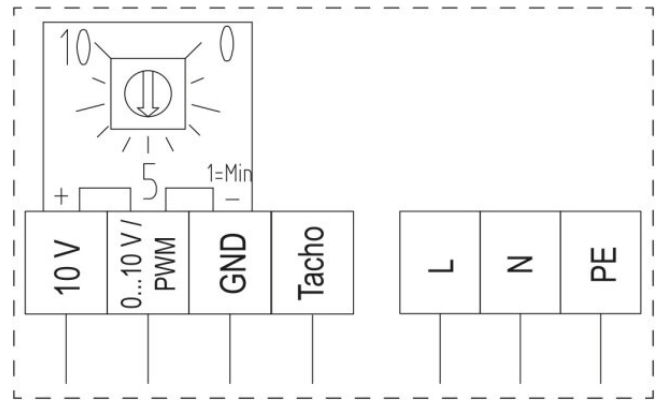
Nominal data	
Voltage (nominal)	230 V
Frequency	50; 60 Hz
Phases	1~
Input power	80 W
Input current	0.68 A
Impeller speed	4,257 rpm
Air flow	max 770 m³/h
Temperature of transported air	max 55 °C
Max temperature of transported air, when speed controlled	55 °C
Sound data	
Sound pressure level at 3m (20m² Sabin)	47 dB(A)
Protection/Classification	
Enclosure class, motor	IP44
Insulation class	B
Data according to ErP	
ErP ready	Not ErP relevant
Dimensions and weights	
Duct dimension; Circular, inlet	160 mm
Duct dimension; Circular, outlet	160 mm
Weight	1.6 kg
Others	
Duct connection type	Circular
Motor type	EC

Dimension



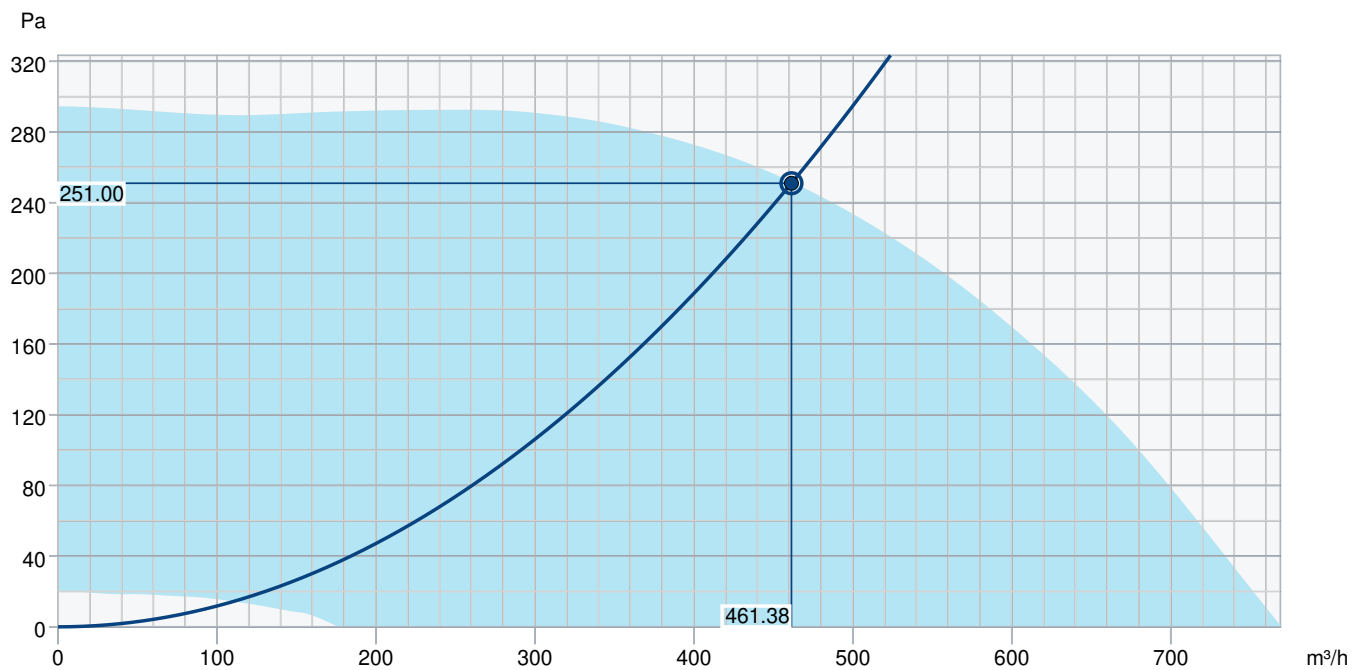
	A	ØB	C	ØD	E
prio 160	220	159	211	187	25

Wiring



Terminal	Function / assignment
L	Power supply 230V AC, 50...60 Hz, see name plate for voltage range
N	Neutral conductor
PE	Protective conductor
0...10V / PWM	Controller input 0...10V or PWM
10V	Voltage output 10V / Short-circuit-proof power supply for external devices (e.g. poti) prio 150EC, prio 160EC → I max=1.1mA prio 200EC, prio 250EC → I max=10mA
GND	GND-connection of the controller interface
Tacho	Speed output: Open Collector, 1 impulse per revolution, electrically isolated, Isink_max =10mA

Performance curve



Hydraulic data										
Required air flow	461 m³/h									
Required static pressure	251 Pa									
Working air flow	461 m³/h									
Working static pressure	251 Pa									
Air density	1.204 kg/m³									
Power	77.0 W									
Fan control - RPM	4,290 rpm									
Current	0.70 A									
SFP	0.601 kW/m³/s									
Control voltage	10.0 V									
Supply voltage	230 V									
Sound power level		63	125	250	500	1k	2k	4k	8k	Total
Inlet	dB(A)	27	40	56	62	63	66	60	50	69
Outlet	dB(A)	29	41	57	63	64	67	62	51	71
Surrounding	dB(A)	25	12	44	47	55	60	53	47	62
Sound pressure level at 3m (20m² Sabine)	dB(A)	-	-	-	-	-	-	-	-	55
Sound pressure level at 3m free field	dB(A)	-	-	-	-	-	-	-	-	41
Accessories										

Accessories

CXE/AVC Modbus (37256)	EC-Basic-CO2 and temperature (24808)
EC-Basic-H humidity (24807)	EC-Basic-T temperature (24805)
EC-Basic-U universal 0-10V (24806)	EC-Vent control board (3115)
EC-Vent Room Unit (3018)	IGK-160 Wall Grid (1632)
MTP 10, 10K, Speed control (32731)	MTV-1/010 Controller 0..10V+ (30650)
Potentiometer MTP 20, 0-10V (310220)	REV-3POL/03-7,5kW R/Y (33978)
SG 160 Protection guard (5608)	Step switch S-SEC-2, 0-10V (449084)
VKK-160 Back draft damper (1625)	CO2RT-R-D Transmitter (6993)
HR1 Room Humidistat (215150)	Presence detector/IR24-P (6995)
prio 150/160 mount. br. compl. (79314)	R 160-100 Reducer w/seal (12079)
R 160-125 Reducer w/seal (12078)	RT 0-30 Room Thermostat (5151)
CB 160-1,2 230V/1 Duct heater (5291)	CB 160-2,1 230V/1 Duct heater (5292)
CB 160-2,7 230V/1 Duct heater (5382)	CB 160-5,0 400V/2 Duct heater (5383)
CBM 160-2,1 230V/1 Duct heater (5482)	CBMF 160-2,1 230V/1 Duct heater (12244)
CWK 160-3-2,5 Duct cooler,circ (30022)	FFR 160 Filter cassette (1770)
FGR 160 Filter cassette (1809)	FK 160 Fast clamp (1610)
LDC 160-300 Silencer (53108)	LDC 160-600 Silencer (5192)
LDC 160-900 Silencer (5193)	RSK-160 Back draft damper (5601)
THB 160 Hood w.cover pl. black (1764)	THS 160 Hood w.cover pl. black (1839)
VBC 160-2 Water heating batt (5458)	VBC 160-3 Water heating batt (9840)
VBF 160 Water heating battery (1731)	VK-15 Louvre shutter (87679)
IGC-160 Intake grille (76876)	Room hygrostat HR-S (286251)

Documents

imo_prioair_en_003

prioair160_o_rahmen.dxf

EU DECLARATION OF CONFORMITY_PRIO_PRIO-XP_EN_007.PDF